

### FEATURED MODEL

441500 Pull-Out Spray, CHROME

### ADDITIONAL MODELS

441501 Pull-Out Spray, SATIN NICKEL

### FEATURES

- Solid brass body
- Dual pull-down spray
- Ceramic disk cartridge
- 1.8 GPM flow rate
- Installation in a 1-3/8" hole
- 120 degree spout swivel
- 2-1/4" maximum deck thickness

### OPTIONAL ACCESSORIES

Deluxe Soap Dispenser:	440006 (Chrome)
Meridian Soap Dispenser:	440059 (Chrome)
Alta Soap Dispenser:	440046 (Chrome)
Milano Soap Dispenser:	440050 (Chrome)
Harvest Soap Dispenser:	440054 (Chrome)

### CODE/STANDARDS COMPLIANCE

ASME A112.18.1-2011

IAPMO listed

**AB1953 Lead Free**

Listed with California Energy Commission

### WARRANTY

BLANCO'S kitchen and bar faucets feature a LIMITED LIFETIME WARRANTY to be free of all manufacturing defects under normal use. See our complete warranty for details.

While BLANCO endeavors to provide accurate information, all dimensions are nominal, cannot be guaranteed, and are subject to change or cancellation. BLANCO assumes no responsibility for use of superseded or voided specifications.

### JOB INFORMATION

Job Name: \_\_\_\_\_

Contact: \_\_\_\_\_

Date Specified: \_\_\_\_\_

Specifier: \_\_\_\_\_

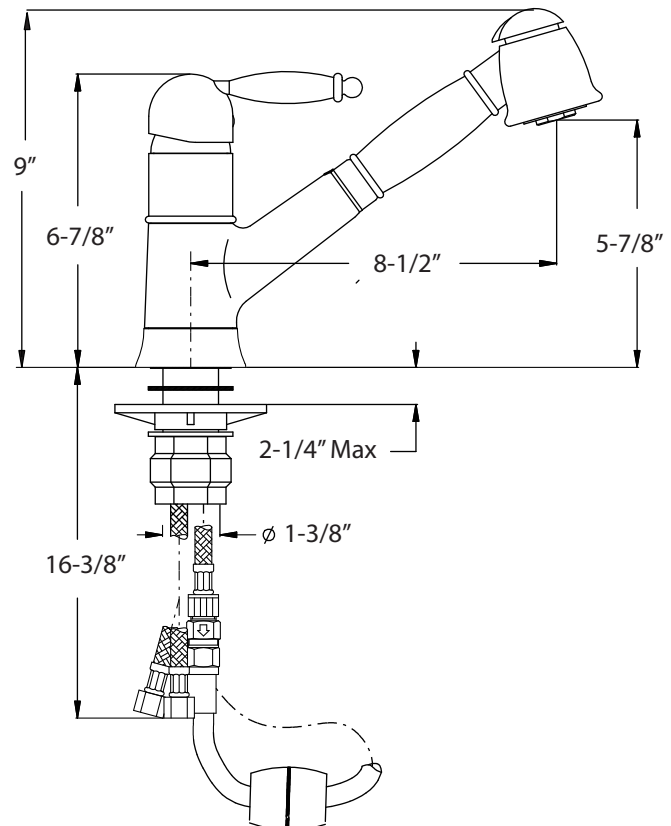
Contractor: \_\_\_\_\_



### NOMINAL DIMENSIONS

Model 441500 shown

REACH	SPOUT HEIGHT	FAUCET HEIGHT
8-1/2"	5-7/8"	9"



See next page for exploded parts drawing and parts list.

**BLANCO AMERICA**

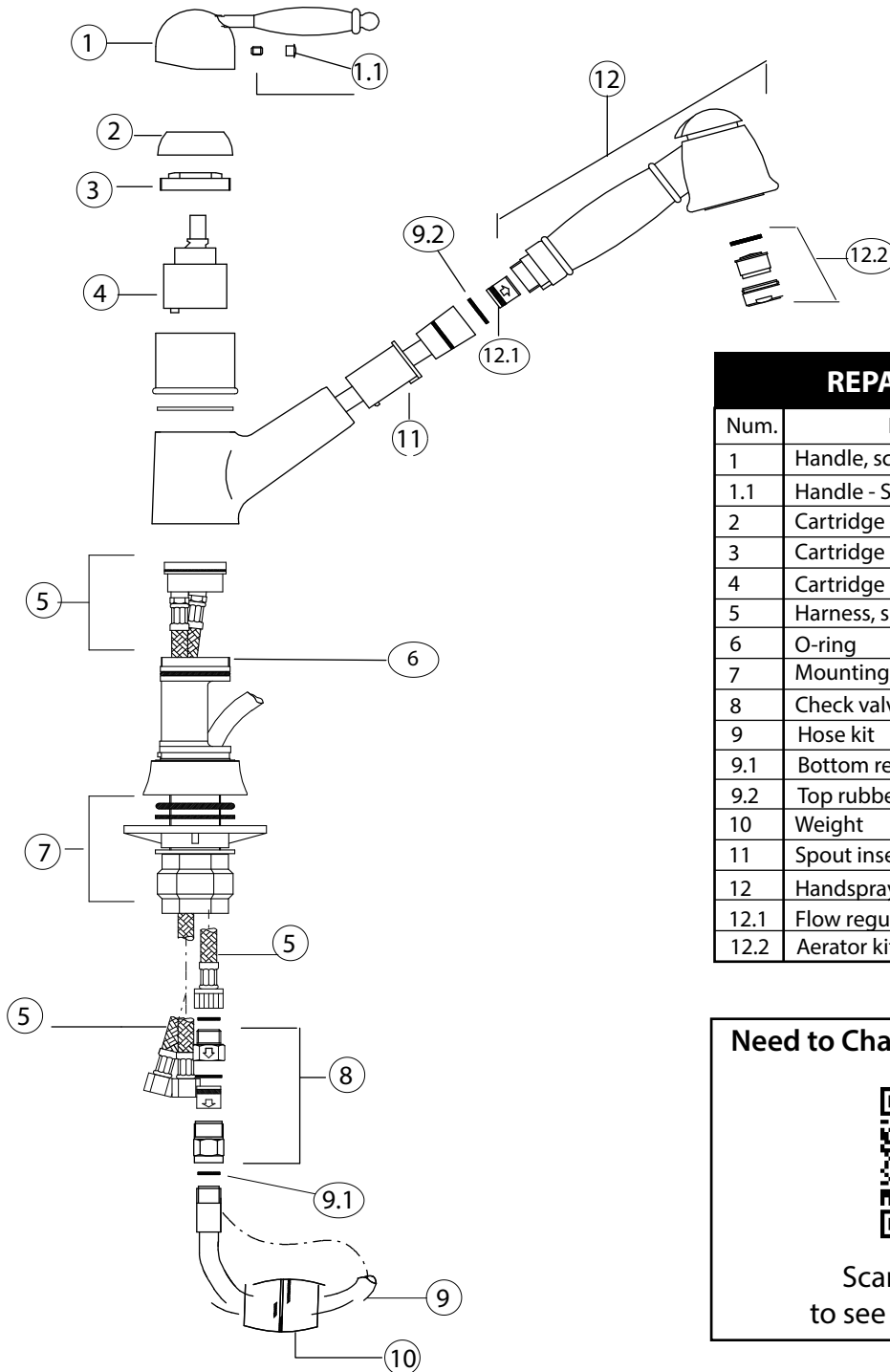
800.451.5782

www.blancoamerica.com

© 2013 BLANCO AMERICA

11/14

SPEC-004



REPAIR PART GUIDE		
Num.	Description	Part #
1	Handle, screw and cap - Chrome	441823
1.1	Handle - Screw and Cap	440758
2	Cartridge - Cap	441808
3	Cartridge Lock Nut	441809
4	Cartridge	440768
5	Harness, supply hose, supply lines	440769
6	O-ring	441824
7	Mounting nut assembly	441825
8	Check valve assembly 1.8 GPM	441830
9	Hose kit	441816
9.1	Bottom red washer	440759
9.2	Top rubber washer	440980
10	Weight	441803
11	Spout insert	441826
12	Handspray - Chrome	441828
12.1	Flow regulator 1.8 GPM	441830
12.2	Aerator kit	440766

**Need to Change a Faucet Cartridge?**

Scan this QR code  
to see our how-to video

For faucet technical support or questions,  
 please e-mail us at [faucets@blancoamerica.com](mailto:faucets@blancoamerica.com)