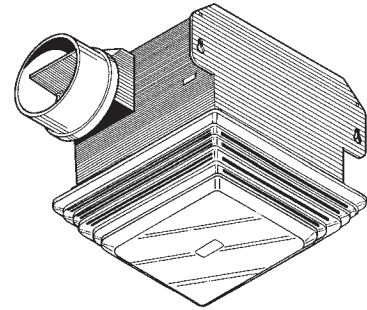


MODELS HD50L & HD80L



HEAVY DUTY FAN/LIGHTS



Quiet heavy duty ventilators built with high performance blowers.

FEATURES

GRILLE:

Matte white polymeric - blends well with any decor
Sturdy light-diffusing lens accepts up to 100W incandescent lamp. Bulb not included.

BLOWER:

Plug-in, permanently lubricated, totally enclosed motor
Centrifugal blower wheel for quiet, efficient performance
Long life motor bearings
Designed for continuous operation

HOUSING:

Rugged, 26-gage galvanized steel construction
Integral key-holed mounting brackets for easy, secure installation directly to joist
Provision for wire suspension when installed in a drop ceiling
Tapered, polymeric duct fitting with built-in backdraft damper for easy, positive duct connection and no metallic clatter

NOTE: For installation in ceilings up to 12/12 pitch

U.L. Listed for use in insulated ceilings (Type I.C.)
U.L. Listed for use over bathubs and showers when connected to a GFCI protected branch circuit
Use supply wiring rated for at least 90°C

TYPICAL SPECIFICATION

Fan/Light unit shall be Broan Model HD50L (HD80L).

Unit shall have galvanized steel housing with integral mounting brackets. Unit shall have built-in backdraft damper and shall be ducted to a roof or wall cap.

Motor to be totally enclosed, permanently lubricated, and have long-life bearings designed for continuous operation. Blower assembly shall have a centrifugal blower wheel and be removable from housing.

Air delivery shall be no less and sound level no greater than valves listed in the "Performance Ratings" charts on this sheet. All air and sound ratings shall be certified by HVI & AMCA licensed.

Unit shall be U.L. Listed for use over bathtubs and showers when connected to GFCI protected branch circuit.

Unit shall be U.L. Listed for use in insulated ceilings (Type I.C.).



Broan-NuTone LLC certifies that the models shown herein are licensed to bear the AMCA Seal. The ratings shown are based on tests and procedures performed in accordance with AMCA Publication 211 and AMCA Publication 311 and comply with the requirements of the AMCA Certified Ratings Program.



Broan-NuTone LLC Hartford, Wisconsin www.broan.com 800-558-1711

REFERENCE	QTY.	REMARKS	Project
			Location
			Architect
			Engineer
			Contractor
			Submitted by Date

PERFORMANCE RATINGS - MODELS HD50L & HD80L

AMCA LICENSED PERFORMANCE

Model No.		Static Pressure (in. wg Ps)						Volts	Watts (Fan Only)	Nominal RPM	Duct Size
		0.0	0.1	.125	.250	.375	.500				
HD50L	CFM	62	51	49	32	9	120	30	1070	4" Round	
	Sones	1.9	2.0	2.1	2.9	3.2					
HD80L	CFM	97	87	84	69	50	120	50	1380	4" Round	
	Sones	4.0	4.1	4.1	4.2	4.4					4.3

The performance ratings include the effects of inlet grille and backdraft damper in the airstream. Speed (RPM) shown is nominal. Performance is based on actual speed of test. The sound ratings are loudness values in fan sones at 5' (1.5m) in a hemispherical free field calculated per AMCA Std. 301. Values shown are for Installation Type B: Free inlet fan sone levels. Air performance shown is for Installation Type B: Free inlet, Ducted outlet.

SONES

Model Number	HVI Sones @ 0.1" Ps*	AMCA Sones @ 0.0" Ps*
HD50L	1.5	1.9
HD80L	2.5	4.0

*There is a difference between sone values certified by HVI for residential use and by AMCA for commercial/industrial use. Exact comparison of these values is not possible. This difference is mainly due to the procedures used to convert measured sound to perceived sound. ANSI S3.4, used by both HVI and AMCA, specifies a procedure for calculating loudness as perceived by a typical listener under specific conditions. HVI establishes values at a distance of 5 feet from the fan in a "spherical free field"; AMCA establishes values at a distance of 5 feet in a "hemispherical free field". HVI and AMCA have different rules for rounding sone values.

AMPS

MODEL NUMBER	AMPS**
HD50L	1.2
HD80L	1.5

**Total Connected Load



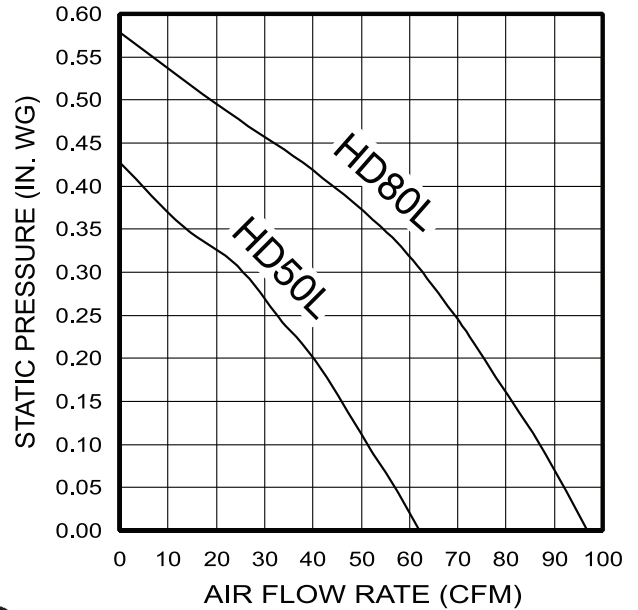
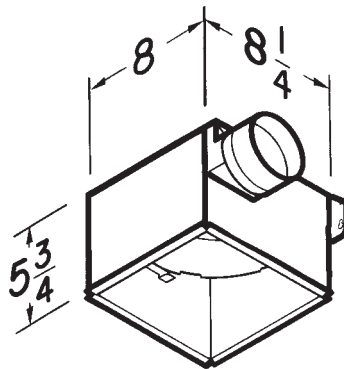
Broan-NuTone LLC certifies that the models shown herein are licensed to bear the AMCA Seal. The ratings shown are based on tests and procedures performed in accordance with AMCA Publication 211 and AMCA Publication 311 and comply with the requirements of the AMCA Certified Ratings Program.

HVI PERFORMANCE

Model	Static Pressure (Ps)	CFM	Sones
HD50L	0.10	50	1.5
	0.25	38	
HD80L	0.10	80	2.5
	0.25	65	



HVI-2100 CERTIFIED RATINGS comply with new testing technologies and procedures prescribed by the Home Ventilating Institute, for off-the-shelf products, as they are available to consumers. Product performance is rated at 0.1 in. static pressure, based on tests conducted in a state-of-the-art test laboratory. Sones are a measure of humanly-perceived loudness, based on laboratory measurements.



WEIGHT

MODEL NO.	SHIPPING WT.
HD50L	7.0 lbs.
HD80L	7.1 lbs.

