



RESIDENTIAL PLASTIC TOILET SEAT

MODEL

380TCA

DESCRIPTION :

Closed front with cover, elongated, heavy weight injection molded plastic toilet seat. Features four large, molded-in bumpers, color-matched Top-Tite® hinges with non-corrosive top-tightening bolts and wing nuts. This seat meets or exceeds Residential ANSI Standard Z-124.5.

SPECIFICATIONS :

Size:	Elongated
Material:	Plastic
Style:	Closed Front with Cover
Bumpers:	Four
Hinges:	Plastic Top-Tite®
Fastening System:	Non-Corrosive Bolts and Wing Nuts

FEATURES :

Top-Tite® Hinges

Non-Corrosive Top-Tightening Bolts and Wing Nuts

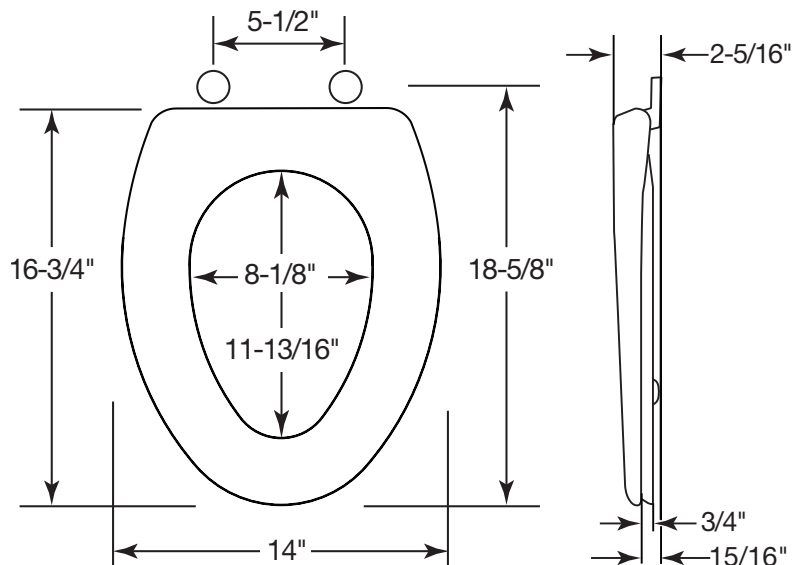


TOP-TITE® HINGES



NON-CORROSIVE
HARDWARE

DIMENSIONS :



Proudly Made in the USA

Church Seats., Sheboygan Falls, WI 53085
www.ChurchSeats.com

Phone: 920-467-2664 | 800-233-7328 Fax: 920-467-8573