

SPECIFICATIONS

OPULENCE™ SINGLE HANDLE LAVATORY FAUCET

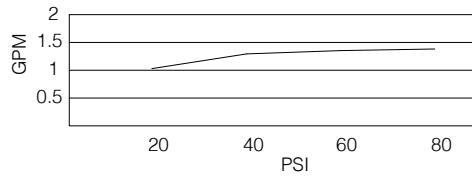
Model

D225557 (Replaces D221016 series)

Description

- Ceramic disc valve
- 4 3/4" high spout, 6" spout length, laminar flow
- With metal touch-down drain assembly
- Single hole mount
- A112.18.1M, 1.5 gpm (5.7 LPM) maximum flow rate @ 20 - 80 psi

Flow Rate



Standards



- NSF 61-9
- Energy Policy Act of 1992



NSF/ANSI 372

- ASME A112.18.1M/A112.18.1
- NSF/ANSI 372
- CSA B125.1



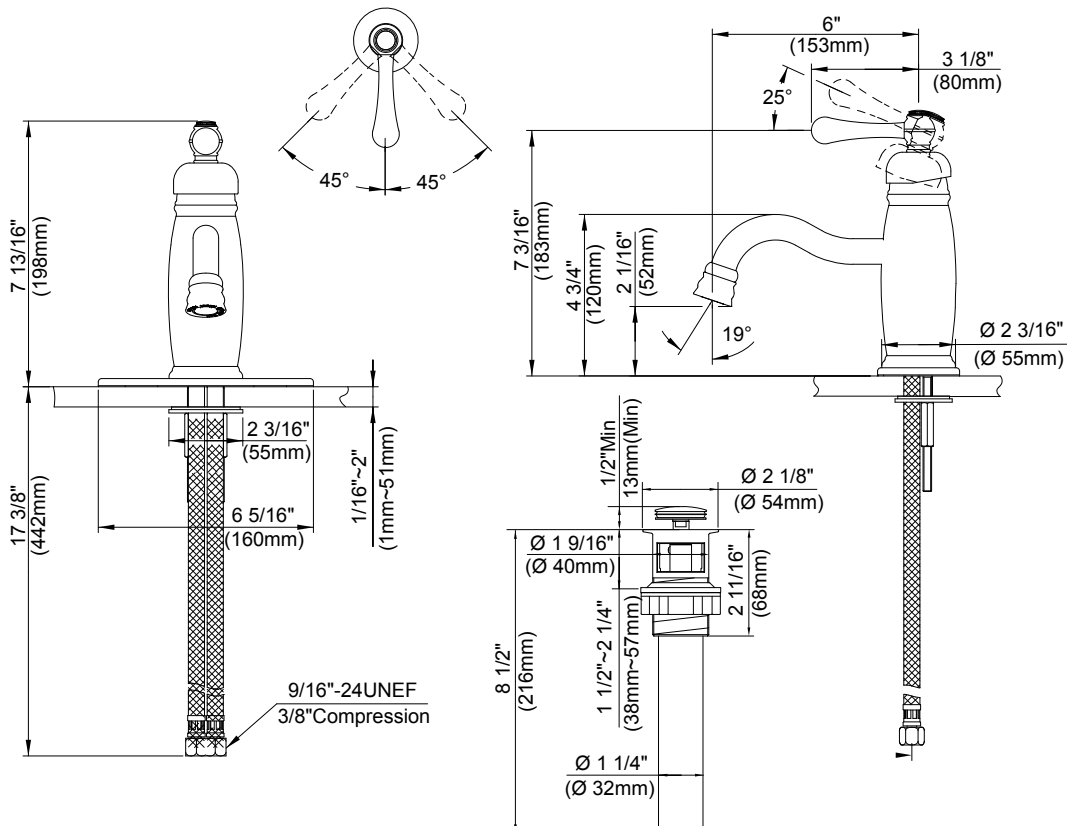
- ADA Accessibility Guidelines for Buildings and Facilities - 4.27.4 Controls and Mechanisms

Finishes Available

- Chrome
- Other: Refer to Price List for additional finish

Warranty

Danze products are covered by a manufacturer's limited "lifetime" warranty for manufacturing defects.



Submittal Information:

Job Name: _____
 Contractor: _____

Location: _____
 Contact #: _____