

## SPECIFICATIONS

### MELROSE™ SINGLE HANDLE PANTRY FAUCET

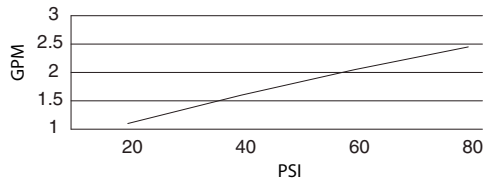
#### Model

D152012 (Replaces D401015 series)

#### Description

- Ceramic disc valve
- 11" high swivel spout, 5 1/2" spout length
- Single temperature-cold or hot water faucet
- Single hole mount

#### Flow Rate



#### Standards



Certified to NSF/ANSI 61 Section 9

- NSF 61-9
- Energy Policy Act of 1992



NSF/ANSI 372

- ASME A112.18.1/A112.18.1
- NSF/ANSI 372
- CSA B125.1



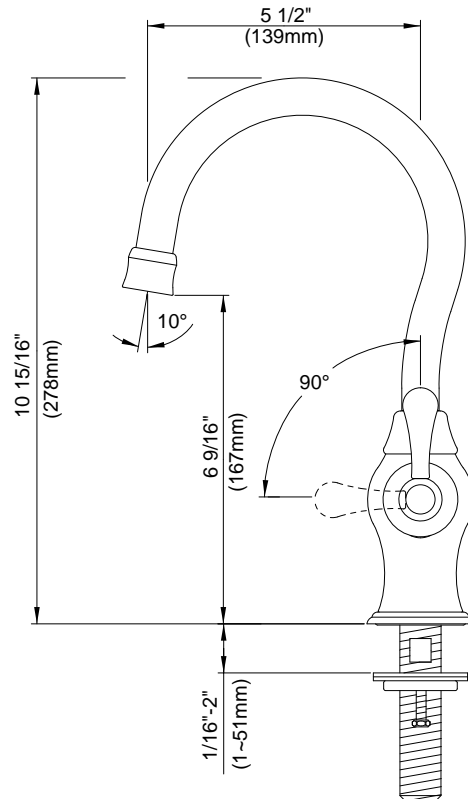
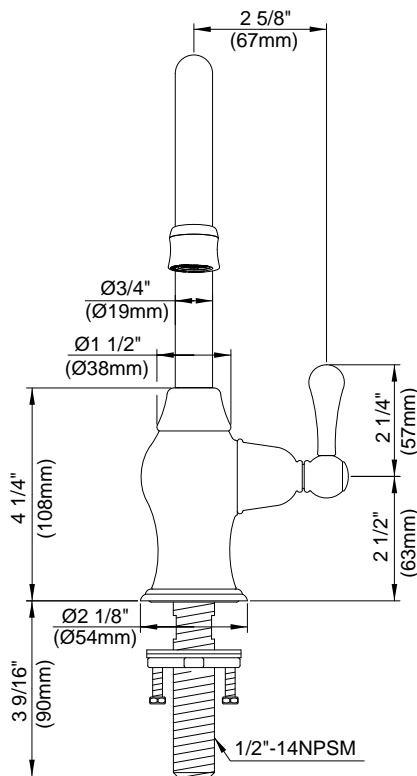
- ADA Accessibility Guidelines for Buildings and Facilities - 4.27.4 Controls and Mechanisms

#### Finishes Available

- Chrome
- Other: Refer to Price List for additional finish

#### Warranty

Danze products are covered by a manufacturer's limited "lifetime" warranty for manufacturing defects.



#### Submittal Information:

Job Name: \_\_\_\_\_  
 Contractor: \_\_\_\_\_

Location: \_\_\_\_\_  
 Contact #: \_\_\_\_\_