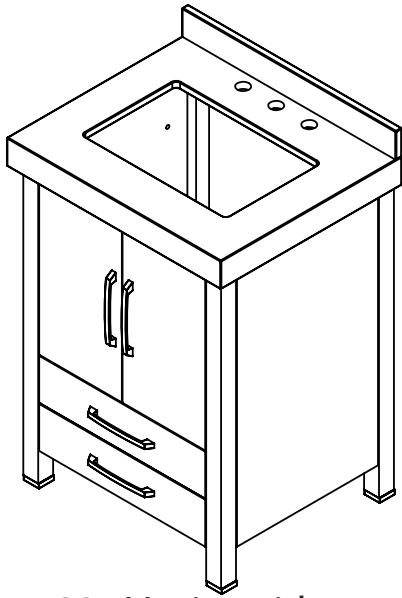
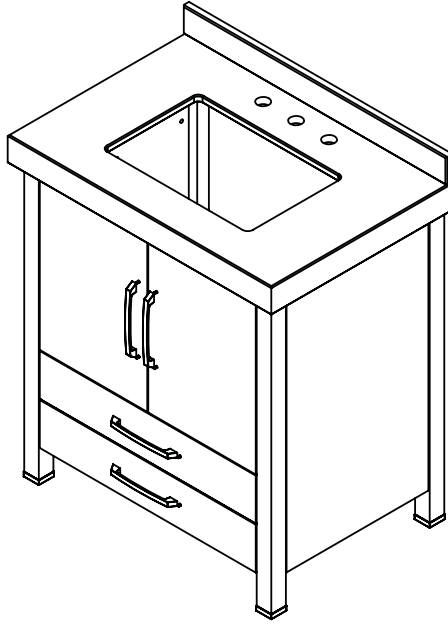




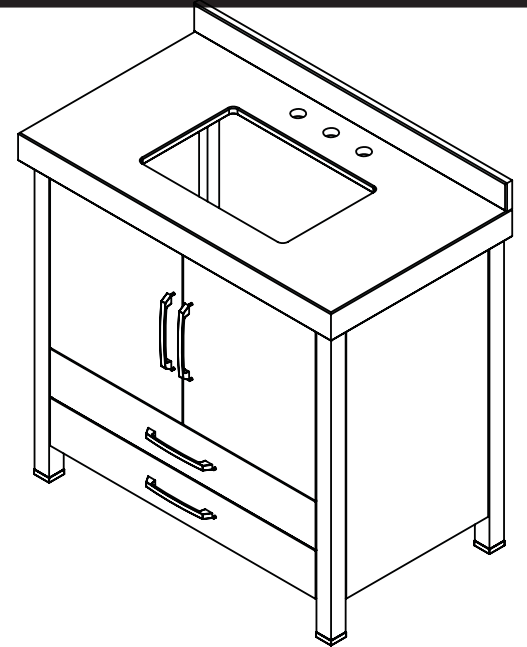
ATTACHING UNITS



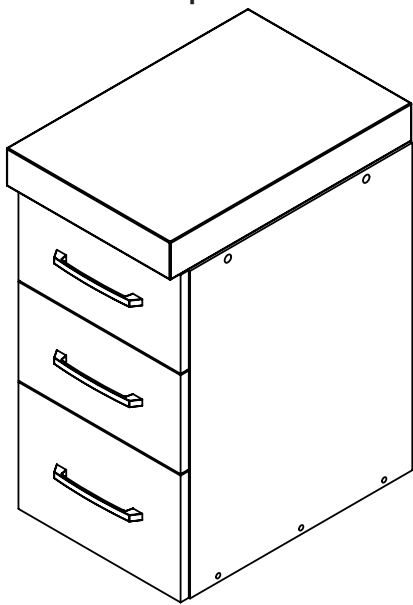
5221 Vanity with
1661 Top



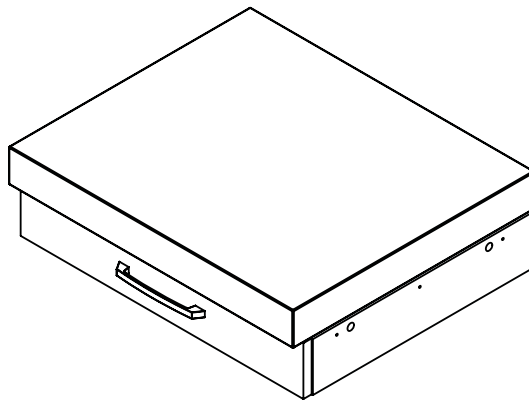
5222 Vanity with
1662 Top



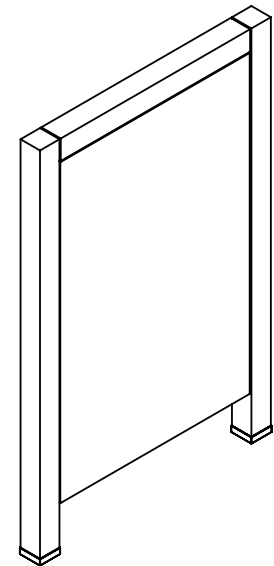
5223 Vanity with
1663 Top



5225 Drawer Console
with 1664 Top



5226 Vanity Drawer
with 1665 Top



5230 Support Leg

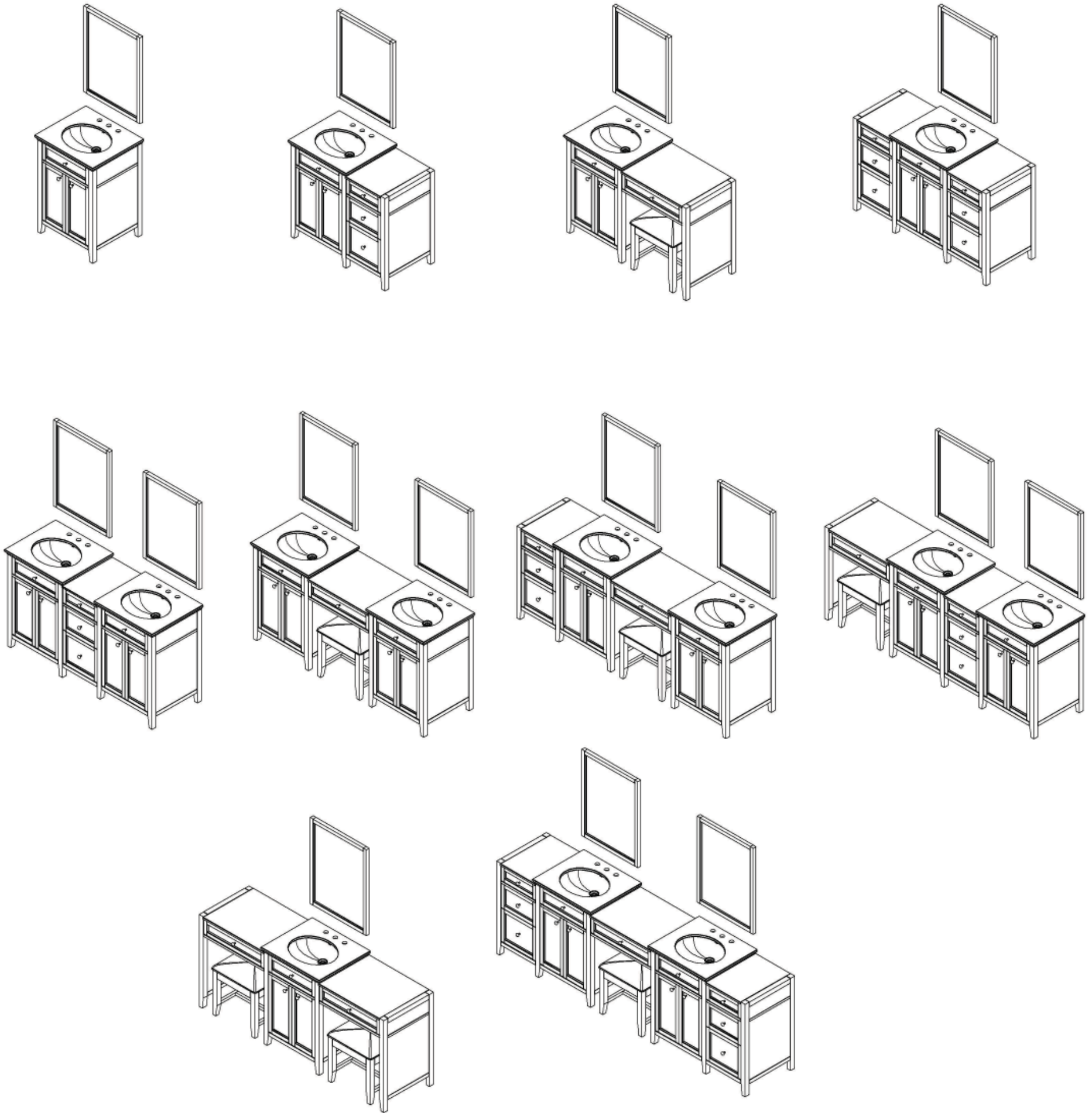
Note: Tops are to be purchased separately, they are not included with base unit. Tops Shown on items for illustration purposes only

TABLE OF CONTENTS

Installation Instructions		Page
o	Product Configurations	2
o	Installing the Vanity	4
o	Installing the Drawer Console with the Vanity and Support leg	5 & 6
o	Installing the Vanity Drawer with the Vanity and the Support Leg	6 & 7
o	Installing the Sink to the Vanity Top	8
o	Installing the top to the Vanity	9
o	Hinge Adjustment and Care and Cleaning	10
o	Limited Lifetime Warranty	11



PRODUCT CONFIGURATIONS



Note: Products shown above with optional accessories: Mirrors, Sinks, Vanity Tops and Vanity Stools available separately

Customer Service: 561-274-2110
www.decolav.com

LET YOUR DREAMS COME ALIVE, YOUR PASSIONS
BECOME REALITY, BE THE ENVY OF YOUR NEIGHBORS®



THANK YOU

Dear Valued Customer,
DECOLAV® would like to take this opportunity to thank you for your purchase – It is our sincere hope that you are completely satisfied with your new product. We welcome and look forward to helping you create another unique look for your next bathroom project.

Prior to installation, please take a moment to review all provided materials and hardware. For assistance with your new product, please contact our dedicated DECOLAV® customer service staff.

Sincerely,

Handwritten signature of Robert H. Mayer

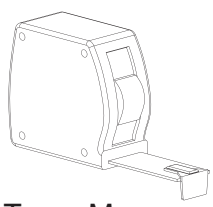
Robert H. Mayer
Chief Executive Officer and President



BEFORE YOU BEGIN

- 1. Prior to installation, unpack your new DECOLAV® product and inspect it. Keep the product in its original package until you are ready to install it.
2. The wall must be square, plumb and level.
3. Shut the water supply off when replacing an existing fixture. Preparation of the floors and walls, including all additional wall supports, may be required.
4. Observe all local plumbing and building codes.
5. It is recommended that a professional contractor be retained for the installation of this product.
6. Anchors and wall screws are not provided.

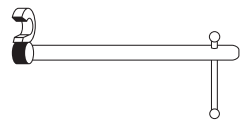
RECOMMENDED TOOLS



Tape Measure



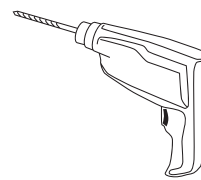
Adjustable Wrench



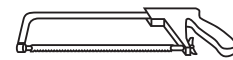
Pipe Clamp



Channel Locks



Drill



Hack saw



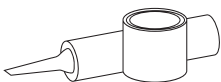
Level



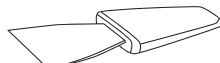
Phillips Screwdriver



Pipe Wrench



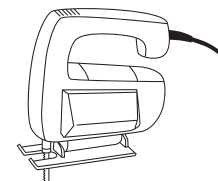
Plumber's Putty or Caulking



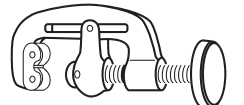
Putty Knife



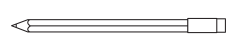
Flathead Screwdriver



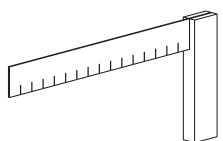
Scroll Saw



Pipe Cutter



Pencil



Square

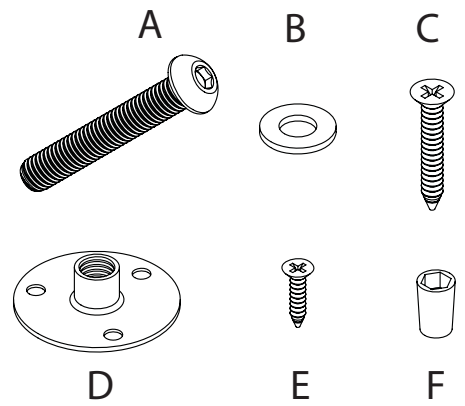


Ruler



Hookup Hardware Included with the Vanity Drawer and the Drawer Console

A	Connecting Bolt (Included with Drawer Console and Vanity Drawer)	4
B	Flat Washer (Included with Drawer Console and Vanity Drawer)	4
C	Connecting Wood Screw (Included with Drawer console and Vanity Drawer)	6
D	T-nut (Included with Drawer Console and Vanity Drawer)	4
E	Small T nut screw (included with Drawer console and Vanity Drawer)	12
F	Insert Nut, Factory installed on Support Leg	2



Note: Hookup Hardware is Only Provided with the Vanity Drawer and the Drawer Console. No Hookup Hardware is Provided with the Vanities.

INSTALLING THE VANITY

STEP #1

- o If a Vanity drawer or a Drawer console is to be hooked to the vanity skip to the hook up sections on Page 5 and 6. Follow hook up steps. Once Vanity hookup is complete follow Vanity installation instructions.
- o Carefully remove vanity from carton and place safely aside.
- o Turn off water supply to faucet.
- o Remove existing vanity.
- o Determine the location on the wall where the vanity will be installed.
- o Measure the vanity width and height and mark outline on wall.

STEP #2

- o Measure and mark the locations of the plumbing pipes and lines
- o Make a cutout in the back panel of the vanity using a circular saw or saber saw, allow enough room for the plumbing lines and pipes to pass through.
- o Drill 2, 3/16" diameter holes in the vanity back rail. These holes will be used to connect the vanity to the wall using wall anchors or screws (not included).
- o Carefully Position the vanity in the desired location.
- o Level the vanity side to side and front to back using a carpenter's level and adjust the leg levelers. The leg levelers are located at the bottom of each leg.
- o Attach vanity to wall using wall anchors or screws (not included).

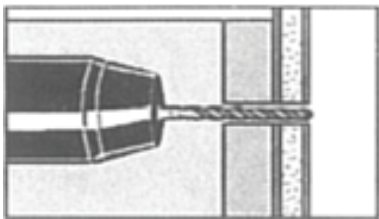
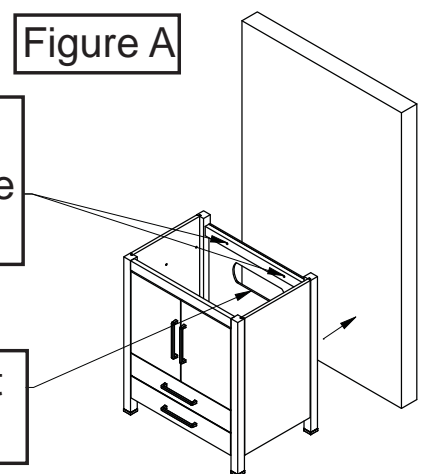


Figure B

Customer to bore holes in the back rail for attaching the vanity to the wall.

Customer to make cutout in vanity back panel



Notes:

- o We recommend two people to install this vanity



INSTALLING A DRAWER CONSOLE AND THE SUPPORT LEG TO THE VANITY

- o Unpack the Drawer Console, Vanity and Support Leg.
- o Remove the door and drawers from the Drawer console and the Vanity. (This will make installation a lot easier)
- o Look inside the Vanity, you will see 2 holes near the top of the Vanity. These holes are bored halfway through from the factory. On the side that you wish to hook the drawer console or the Vanity Drawer to, bore the holes all the way through using a .394" (10 mm) drill bit.
- o Lay Vanity and Drawer Console on the floor, back down.
- o Slide the Drawer Console next to the Vanity lining up the holes at the top.
- o Using the connecting bolts and T-nuts attach the drawer console to the Vanity. The connecting T-nuts go on the Drawer console side and the Connecting Bolts go on the Vanity side. Tighten connecting bolts and insert three small wood screws into the holes in the T-nut. This will lock the T-nut in place. Figure C
- o There will be 3 unused holes at the bottom of the Drawer console (below bottom panel). These holes are for connecting screws. Install the 3 screws through the drawer console and into the vanity using a cordless screwdriver. Figure D
- o Place the support leg next to the drawer console. Line up the the preinstalled insert nut holes with the holes in the end panel of the drawer console. Figure C
- o Using the connecting bolts attach the support leg to the Drawer console. Only 2 connecting bolts will be used. At the bottom of the drawer console there are 3 screw holes (below the bottom panel) Install screws into the support leg using a cordless screwdriver. Figure D

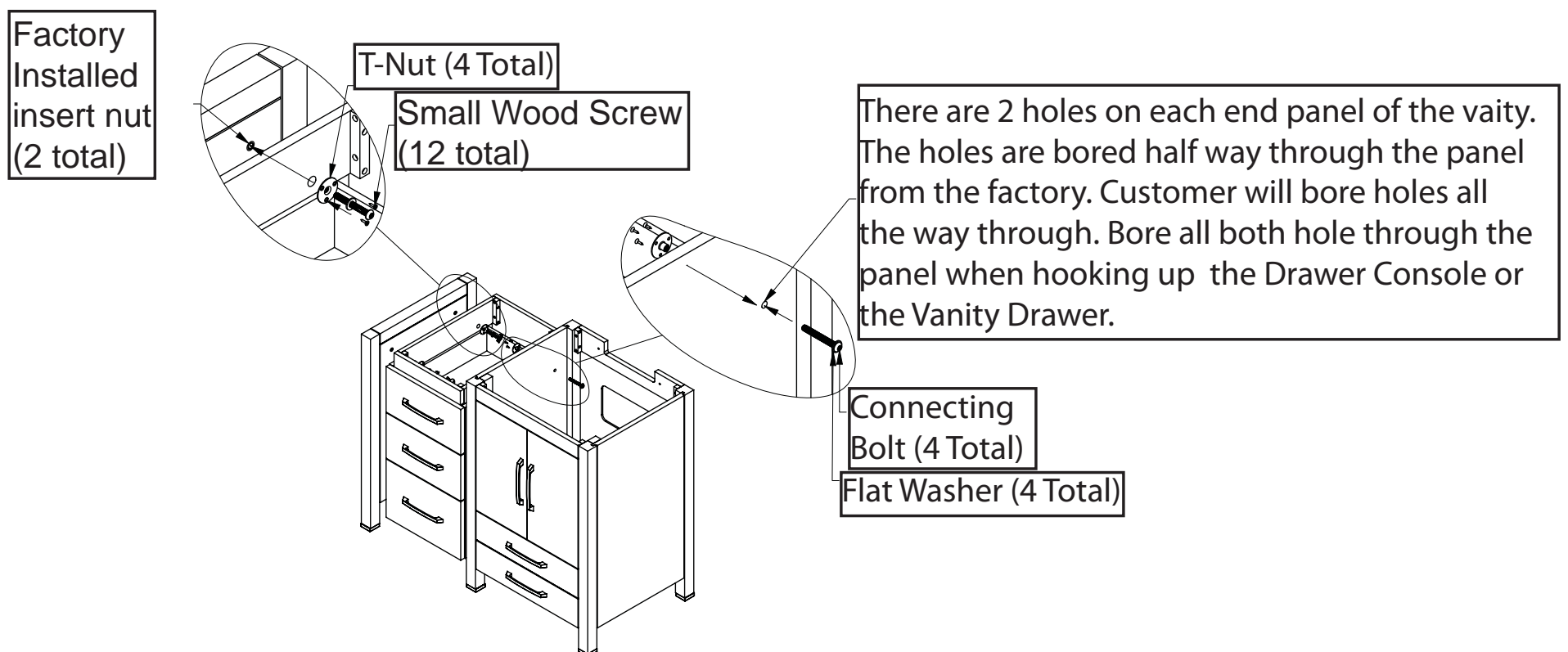
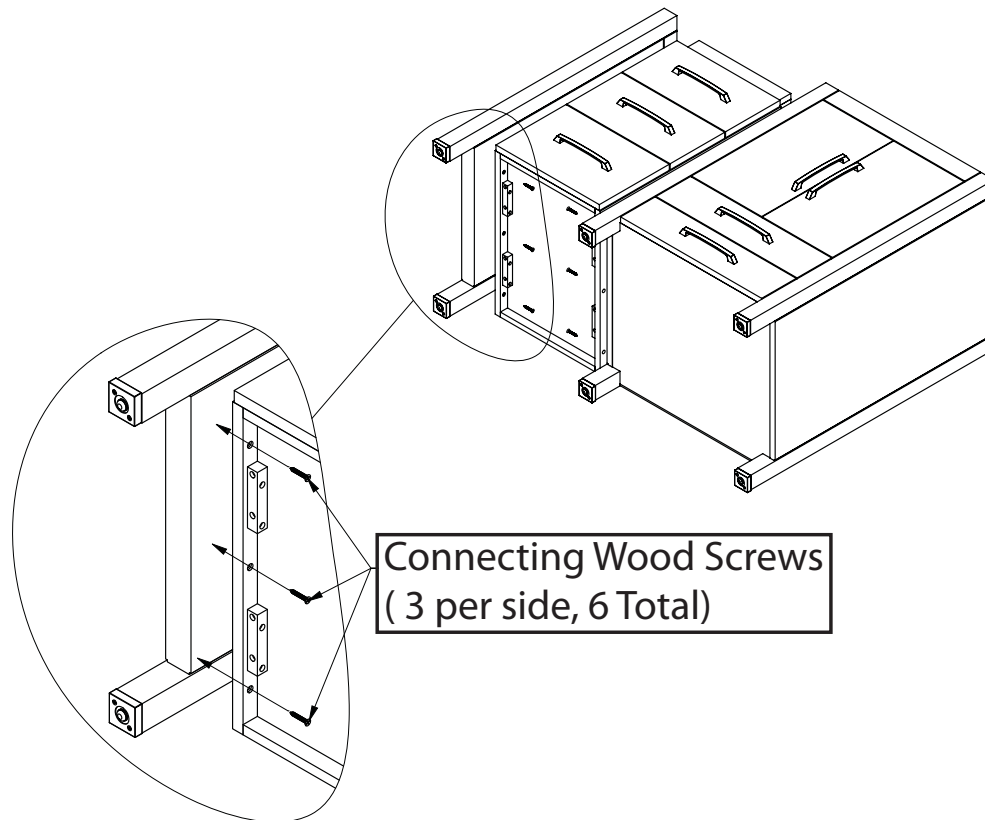


Figure C



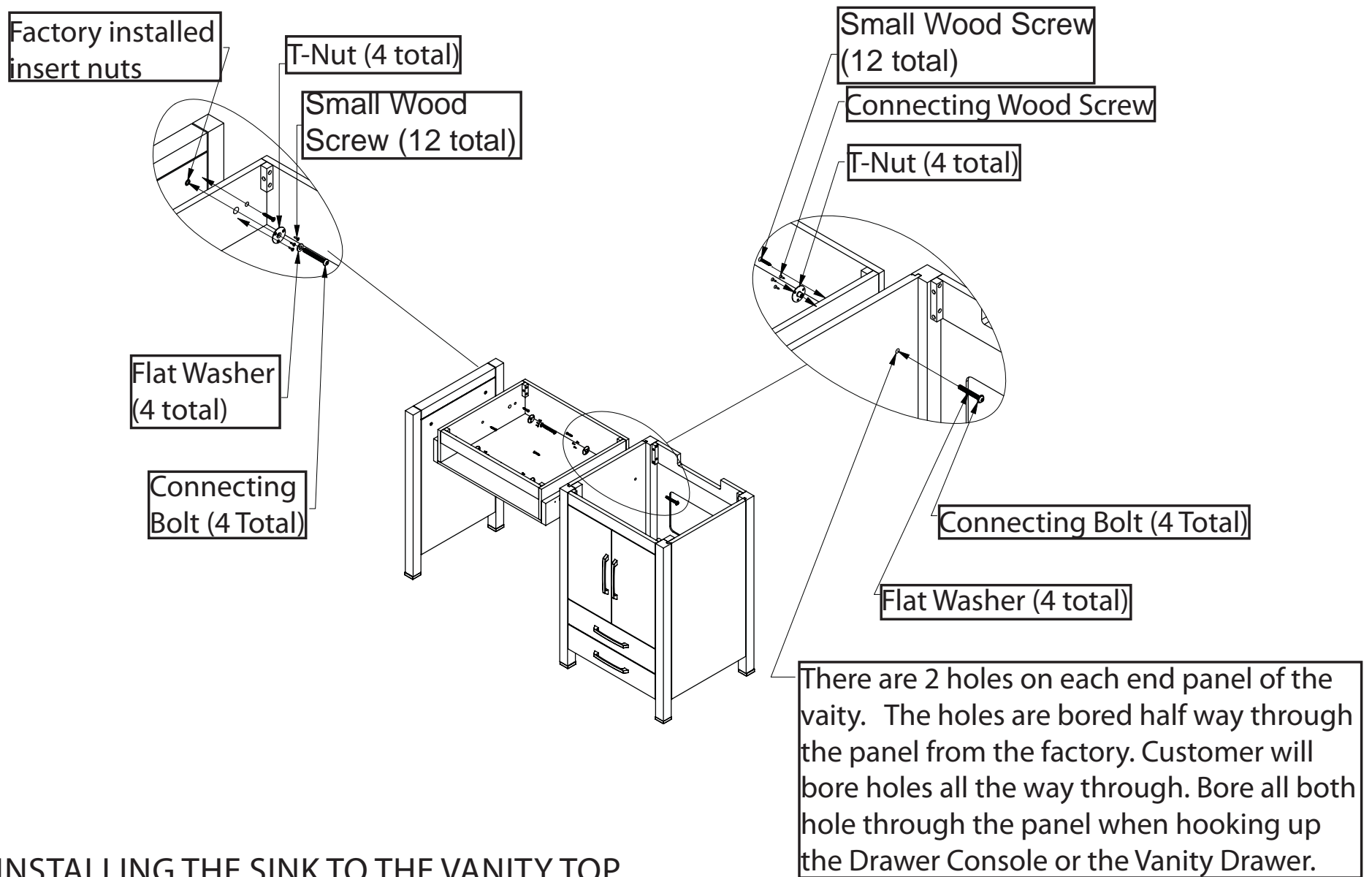
INSTALLING A DRAWER CONSOLE AND THE SUPPORT LEG TO THE VANITY

Figure D



INSTALLING THE VANITY DRAWER AND THE SUPPORT LEG TO THE VANITY

- o Unpack the Vanity Drawer, Vanity and Support Leg.
- o Remove the door and drawers from the Vanity Drawer and the Vanity. (This will make installation a lot easier)
- o Look inside the Vanity, you will see 2 holes near the top of the Vanity. These holes are bored halfway through from the factory. On the side that you wish to hook the Vanity Drawer to, bore the holes all the way through using a .394" (10 mm) drill bit.
- o Lay Vanity and Vanity Drawer on the floor, back down.
- o Slide the Vanity Drawer next to the Vanity lining up the holes at the top.
- o Using the connecting bolts and T-nuts attach the drawer console to the Vanity. The T-nuts go on the Vanity Drawer side and the Connecting Bolts go on the Vanity side. Tighten connecting bolts and insert three small wood screws into the holes in the T-nut. This will lock the T-nut in place. Figure E
- o There will be 3 unused holes below the T-nut holes on the Vanity Drawer. These holes are for connecting screws. Install the 3 screws through the Vanity Drawer and into the vanity using a cordless screwdriver. Figure E
- o Place the support leg next to the Vanity Drawer. Line up the the preinstalled insert nut holes with the holes in the end panel of the drawer console. Figure E
- o Using the connecting bolts attach the support leg to the Vanity Drawer. Only 2 connecting bolts will be used. At the bottom of the Vanity Drawer there are 3 screw holes (below the T-nut holes) Install screws into the support leg using a cordless screwdriver. Figure E



INSTALLING THE SINK TO THE VANITY TOP

Step #1

- o The Sink and the Vanity Top
- o Lay the top upside down on the Floor
- o Using Epoxy (not included) glue the four brass inserts (Figure F) into their respective holes.
- o Allow cure time per epoxy manufactures recommendations.

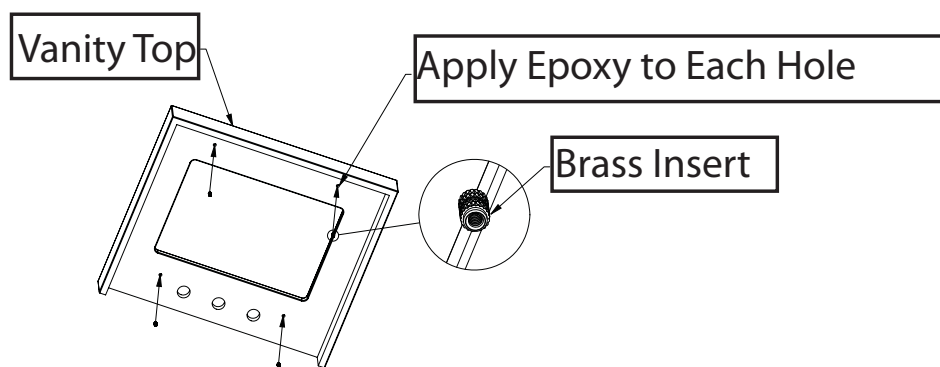


Figure F

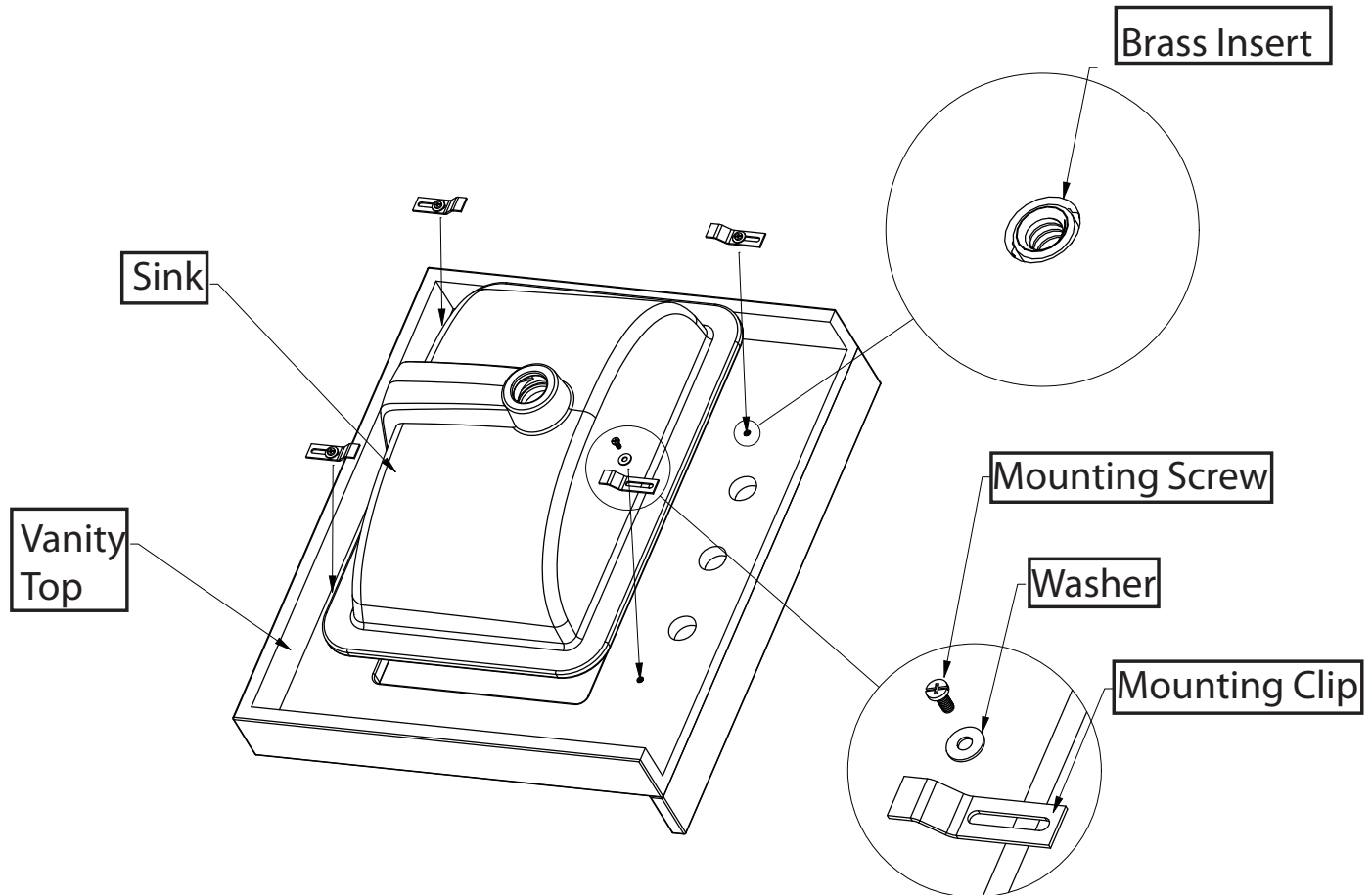


Installing the Sink to the Vanity Top

Step #2

- o Place the sink on the bottom side of the top.
- o Apply the mounting clips and snug them slightly.
- o Center the sink in the cutout (it may be necessary to look at counter from top side that's why the the clips are to be used in this step)
- o When Sink is in the desired location, using a magic marker make an outline around the sink on to the top.
- o Loosen the clips and remove the sink, apply silicone to the area inside the outline you just made.
- o Place sink onto the under side of the top, align sink with the outline.
- o Tighten mounting clips and check for proper alignment.
- o If alignment is satisfactory, wipe up excess silicone and let cure per silicon manufacturers recommendations

Figure G





INSTALLING THE TOP TO THE VANITY

Step #1

- o With the vanity in the desired location Place a small bead of silicone to the areas shown in Figure G.
- o Carefully lower top into position. There will be approximately 1/4 inch of top overhang on either side of the top. Back of top should be against the wall
- o Apply a bead of silicone to the bottom edge of the backsplash and to the back of the backsplash. Apply backsplash to the back of the vanity top and the wall.
- o Let Silicone Cure per manufactures specification before using.

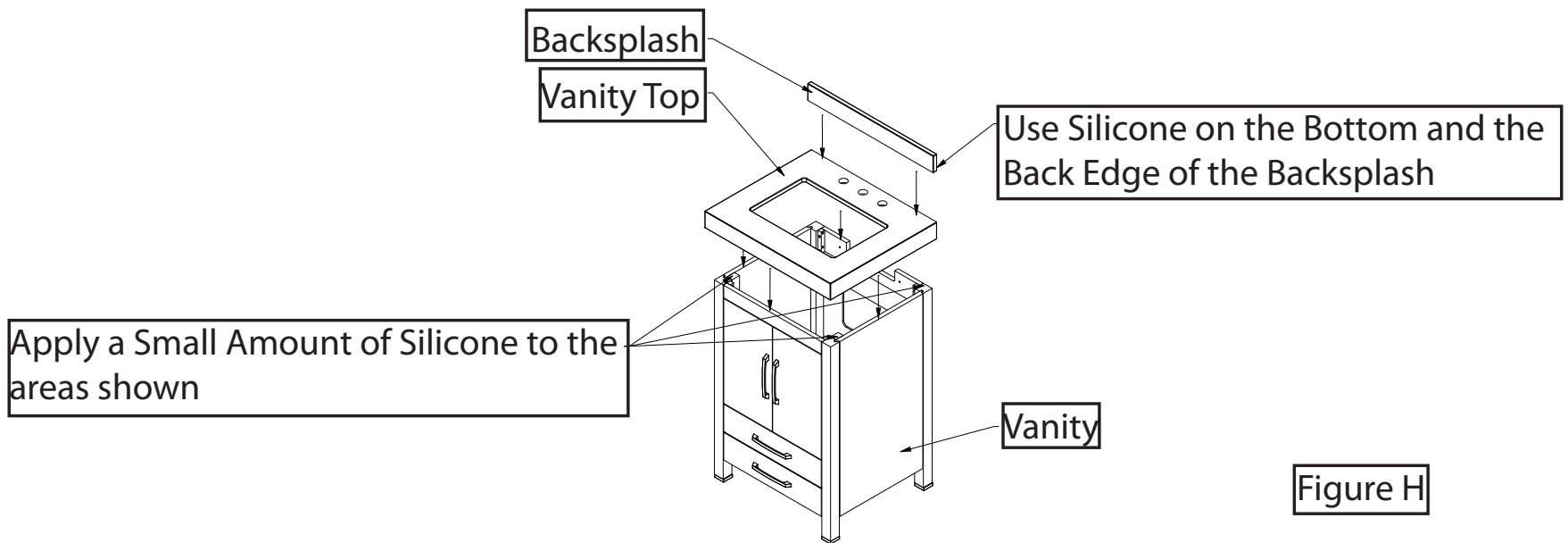


Figure H

INSTALLING THE TOP ON THE VANITY CONSOLE/ VANITY DRAWER

Step #1

- o Apply a small amount of Silicone to the areas shown. Figure I
- o Because of the decorative moulding that is directly below the Vanity top the Drawer Console top and the Vanity drawer top must be slid in from the front. See Figure I
- o The back edge of the Vanity drawer and Drawer Console should be flush with the back of the Vanity Drawer chassis and the back of the Drawer console Chassis

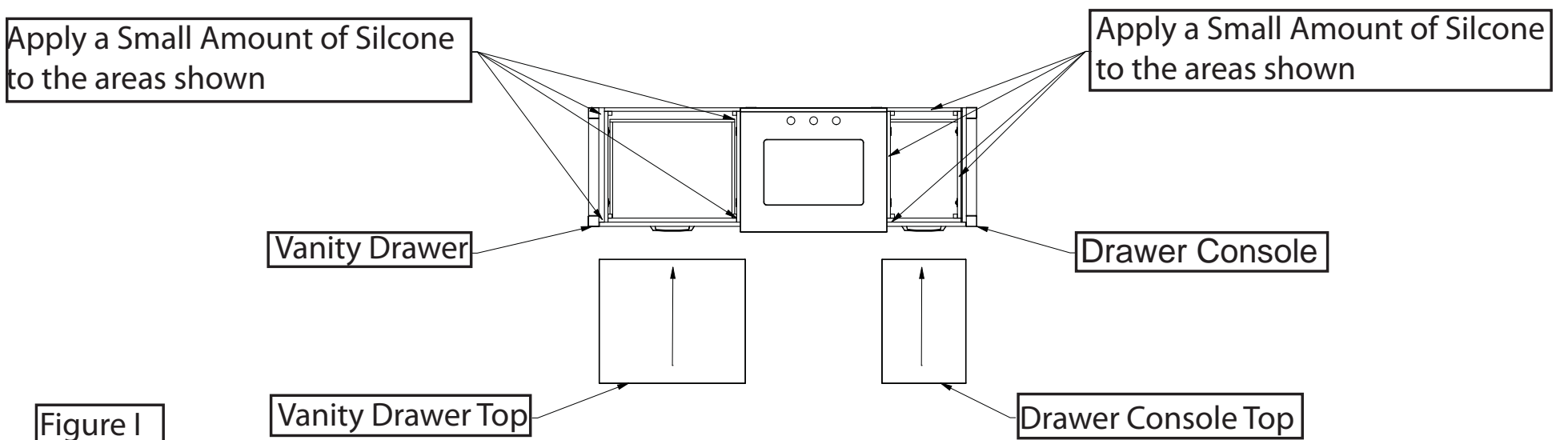


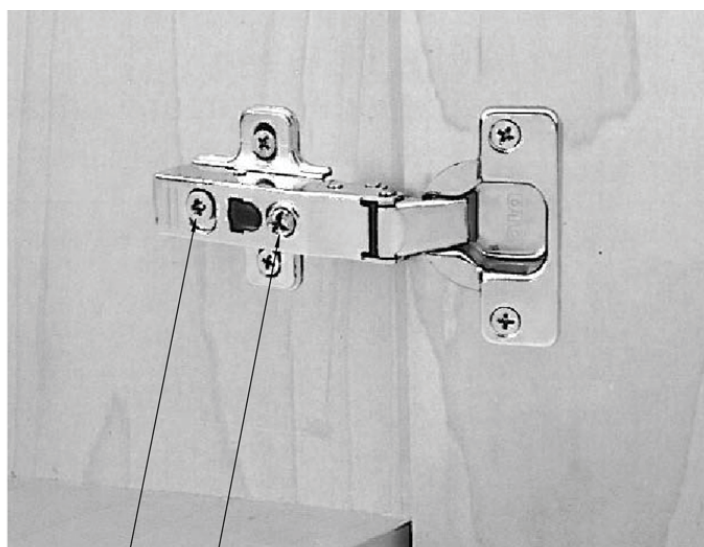
Figure I



Adjusting the Hinges

ADJUSTING THE HINGES

- o The rear screw will move the door closer to the end panel or away from the end panel. If the door is rubbing the end panel, use this adjustment screw. Remember to adjust both hinges on the door for the desired clearance.
- o To get the doors even across the top and bottom edges of the doors use the side to side adjustment screw. Remember to adjust both hinges on the door for the correct position.
- o Doors were adjusted at the factory prior to shipping but due to the variances in home walls the hinges may need slight adjustment.



Side to Side Adjustment

Front to Back Adjustment

CARE AND CLEANING

- DO NOT OVERTIGHTEN DRAIN. Overtightening of the drain can damage your DECOLAV® product.
- DO NOT clean the product with Detergents, Acid, Abrasives, Harsh Cleaners or a cloth with a coarse surface (S.O.S.® Pads, Scotch Brite® Pads). This is good advice for any plumbing fixture regardless of material.
- DO NOT leave any cleaning agents other than water on your DECOLAV® product.
- DO NOT allow your DECOLAV® product to unnecessarily encounter other solid objects.
- DO clean your DECOLAV® product. Wipe with a damp cloth and dry with a soft cloth. If necessary, a general mild soap and water solution can be used. Use a mild furniture polish to clean wood frame.
- DO clean underside of your DECOLAV® product with mild soap and water ONLY.



LIMITED LIFETIME WARRANTY

Any Deco Lav, Inc. ("DECOLAV") product(s), sold after December 1, 2010, will be warranted to the original end consumer to be free of true defects in material and workmanship during normal residential use for as long as the consumer owns his or her home subject to the following:

- Proof of purchase (original sales receipt) from the original end consumer must be made available to DECOLAV for all warranty claims.
- The person claiming a warranty issue must be able to establish original purchase and installation of the product.
- Authorized DECOLAV personnel have inspected the product(s) and determined the product(s) to have true manufacturing defect(s) (unless other arrangements satisfactory to DECOLAV have been agreed upon).
- Such product(s) are returned to DECOLAV (unless other arrangements satisfactory to DECOLAV have been agreed upon).
- The product must have been purchased, directly or indirectly, through an authorized DECOLAV reseller.

This limited warranty is non-transferable and applies only to the original end consumer and to the original installation of the product. This limited warranty is void if the product has been moved from its initial installation site or if ownership of the product has changed. DECOLAV's product are produced from natural raw materials and there may be a slight color variance from product appearing in catalogs, brochures, web-sites, or product samples, or prior production. These are not examples of manufacturing defects and will not be covered under this warranty.

This limited warranty does not cover any mechanical pieces of any DECOLAV product. These mechanical pieces will be covered under a One Year Warranty, with all other terms of this warranty applying except duration. This limited warranty does not cover the finish, color or plating of any DECOLAV product. The finish, color or plating of any product will be covered under a One Year Warranty, with all other terms of this warranty applying exception duration.

If this product is used commercially or installed outside of North America, DECOLAV warrants the product to be free from defects in material and workmanship for one (1) year from the date of installation with all other terms of this warranty applying except duration.

THIS LIMITED WARRANTY DOES NOT COVER ANY DAMAGES CAUSED BY SHIPPING, MISUSE, ABUSE, ACCIDENTS, NEGLIGENCE, UNAUTHORIZED REPAIRS OR ALTERATIONS, MODIFICATIONS, USE OF OTHER THAN GENUINE DECOLAV REPLACEMENT PARTS, DIRT, LIME SCALE, AND OTHER MINERALS, SCUFFS AND SCRATCHES, EXPOSURE TO MARINE AREAS, ABNORMAL USAGE, AND NORMAL WEAR AND TEAR. ANY IMPROPER INSTALLATION, IMPROPER MAINTENANCE, IMPROPER HANDLING, IMPROPER AND CONTRARY USES, IMPROPER CARE AND CLEANING AND ALL ACTS BEYOND DECOLAV'S CONTROL WILL VOID THIS LIMITED WARRANTY.

This limited warranty does not apply to local building code compliance. Since local building codes vary considerably, the original end consumer of the product(s) should check with a local building or plumbing contractor to ensure local code compliance prior to installation.

If you believe that you have a valid warranty claim, contact your Home Center, Dealer, Plumbing Contractor or E-tailer. Please be sure to provide all pertinent information regarding your claim, including a complete description of the problem, the product, model number, the date the product was purchased, from whom the product was purchased and the installation date and location. Also be sure to provide a copy of your original purchase invoice. For other questions, please write to us at: Deco Lav, Inc., Attn. Returns Processing, 314 S. Chimney Rock Road, Greensboro, NC 27409.

Upon satisfaction of each of the foregoing conditions and requirements, DECOLAV shall, at its option, either repair or replace the defective product. DECOLAV shall return any product repaired or replaced under this limited warranty to the original end consumer transportation prepaid. All Closeout/Discontinued product(s), at time of a valid warranty claim, will either be repaired or replaced with a comparable item. DECOLAV's option to repair or replace the product under this limited warranty does not cover any cost of labor to remove or install the DECOLAV product, usage and delay time, or other costs of removal or installation whatsoever. IN NO EVENT WILL DECOLAV BE LIABLE FOR THE COST OF REPAIR OR REPLACEMENT OF ANY INSTALLATION MATERIALS, INCLUDING BUT NOT LIMITED TO, COUNTERTOPS, TILES, MARBLE, GRANITE, ETC.

THIS LIMITED WARRANTY DOES NOT COVER ANY LIABILITY FOR CONSEQUENTIAL OR INCIDENTAL DAMAGES, ALL OF WHICH ARE HEREBY EXPRESSLY DISCLAIMED, OR THE EXTENSION BEYOND THE DURATION OF THIS LIMITED WARRANTY. Some states do not allow the exclusion or limitation of incidental or consequential damages, so the above limitation or exclusion may not apply to you.

THE WARRANTIES HEREIN:

- ARE EXCLUSIVE AND STATED IN LIEU OF ALL OTHER WARRANTIES, WHETHER EXPRESS, STATUTORY, OR IMPLIED, INCLUDING BUT NOT LIMITED TO THE WARRANTIES OF MERCHANTABILITY AND FITNESS FOR AN INTENDED PURPOSE, ALL OF WHICH ARE HEREBY EXPRESSLY DISCLAIMED.
- NEITHER ASSUME NOR AUTHORIZE ORIGINAL END CONSUMER NOR ANY OTHER PARTY TO ASSUME ANY OTHER LIABILITIES IN CONNECTION WITH THE MANUFACTURE OR SALE OF THE PRODUCT.
- ARE SUBJECT TO THE LIMITATIONS ON DAMAGES AS SET FORTH ABOVE.