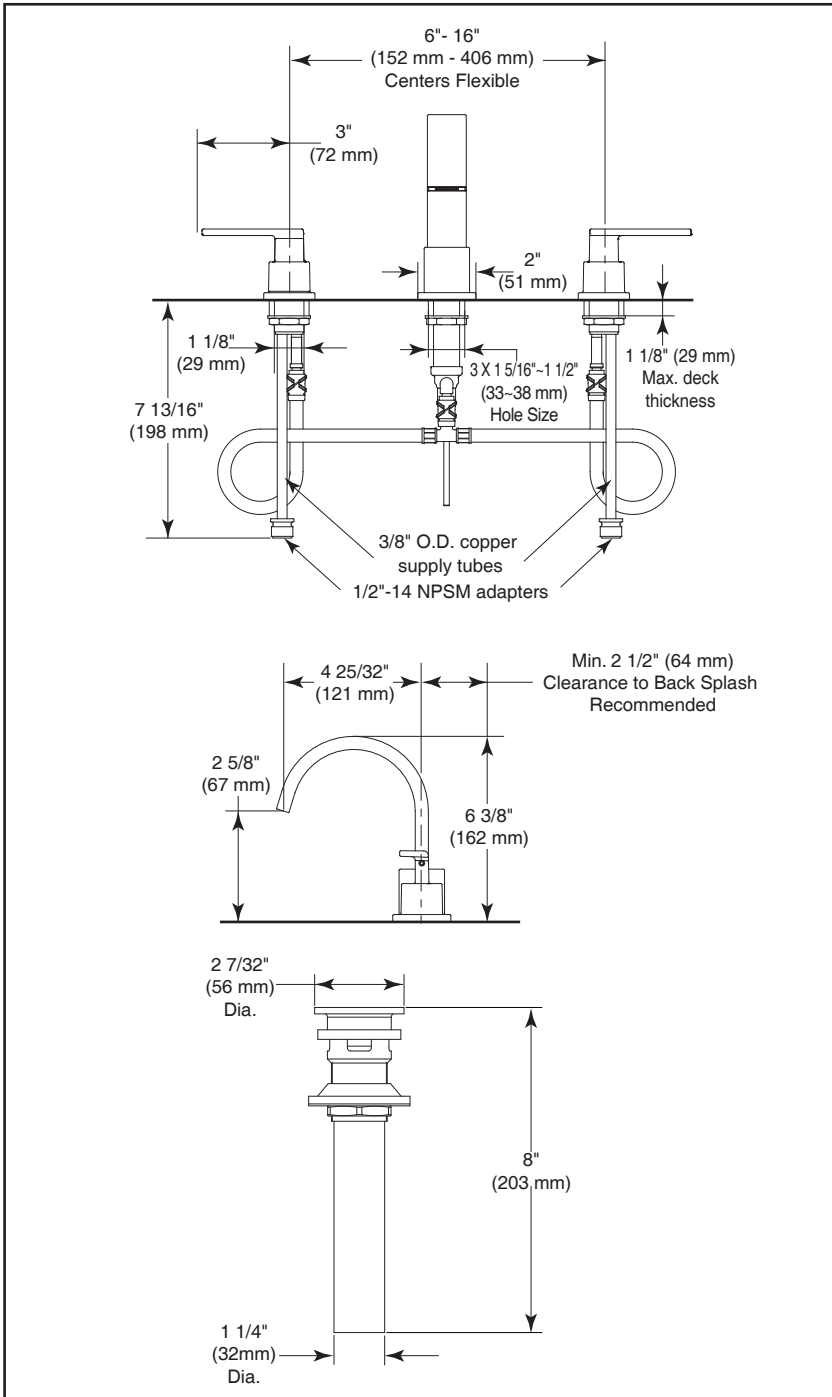


3553LF ▲

Submitted Model No.: _____
 Specific Features: _____



▲ Designate proper finish suffix

Delta reserves the right (1) to make changes in specifications and materials, and (2) to change or discontinue models, both without notice or obligation. Dimensions are for reference only. See full-line price book or www.specselect.com for finish options and product availability.

DSP-L-3553LF Rev. A



LAVATORY FAUCETS

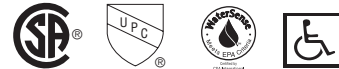
- Vero™ Bath Collection
- Two Handle Widespread Deck Mount
- 3 Hole Sink Applications
- 6" to 16" Centers

STANDARD SPECIFICATIONS

- Solid brass fabricated end bodies.
- Widespread - 6" (152mm) to 16" (406 mm) centers.
- 4 25/32" (121 mm) long, 6 3/8" (162 mm) high, rigid spout.
- 1/4 turn handle stops
- Hot and cold stems are interchangeable.
- 1/4" O.D. copper supply tubes with 1/2"-14 NPSM adapters.
- Control mechanism is a rotating cylinder type with stainless steel plate and 90°rotating, with replaceable non-metallic seats.
- Models have metal drain with push pop-up type fitting with plated flange and stopper.
- Maximum flow rate 1.5 gpm @ 60 PSI.

WARRANTY

- Lifetime Faucet and Finish Limited Warranty to the Original consumer purchaser to be free from defects in material and workmanship.
- 5 Year Limited Warranty for use in all Industrial, Commercial and business applications.



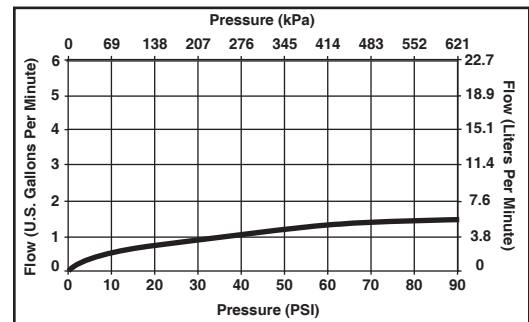
COMPLIES WITH

- ASME A1 12.18.1 / CSA B125.1
- ASME A1 12.18.2 / CSA B125.2

Indicates compliance to
 ICC / ANSI A1 17.1

- EPA WaterSense

Verified compliant with 0.25% weighted average Pb content regulations.



55 E. 111th Street, Indianapolis, Indiana 46280
 395 Matheson Blvd. E., Mississauga, ON L4Z 2H2
 © 2010 Masco Corporation of Indiana