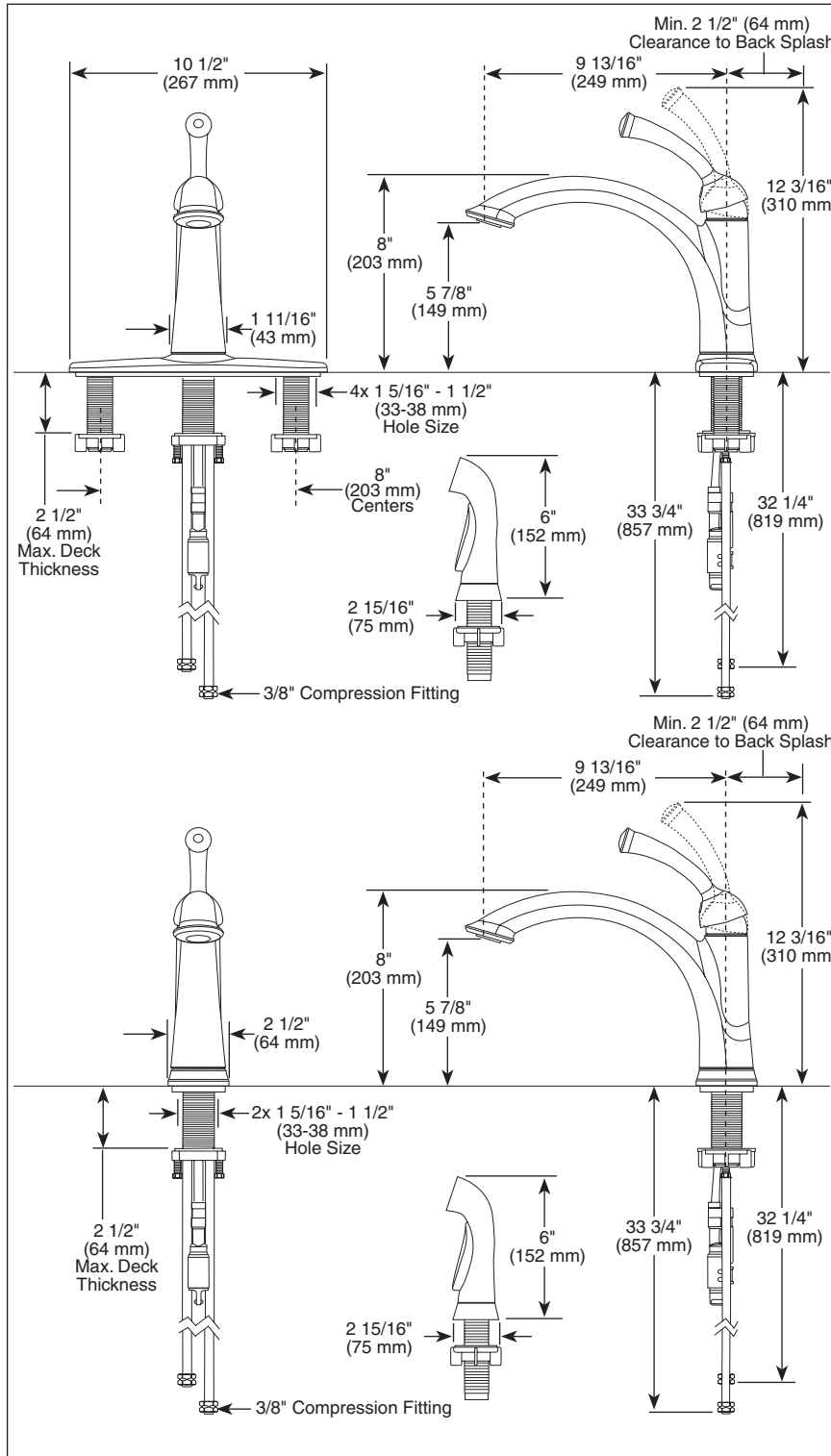


11926-DST

Submitted Model No.: \_\_\_\_\_

Specific Features: \_\_\_\_\_



▲ Designate Proper Finish Suffix

Delta reserves the right (1) to make changes in specifications and materials, and (2) to change or discontinue models, both without notice or obligation. Dimensions are for reference only. See full-line price book or [www.specselect.com](http://www.specselect.com) for finish options and product availability.  
DSP-K-11926-DST Rev. A



## KITCHEN FAUCETS

- Lewiston™ Series
- Single Handle Deck Mount
- 1, 2, 3 or 4 Hole Sink Applications
- DIAMOND™ Seal Technology
- Integrated Supply Tubes
- Quick Snap® Vegetable Sprayer Hose Installation

### STANDARD SPECIFICATIONS:

- Single handle kitchen faucets for exposed mounting on 1, 2, 3 and 4 hole sinks.
- Centermount or 8" (203 mm) centers with optional 10 1/2" (267 mm) long escutcheon included.
- 12 3/16" (310 mm) high, 9 13/16" (249 mm) long spout, swings 120°.
- Quick Snap® vegetable sprayer hose with matching finish sprayhead - 45" (1143mm) long hose.
- Lever handle shall return to neutral position when valve is turned off.
- Control mechanism shall be the diamond coated ceramic cartridge.
- Red/blue graphics on handle button to indicate hot/cold temperature.
- 3/8" O.D. straight, staggered pex supply tubes - 32 1/4" (819 mm) and 33 3/4" (857 mm) long.
- Standard 3/8" (10 mm) compression gasket fittings.
- Maximum flow rate 1.5 gpm @ 60 PSI.

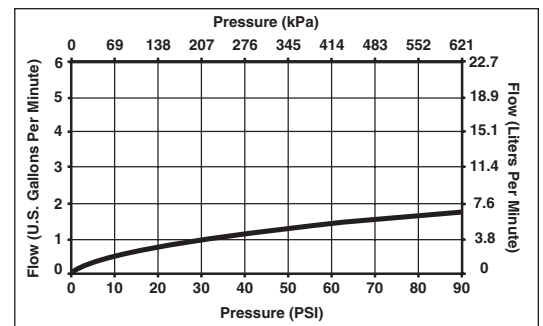
### WARRANTY

- Lifetime Faucet and Finish Limited Warranty to the original consumer purchaser to be free from defects in material and workmanship.
- 5 Year Limited Warranty for usage in all industrial, commercial and business applications.



### COMPLIES WITH:

- ASME A112.18.1 / CSA B125.1
- ASME A112.18.6
- Indicates compliance to ICC/ANSI A117.1
- Verified compliant with .25% weighted average Pb content regulations.



55 E. 111th Street, Indianapolis, Indiana 46280  
350 South Edgeware Road, St. Thomas, ON N5P 4L1  
© 2012 Masco Corporation of Indiana