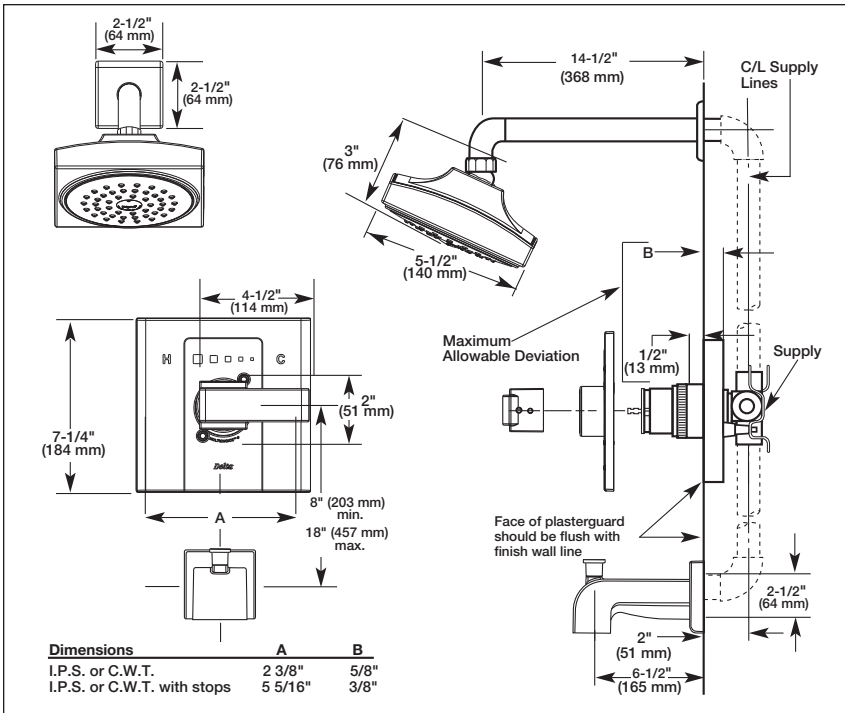


Submitted Model No.: _____

Specific Features: _____



TUB AND SHOWER FAUCET TRIM

- Arzo® Series
- Valve Only Trim (T14086)
- Tub Only Trim (T14186)
- Shower Only Trim (T14286)
- Tub/Shower Trim - Pull-Up Tub Spout (T14486)
- Single Handle

STANDARD SPECIFICATIONS:

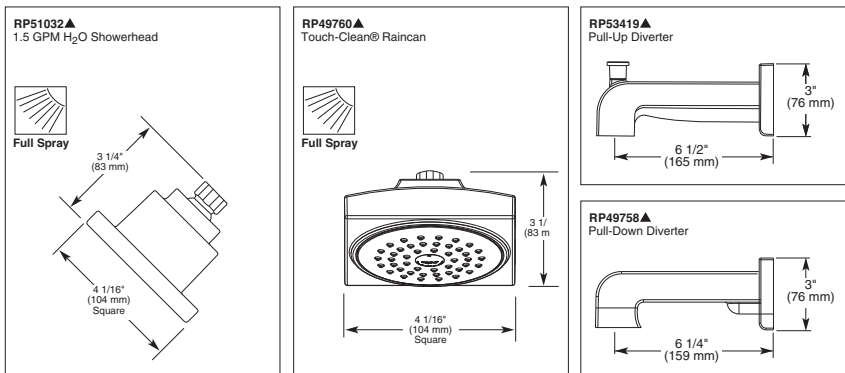
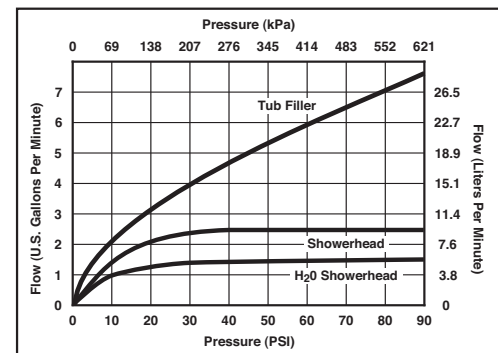
- Pressure balanced single handle bath mixing valve trim.
- Lever handle.
- For use with MultiChoice® Universal rough valve body (R10000 series).
- Temperature only controlled with handle.
- Field adjustable to limit handle rotation into hot water zone.
- 120° maximum handle rotation.
- All parts shall be replaceable from the front of the valve.

WARRANTY

- Lifetime Faucet and Finish Limited Warranty to the original consumer purchaser to be free from defects in material and workmanship.
- 5 Year Limited Warranty for usage in all industrial, commercial and business applications.

COMPLIES WITH:

- ASME A112.18.1/CSA B125.1
- ASSE 1016
- Indicates ADA compliance to ICC/ANSI A117.1
- CSA Certified
- IAPMO listed



▲ = Designate Proper Finish Suffix

Delta reserves the right (1) to make changes in specifications and materials, and (2) to change or discontinue models, both without notice or obligation. Dimensions are for reference only. See current full-line price book or www.specselect.com for finish options and product availability.



55 E. 111th Street, Indianapolis, Indiana 46280
 395 Matheson Blvd. E., Mississauga, ON L4Z 2H2
 © 2009 Masco Corporation of Indiana