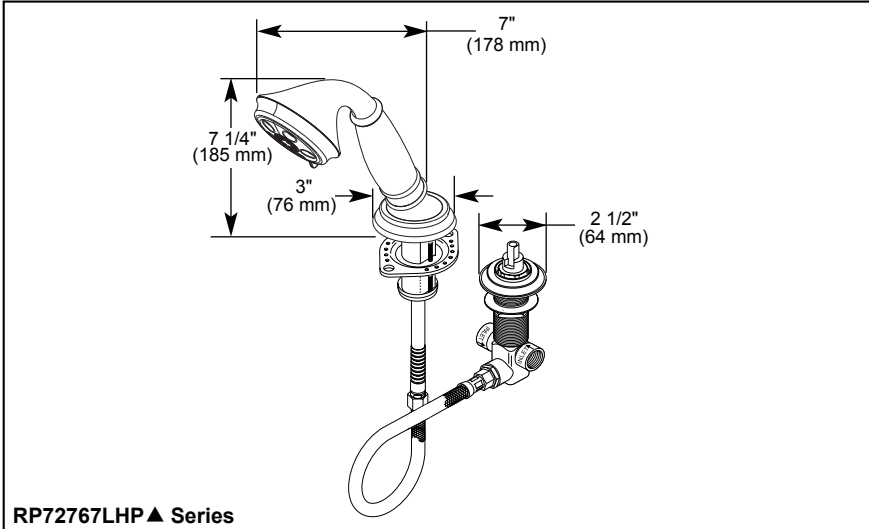


RP72767LHP▲

Submitted Model No.:

Specific Features:



RP72767LHP▲ Series



see what Delta can do™

## ROMAN TUB HAND HELD SHOWER

- Roman Tub Deck Mount Hand Held Shower
- Ledge or Wall Mount Transfer Valve

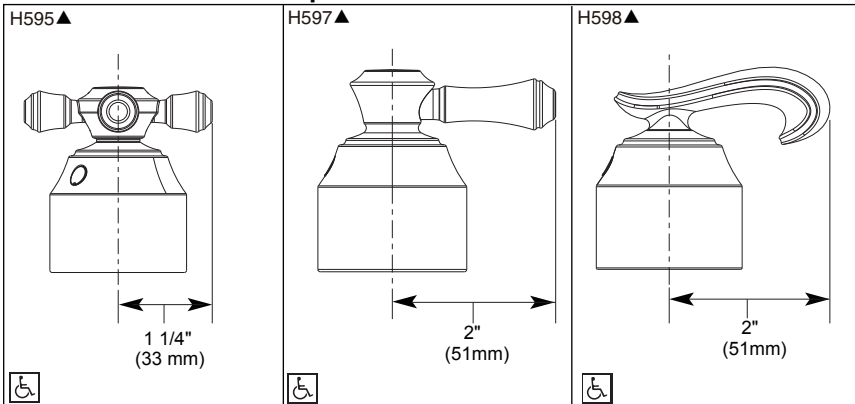
### STANDARD SPECIFICATIONS:

- Solid fabricated brass body
- Ledge or wall mount transfer valve for maximum 1 11/16" (43 mm) deck thickness
- 69" (1753 mm) flexible hose
- LHP-Less handle program. See handle options below.
- Control mechanism is a rotating cylinder type with stainless steel plate and 180° rotation, with replaceable non-metallic seats operating in stainless steel lined sockets.
- All operating parts shall be replaceable from the top
- 1/2"-14 NPSM threaded female inlets and outlets
- Do not install hot and cold inlet water supplies directly to transfer valve. Must be installed to another valve in order to control volume and temperature.
- Handshower includes double check valves for backflow prevention
- Maximum 1.75 gpm @ 80 psi, 6.6 L/min @ 550 kPa

### WARRANTY

- Lifetime limited warranty on parts (other than electronic parts and batteries) and finishes: or, for commercial users, for 5 years from date of purchase.
- 5 year limited warranty on electronic parts (other than batteries); or, for commercial users, for 1 year from the date of purchase. No warranty is provided on batteries.

### Available LHP Handle Options



▲ Designate proper finish suffix



### COMPLIES WITH:

- ASME A112.18.1 / CSA B125.1
- Indicates compliance to ICC/ANSI A117.1
- EPA WaterSense® - Applies to handshower only - 59433\*