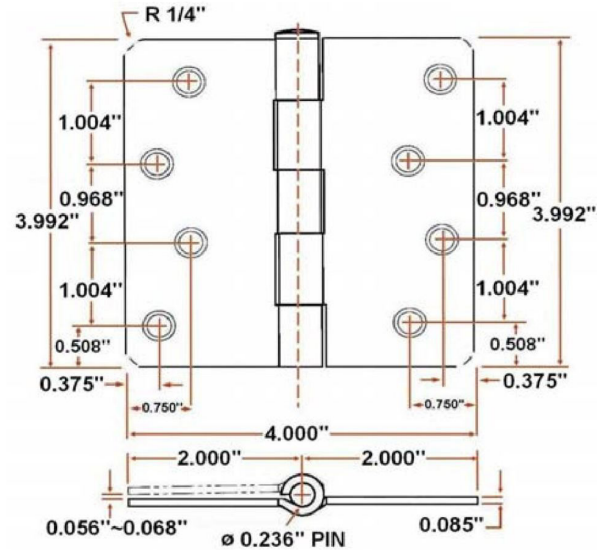
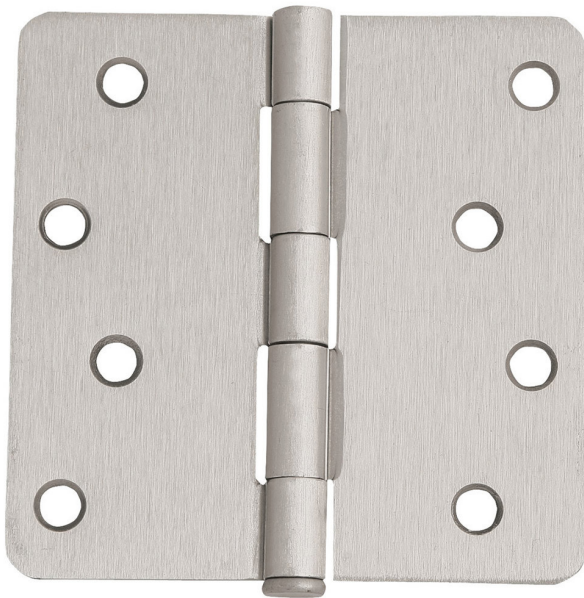


8-Hole 4" x 4" 1/4" Radius Door Hinge
Satin Nickel



SPECIFICATIONS

MATERIAL CONSTRUCTION:	Steel
MOUNTING HARDWARE INCLUDED:	Yes
TOOLS NEEDED FOR INSTALLATION:	Screwdriver
ASSEMBLED DIMENSIONS:	4" H x 4" L x 0.09" D
ASSEMBLED WEIGHT:	0.51 lbs.
CROSS BORE:	N/A
CORNER RADIUS:	1/4"
PROJECTION:	N/A
HINGE TYPE:	Butt Hinge
NUMBER OF HOOKS:	N/A

WARRANTY: 1-Year limited warranty

LEGAL FOR SALE IN CALIFORNIA: Yes



TYPE:
JOB:
ORDER CODE:
APPROVALS: