

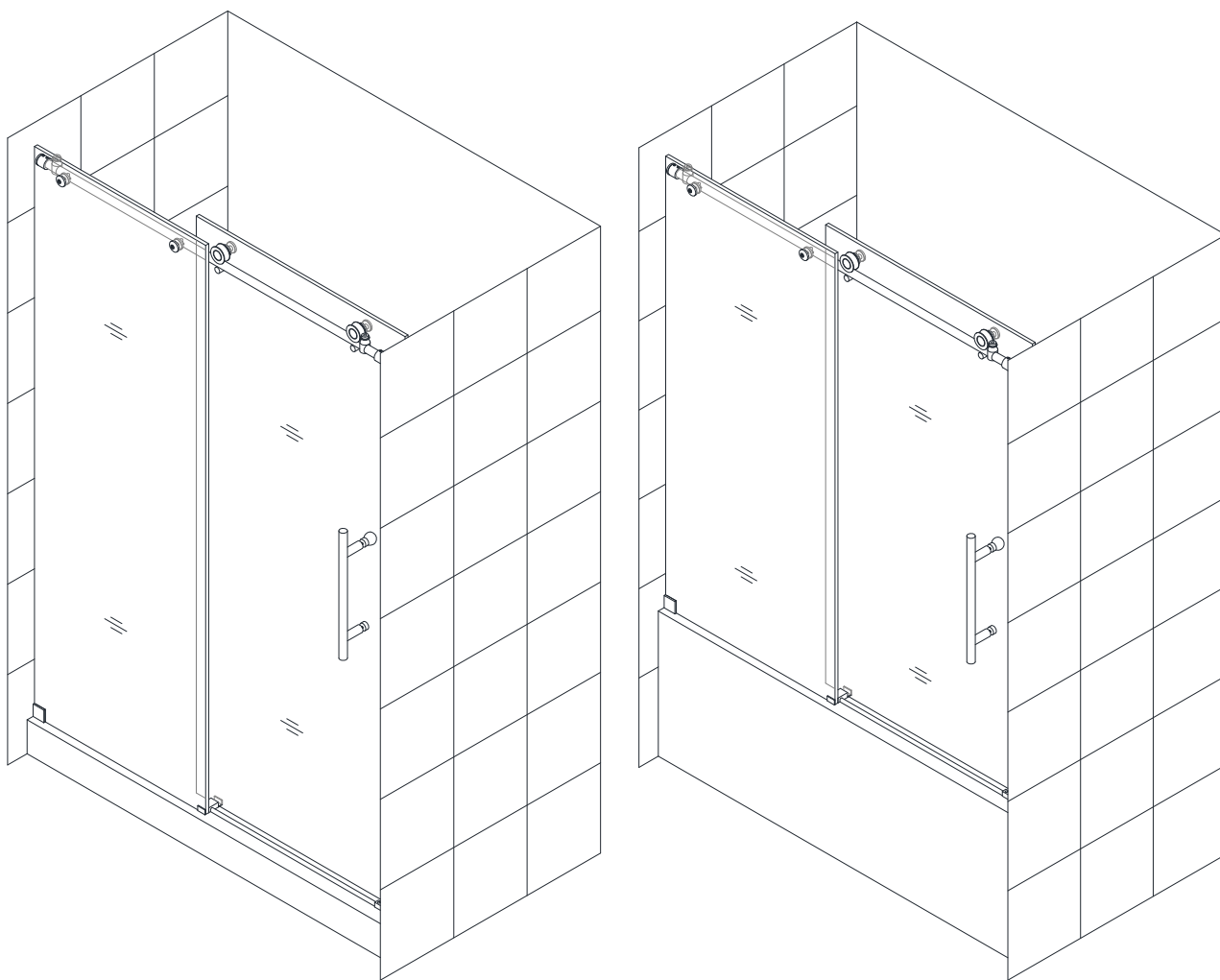


ENIGMA X

SHOWER DOOR & TUB DOOR INSTALLATION INSTRUCTIONS

IMPORTANT

DreamLine™ reserves the right to alter, modify or redesign products at any time without prior notice. For the latest up-to-date technical drawings, manuals or any other details please refer to the support.BathAuthority.com web page.



Please carefully read the instructions before installing. If you have any questions regarding installation, please call our technical support specialists Monday through Friday 9:00 AM – 5:00 PM EST at 1-866-731-8378, ext. 3 or e-mail our technical support group at support@BathAuthority.com.

For more information on [DreamLine™ Shower Doors & Tub Doors](http://www.BathAuthority.com) please visit www.BathAuthority.com

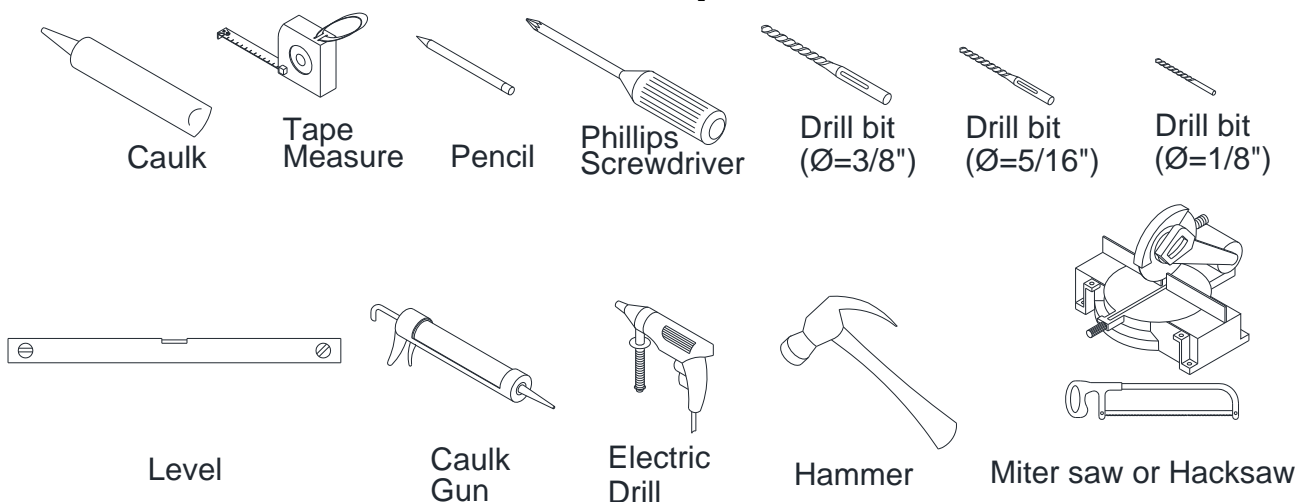
Preparation

1. After opening all boxes and packages, read this introduction carefully. Check that all of the needed parts are included in the package, by marking all the components on the "Detailed Diagram of Shower Door Components". Examine boxes and packages for shipping damage. If the unit has been damaged, has a finishing defect, or has missing parts, please contact our customer support department within 3 business days of the delivery date. Please note that **DreamLine™ will not replace any damaged products or missing parts free of charge after 3 business days or if the product has been installed.** Feel free to contact DreamLine™ if you have any questions.
2. **Please note that you should consult your local building codes on questions on installation compliance standards. Building and plumbing codes vary by location, and DreamLine is not responsible for code compliance standards for your project.**
3. Please ensure that prior to the installation the installation surface is leveled and solid. Also make sure the walls are at right angles. While some adjustment in leveling of the door is possible, irregular installation surface level or improper angle of side walls will result in serious problems for your installation. Please note that there are some adjustments and drilling might be necessary during the installation process.
4. This unit has to be installed against a finished floor and walls.
5. **Please, NOTE! This door does not have out-of-plumb adjustment. Make sure your walls are at right angles.**
6. **This door requires a minimum 2³/₄" wide threshold, base or installation space.**
7. **Please note that Step 6 calls for installation of the door to the wall using anchors. However, the manufacturer strongly recommends installing these heavy doors to the studs or to preinstalled 2x6 wood reinforcement behind the wall and attaching the Wall brackets to it.**

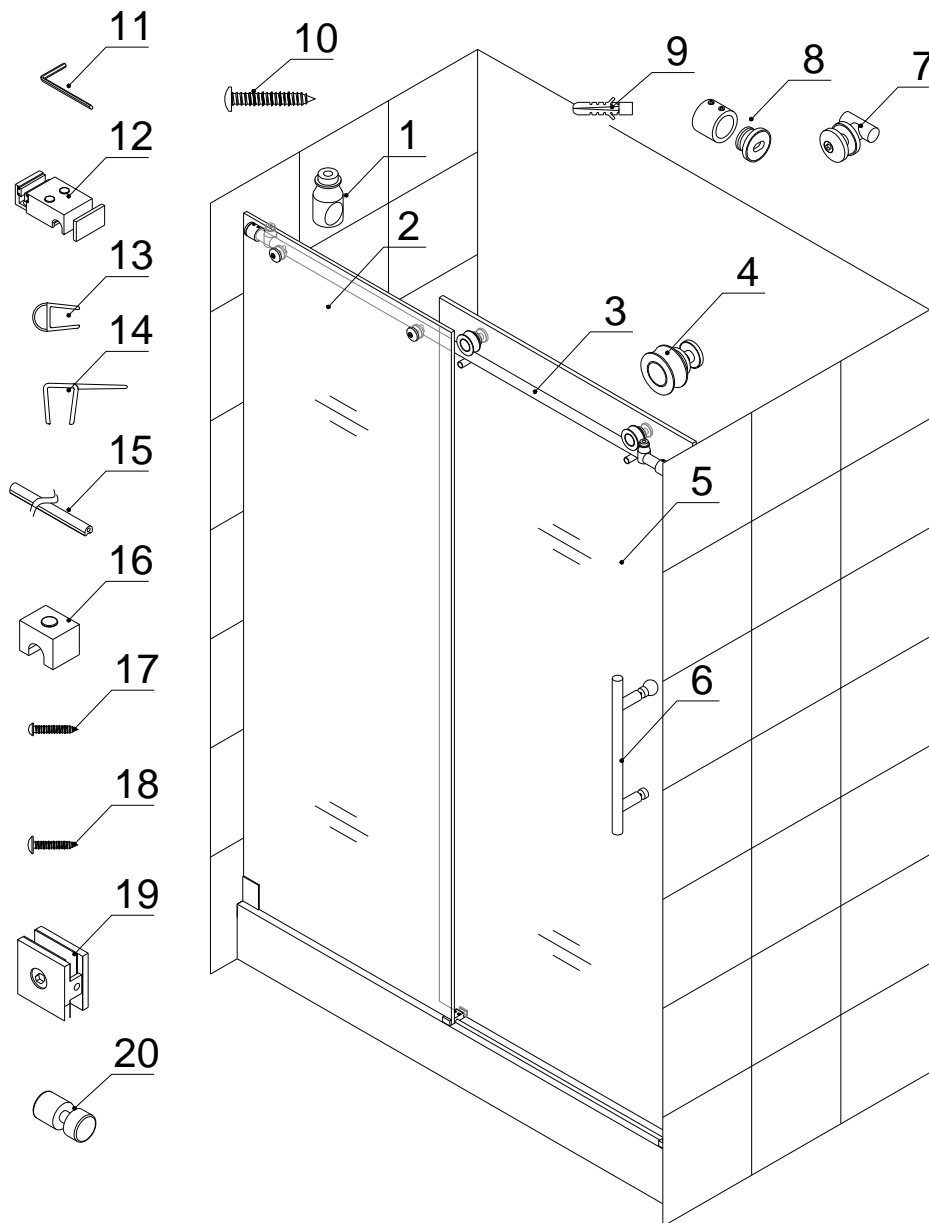
Attention: This door is extremely heavy and requires professional installation.

Instructions are given for the shower door installation. Please, follow the same instructions to install the tub door.

Tools Required



Detailed Diagram of Shower Door Components



Packing List

01	Door stopper	2pcs	11	Hex wrench 3mm, 4mm, 5mm	1set
02	Stationary glass	1pc	12	Guide block (with plugs)	1pc
03	Upper guide rail	1pc	13	Bumper strip	1pc
04	Roller	2pcs	14	Anti-water strip	2pcs
05	Glass door	1pc	15	Anti-splash threshold	1pc
06	Handle	1pc	16	Threshold bracket (with plug)	1pcs
07	Glass bracket	2pcs	17	Round head screw ST4.2×25	3pcs
08	Guide rail bracket	2pcs	18	Round head screw ST4.2×30	1pcs
09a	Wall anchor Ø 3/8"	2pcs	19	Wall bracket	1pc
09b	Wall anchor Ø5/16"	1pcs	20	Roller guard	2pcs
10	Round head screw ST6×45	2pcs			

NOTE: Unpack your unit carefully and inspect it. Lay it out and identify all parts using the detailed diagram and packing list in your manual as a reference. Before discarding the carton, check for small hardware bags that tend to fall to the bottom of the box. If any parts are damaged or missing, please contact DreamLine™ for replacement.

Shower Door Installation

1. Measure the distance between two finished walls.

This distance is marked as "**W**".

See Fig. 1 for details.

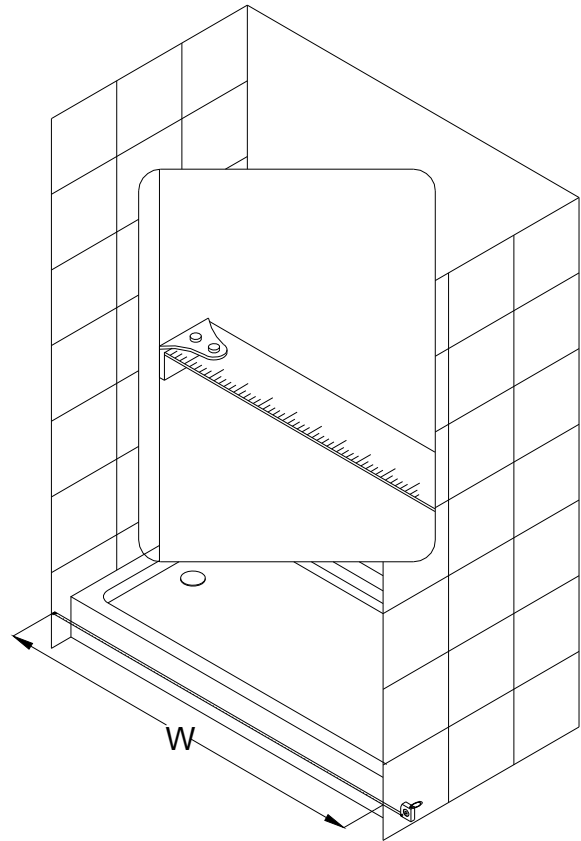


Fig. 1

2. Your **Guide rail (03)** has been precut for the installation between the walls with a distance of:

a) **48"**.

If **W=48"** it is unnecessary to cut the **Guide rails** and you can continue to Step 3.

If **W<48"**, you will need to cut the **Guide rails** from the end which is farther from the **Glass brackets (07)** hole.

The length to cut off will be **L**:

$$L=48''-W.$$

b) **60"**.

If **W=60"** it is unnecessary to cut the **Guide rails** and you can continue to Step 3.

If **W<60"**, you will need to cut the **Guide rails** from the end which is farther from the **Glass holder (16)** hole.

The length to cut off will be **L**:

$$L=60''-W.$$

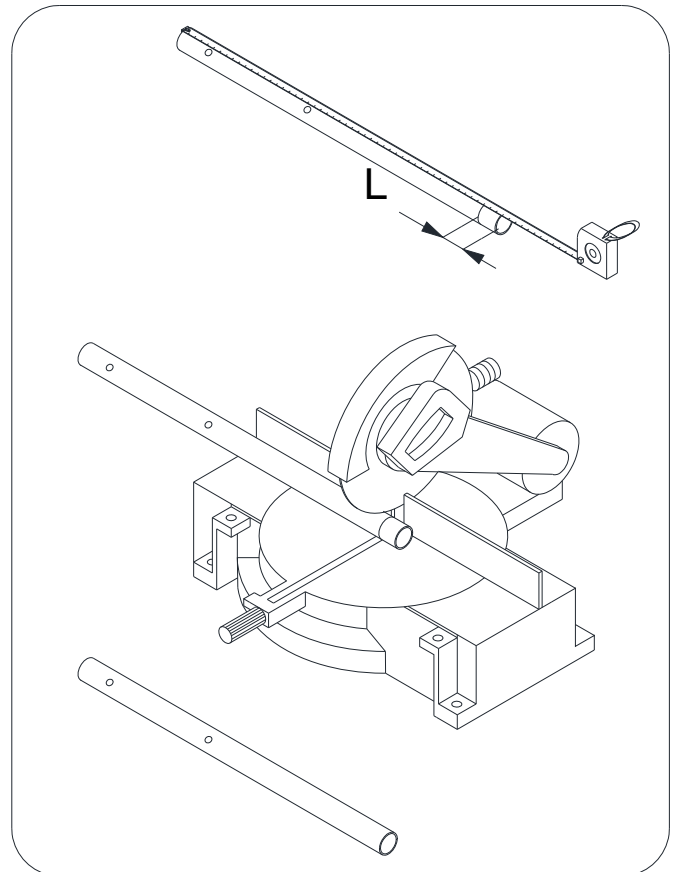


Fig. 2

See Fig. 2 for details.

3. Install the **Upper guide rail (03)** to the **Stationary glass (02)** with the **Glass brackets (07)** and tighten the set screws. Slide the **Door stoppers (01)** on each end of the **Upper guide rail** and secure them temporarily. Slide the **Guide Rail brackets (08)** on each end of the **Upper guide rail** and temporarily secure them as well. Assemble the **Wall Bracket (19)** onto the bottom corner of the **Stationary glass (02)**.

See Fig. 3 and Fig. 4 for details.

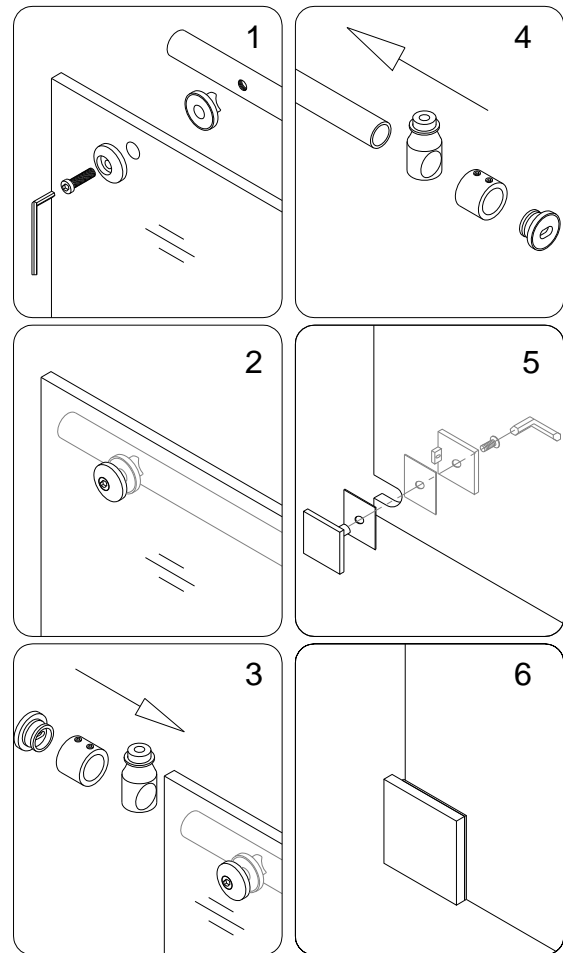


Fig. 3

NOTE:

Before you start installation of the **Stationary glass (02)**, you have to take the **Glass door (05)** into the shower room and lean it against the wall.

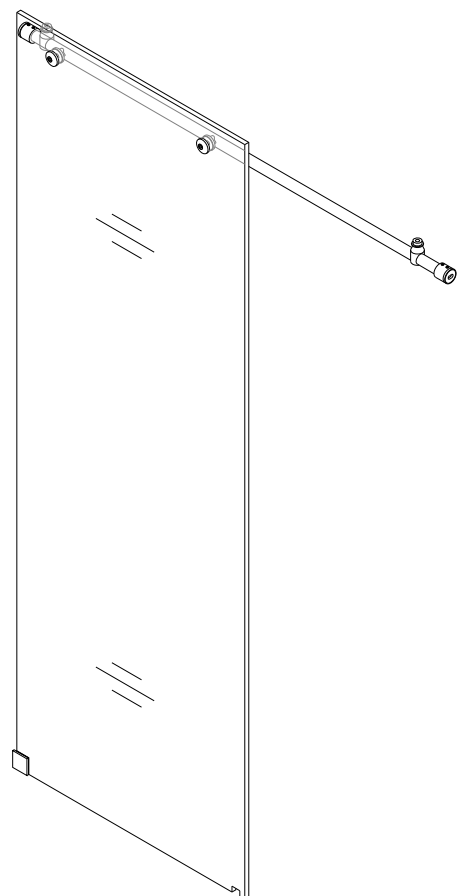


Fig. 4

- Place the **Stationary glass (02)** on the preinstalled shower base or threshold and butt it up against the wall.

(Please note that the Guide rail (03) secured on the Stationary Glass should face inside the shower).

Make sure the **Stationary glass** and the **Guide rail** are leveled and aligned with the shower base or threshold. If a horizontal adjustment is required, adjust it in the **Glass brackets**.

See Fig. 5 for details.

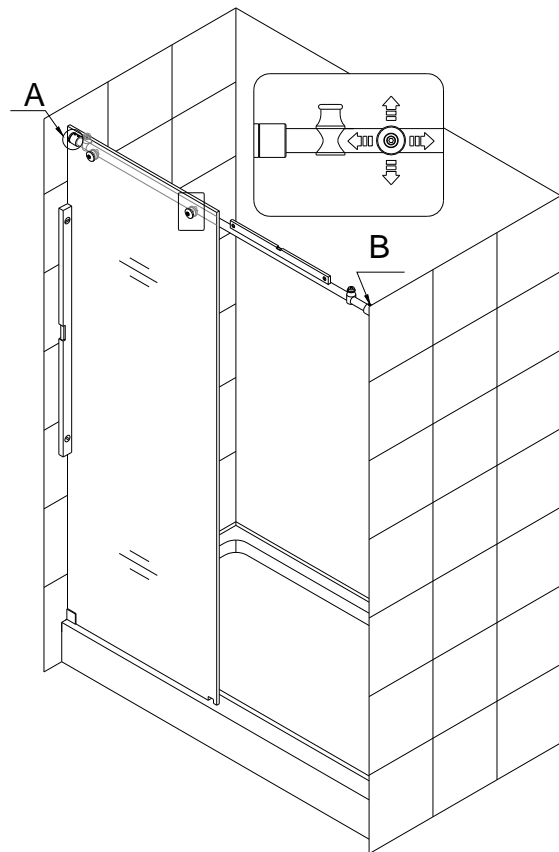


Fig. 5

- Outline the position of the **Wall bracket (19)** and **Guide Rail brackets (08)** on the wall.

Set the **Stationary glass** aside.

Remove the **Guide Rail Brackets** from the **Guide Rail** and the **Wall bracket** from the **Stationary glass**. Place the **Wall bracket** and **Rail bracket** to the outlined positions and mark the holes for drilling.

See fig. 6 for details.

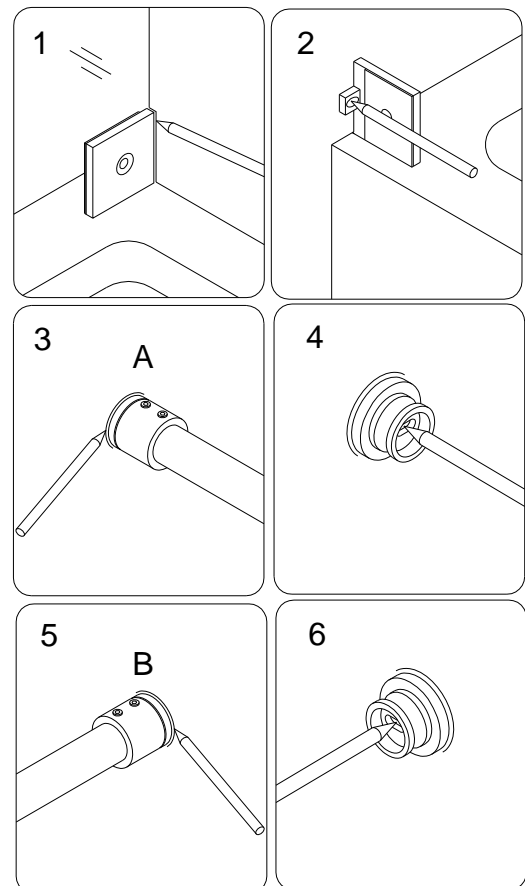


Fig. 6

6. Drill the holes for the **Wall bracket (19)** using $\text{Ø } 5/16$ drill bit and insert the **Wall anchors (9b)**. Drill the holes for the **Rail brackets (08)** using $\text{Ø } 3/8$ drill bit and insert the **Wall anchors (9a)**.

See Fig. 7 for details.

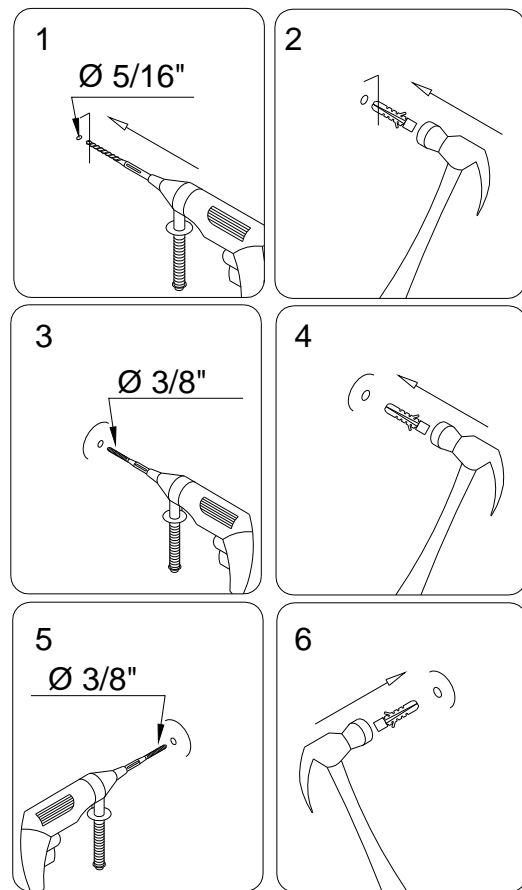


Fig. 7

7. Fasten the **Wall bracket** to the wall using the **Round head screw ST4.2×30 (18)**.
Mount the male parts of the **Rail brackets** onto both walls using the **Round head screw ST6×45 (10)**.

See Fig. 8 for details.

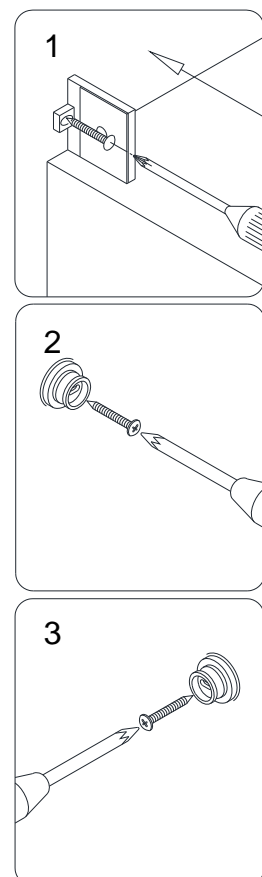


Fig. 8

8. Place the **Guide Block (12)** on the shower base or the threshold and place the **Stationary glass (02)** back in to the designated position so it gets in the groove of the **Guide block**.

See Fig. 9 for details.

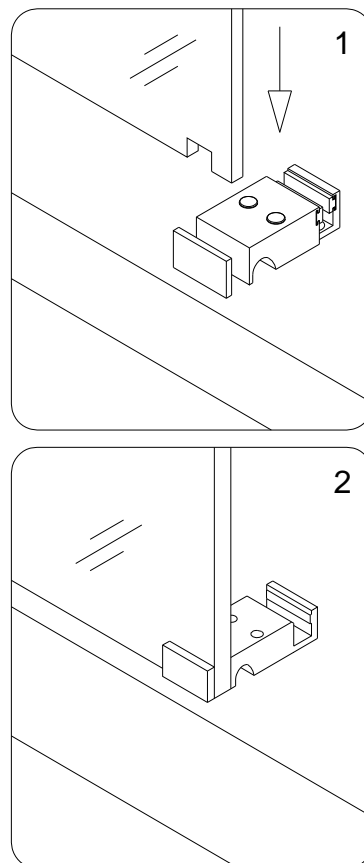


Fig. 9

9. Fasten both female parts of the **Guide rail brackets (08)** to their male parts on the walls.
Tighten the set screws on the **Guide rail brackets** to secure the **Upper guide rail** between the two walls.
Assemble the **Wall bracket** at the bottom corner of the **Stationary glass** and tighten the bolt.

See Fig. 10 and Fig. 11 for details

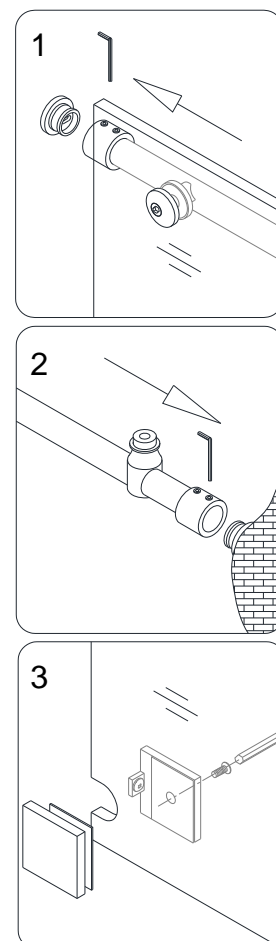


Fig. 10

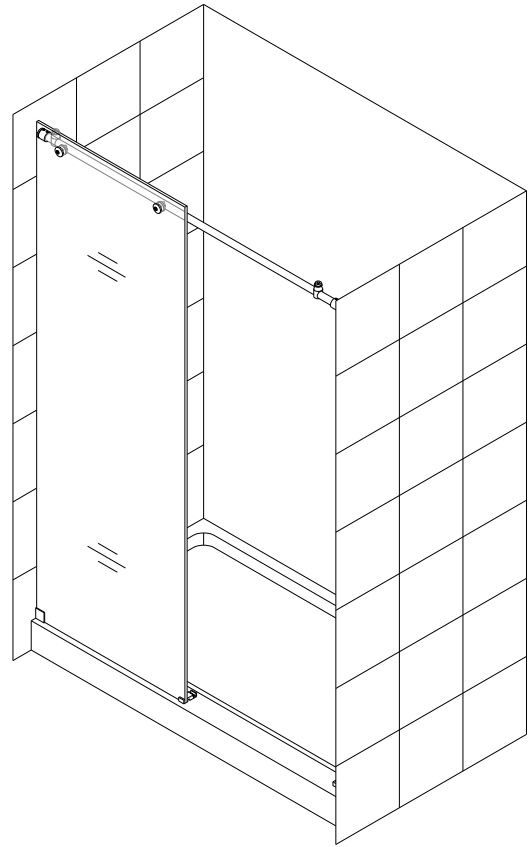


Fig. 11

10. Parallel the **Stationary glass (02)** to the shower base or threshold. Measure the distance from the side wall to the far edge of the **Guide block (12)**.

This distance will be "**X**".

Cut the **Anti-splash threshold (15)** to the size of **X-1/2"**.

Insert one side of the **Anti-splash threshold** fully into the **Guide block** and cover the other side with the **Threshold bracket (16)**.

Parallel the **Anti-splash threshold** to the front edge of the shower base or threshold and mark the drilling hole through the **Threshold bracket**.

See Fig. 12 for details.

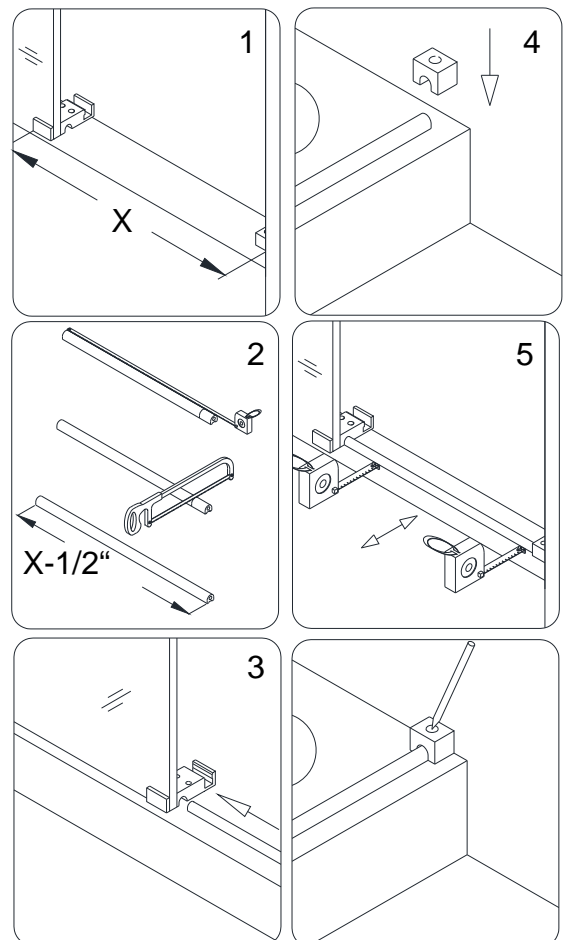


Fig. 12

11. Drill the holes for the **Guide block** and the **Threshold bracket** using $\text{Ø } 1/8''$ drill bit. Apply silicone to the bottom of the **Anti-splash threshold**; place it back into the designated position. Fasten the **Guide block** and the **Threshold bracket** to the shower base or threshold with the **Round head screw ST4.2×25 (17)**.

Cover the holes with the provided decorative plugs.

See Fig. 13 for details.

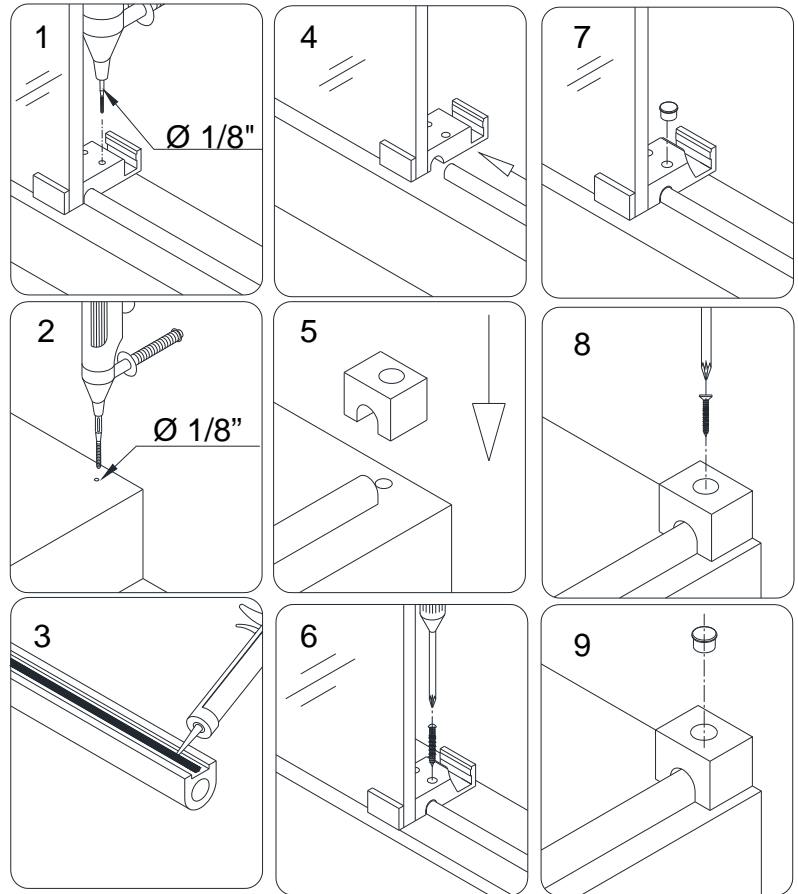


Fig. 13

12. Attach two **Rollers (04)** to the **Glass door (05)**.

Suspend the door by hanging the **Rollers** onto the **Upper guide rail (03)** and slide the bottom edge of the **Glass door** into the groove of the **Guide block (12)**.

Adjust the fasteners on both rollers to ensure that the bottom edge of the glass door does not touch the bottom of the guide block.

Then mount two **Roller guards (20)** on the door to secure the door to the **Upper guide rail**.

See Fig. 14 for details.

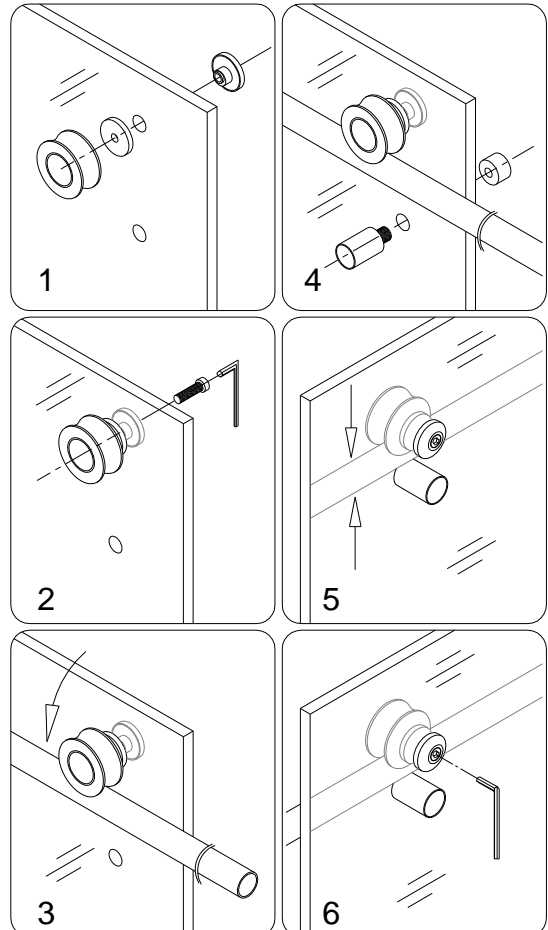


Fig. 14

13. Press the **Anti-water strip (14)** on the vertical edges of the **Stationary glass** and the **Glass door**. Also press the **Bumper strip (13)** on the vertical edge of the **Glass door**.

Mount the **Handle (06)** to the **Glass door**.

Adjust both **Door stoppers (01)** to ensure that they are positioned upright and the door is in its maximum opening and closing range. Tighten the set screw to fasten them in place.

See Fig. 15 for details.

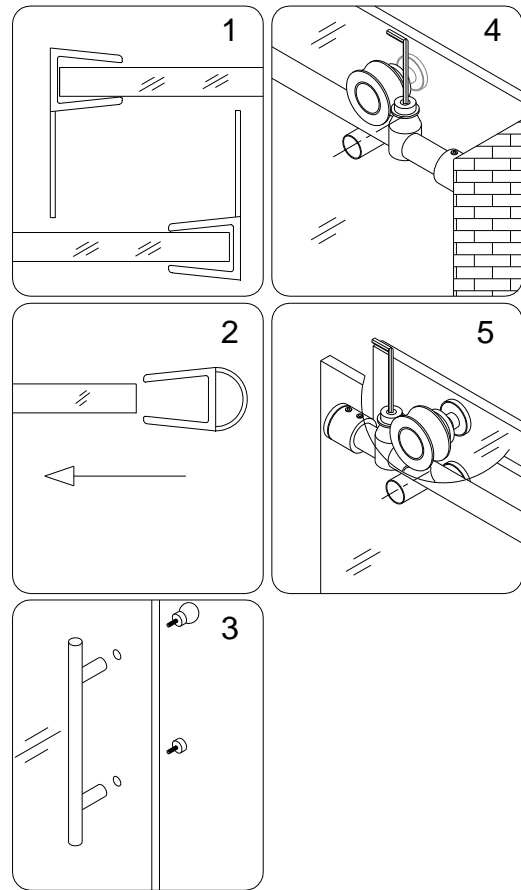


Fig. 15

14. Apply silicone at both ends of the **Anti-splash threshold**; around the **Guide block** and around the **Threshold bracket**.

See Fig. 16 for details.

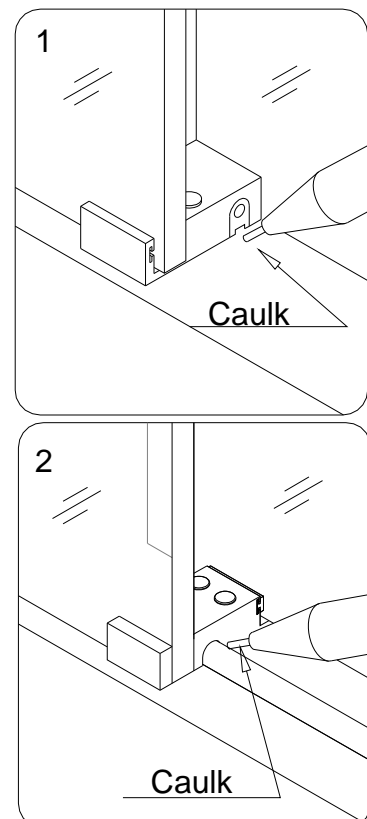


Fig. 16

15. Apply the sealant along the connection of the Stationary glass with the wall and the shower base or the threshold.

See Fig. 17 for details.

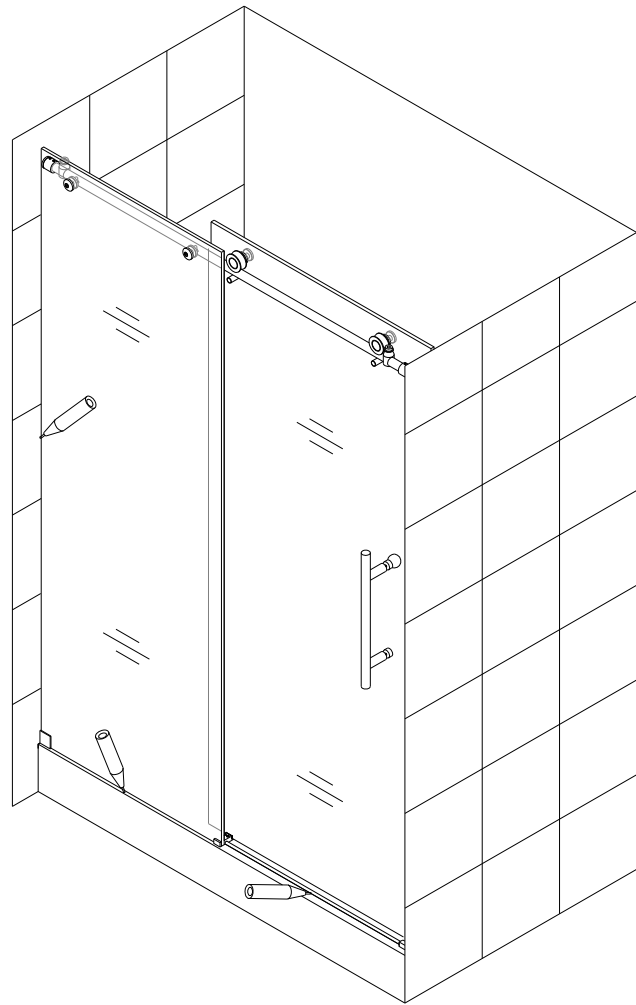


Fig. 17

Product Maintenance

To insure long lasting life for your acrylic back walls, wipe them off after each use with a soft cloth. To clean the acrylic back walls use non-abrasive sprays or cream based cleaners. Never use abrasive cleansers, metal brushes or scrapers that could scratch or dull the surface.

To insure long lasting life for your glass shower products, wipe them off after each use with a soft cloth. Rinse and wipe of the glass using either soft cloth or squeegee to prevent soap buildup. Never use abrasive cleaners and cleaning products that contain scoring agent because this may scratch the surface. Never use bristle brushes or abrasive sponges.

To assure a long lasting finish wipe off the metal parts after each use with a soft cloth. Do not use abrasive cleaners or cleaning products containing ammonia, bleach or acid. If accidentally used, rinse the surface as soon as possible to prevent finish peeling or corrosion. After cleaning the shiny finishes, rinse thoroughly and wipe dry with soft cloth. Clean stainless steel surfaces at least once a week. When applying stainless steel cleaner or polish, work with (not across) the grain. Never use abrasive sponge or cloth, steel wool or wired brushes.

This is Bath Authority LLC's ("DreamLine") exclusive written warranty effective April 1, 2011

This warranty extends only to the original owner/end-user for household use only and is not transferable to a subsequent owner. This warranty applies only to DreamLine™ products purchased from an authorized dealer and installed in United States or Canada. Proof of purchase (original sales receipt) must be provided with all warranty claims. **In no event shall the liability of DreamLine™ exceed the purchase price of the unit.**

If DreamLine™ shower doors, shower enclosures and shower bases are used commercially, DreamLine™ warrants such products to be free from defects in material and workmanship for one (1) year from initial date of purchase from an authorized dealer, with all other terms of this warranty applying except duration. If DreamLine™ vanities, vessel sinks and shower columns are used commercially, DreamLine™ warrants such products to be free from defects in material and workmanship for three (3) months from initial date of purchase from an authorized dealer, with all other terms of this warranty applying except duration. **DreamLine™ Jetted and Steam Shower Cabins are not intended for commercial use and there is no warranty extended for these products for commercial use.** DreamLine™ is not responsible for loss of use or profit under any circumstances.

DreamLine™ hereby disclaims all warranties for products sold as a dealer or store displays. DreamLine™ hereby disclaims all warranties for products used outside of the United States or Canada whether expressed or implied, including but not limited to the implied warranties of merchantability and fitness for a particular purpose.

DreamLine™ will, at its election, repair, replace with product of equal value or make appropriate adjustment where DreamLine's analysis or inspection of warranty claim discloses any such defects occurring in normal usage within the warranty period. DreamLine warranty obligation shall be discharged upon tender of replacement or repair. Purchaser's refusal to accept the tender terminates warranty obligation.

Cost of freight for returning products to DreamLine™ for repairs or replacement under this limited warranty are the responsibility of the customer. Cost of freight associated with shipping of replacement product or parts to the customer may be charged to customer. Any product replaced or repaired during the warranty period will be covered only for the remaining period of the original warranty. In no event will DreamLine be liable for costs of repair or replacement of any installation material, including but not limited to tiles, marble, etc. **DreamLine™ is not responsible for installation, removal or reinstallation costs of any product requiring warranty services.**

Improper modification or alterations of any DreamLine™ products will void the warranty. Any DreamLine products repairs must be performed by either a DreamLine authorized agent or a licensed experienced professional contractor. This warranty shall not apply to breakage or damages caused by normal wear and tear, fault, carelessness, abuse, misuse, misapplication, improper maintenance, alteration or modification of the unit, as well as chemical or natural corrosion, accident, fire, flood, act of God or any other casualty. Improper care and cleaning will void the warranty. Never use cleaners containing abrasive cleansers, ammonia, bleach, acids, waxes, alcohol, solvents or other products not recommended for chrome or similar finish, glass or acrylic. This will void the warranty. For additional product maintenance instructions please refer to product installation manuals. The warranty does not extend to any non-DreamLine™ plumbing or components installed by installers, end users or by any party other than DreamLine™.

THE FOREGOING WARRANTIES ARE IN LIEU OF ALL OTHER WARRANTIES, EXPRESSED OR IMPLIED, INCLUDING BUT NOT LIMITED TO THE IMPLIED WARRANTIES OF MERCHANTABILITY AND FITNESS FOR A PARTICULAR PURPOSE. BATH AUTHORITY LLC ("DREAMLINE") AND/OR SELLER DISCLAIM ALL LIABILITY FOR SPECIAL, INCIDENTAL OR CONSEQUENTIAL DAMAGES. DREAMLINE™ IS NOT LIABLE FOR PERSONAL INJURIES OR DEATH TO ANY PERSON OR FOR ANY DIRECT, SPECIAL, INCIDENTAL OR CONSEQUENTIAL DAMAGE, LOSS OF USE, LOSS OF TIME, LOSS OF PROFITS, INCONVENIENCE, INCIDENTAL EXPENSES, LABOR OR MATERIAL CHARGES, OR ANY OTHER COSTS RESULTING FROM THE USE OF ITS PRODUCTS OR PERTAINING TO THE APPLICATION OF THE PRESENT WARRANTY, OR RESULTING FROM THE REMOVAL OR REPLACEMENT OF ANY PRODUCT OR ELEMENT OR PART COVERED BY THIS WARRANTY.

DreamLine™ is not responsible for product code compliance or for verifying code restrictions on installation or use and any such compliance is excluded from this warranty. DreamLine™ reserves the right to modify this warranty at any time - such warranty modification will not alter warranty applicable at the time of sale of the products in question. The warranty terms for specific products are:

SHOWER DOORS, SHOWER ENCLOSURES AND SHOWER BASES

DreamLine™ warrants shower doors, shower enclosures and shower bases to be free from defects in workmanship and materials under normal residential use for a period of five (5) years from the initial date of purchase by the owner/end-user, contractor or builder from an authorized dealer.

SHOWER CABINS (JETTED & STEAM)

DreamLine™ warrants glass, acrylic and finish to be free from defects in workmanship for a period of five (5) years from initial date of purchase by the owner/end-user, contractor or builder from an authorized dealer; and plumbing, electrical and steam generator components for a period of one (1) year from the initial date of purchase by the owner/end-user, contractor or builder from an authorized dealer.

SHOWER COLUMNS

DreamLine™ warrants shower columns to be free from defects in workmanship and materials under normal residential use for a period of one (1) year from the initial date of purchase by the owner/end-user, contractor or builder from an authorized dealer.

VANITIES AND VESSEL SINKS

DreamLine™ warrants bathroom vanities and vessel sinks to be free from defects in workmanship and materials under normal residential use for a period of one (1) year from the initial date of purchase by the owner/end-user, contractor or builder from an authorized dealer.

Some states/provinces do not allow limitations on how long an implied warranty lasts, or the exclusion or limitation of special, incidental or consequential damages, so these limitations and exclusions may not apply to you. This warranty gives you specific legal rights. You may also have other rights, which vary from state/province to state/province.



TEL: 866-731-8378 – 215-957-1411

FAX: 866-227-9245 – 215-893-1780

WWW.BATHAUTHORITY.COM

For more information on [DreamLine™ Shower Doors](http://www.BathAuthority.com) & [Tub Doors](http://www.BathAuthority.com) please visit www.BathAuthority.com