

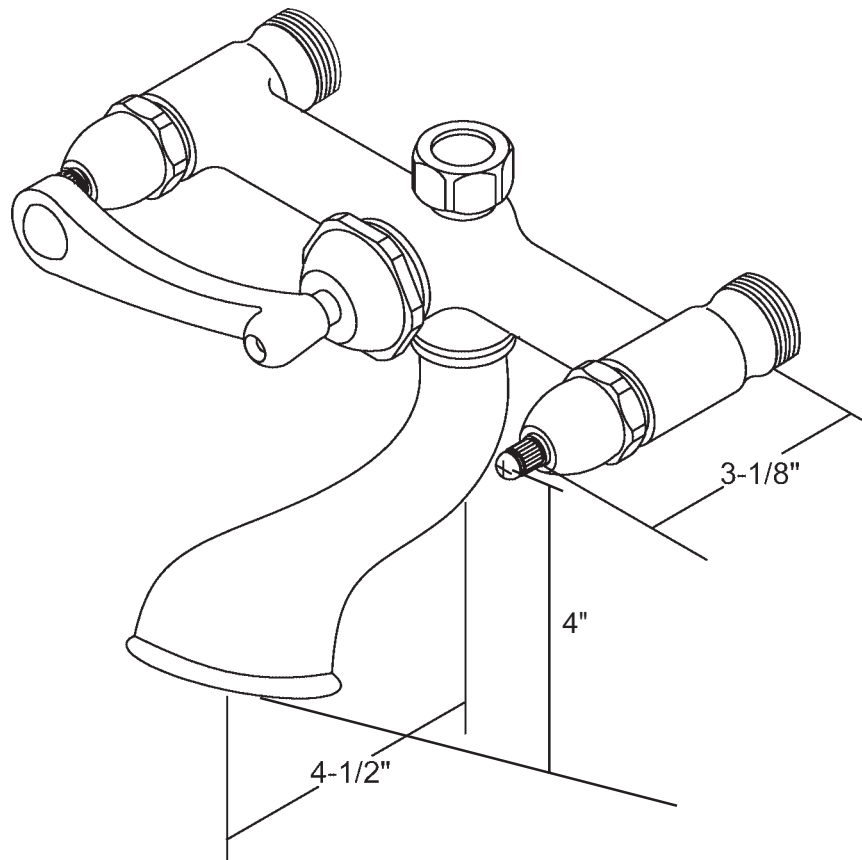


Specification for **TW31 - TW35**

For Tubwall Mount or mount on
Freestanding Supplies
1/4 turn Washerless Cartridges

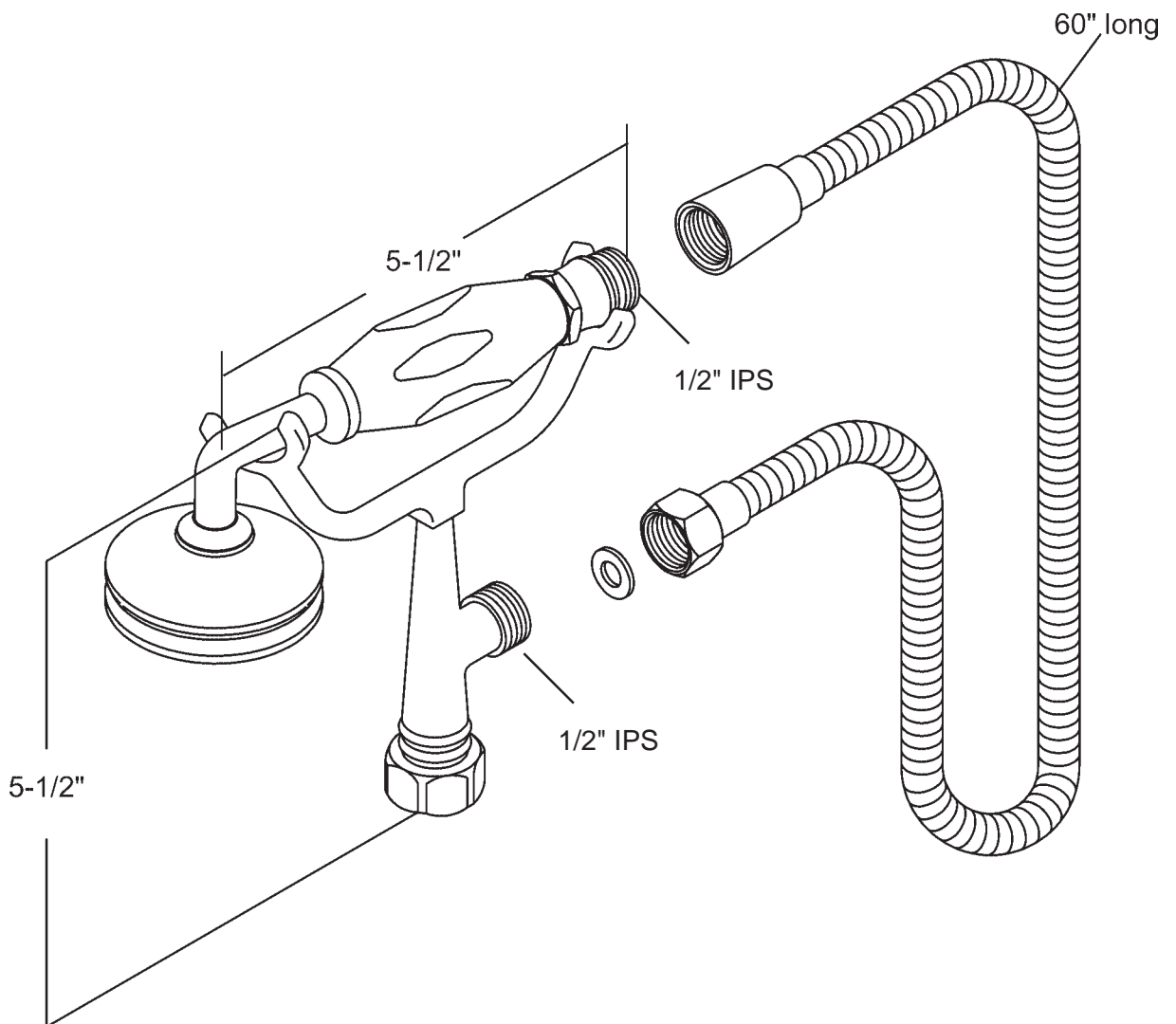
Flow Rate : 5.8 GPM @ 60 PSI
Handshower is 2.5 GPM

Inlets: 1/2" IPS





Specification for **TW31 - TW35** (Cont.)





Specification for **TW31 - TW35** (Cont.)

