

INSTALLATION / OWNER'S MANUAL

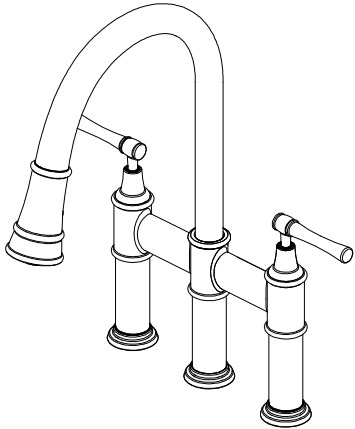
Double Handle Kitchen Faucet
Model LKEC2037

Important!

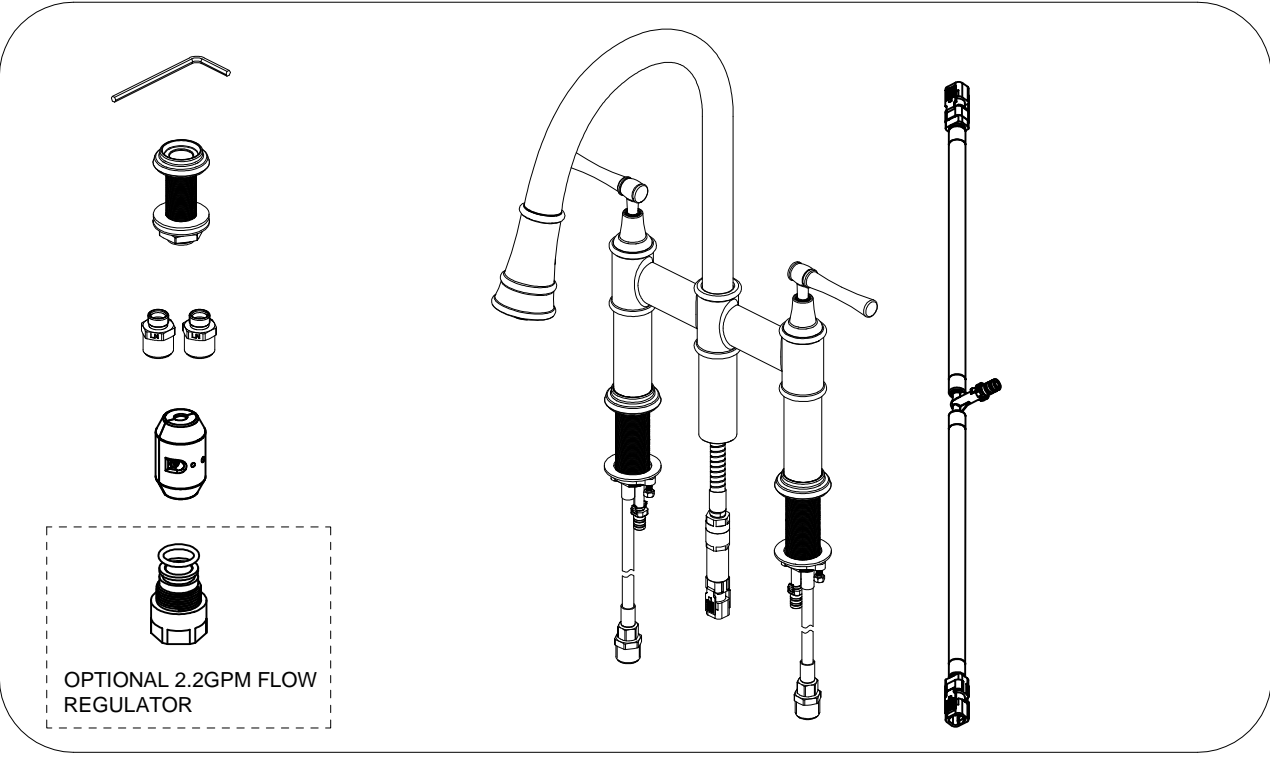
You choose the flow rate!
This faucet ships with an eco-friendly 1.5GPM flow regulator installed.

If you desire higher flow rate, a 2.2GPM flow regulator has also been included in the box.

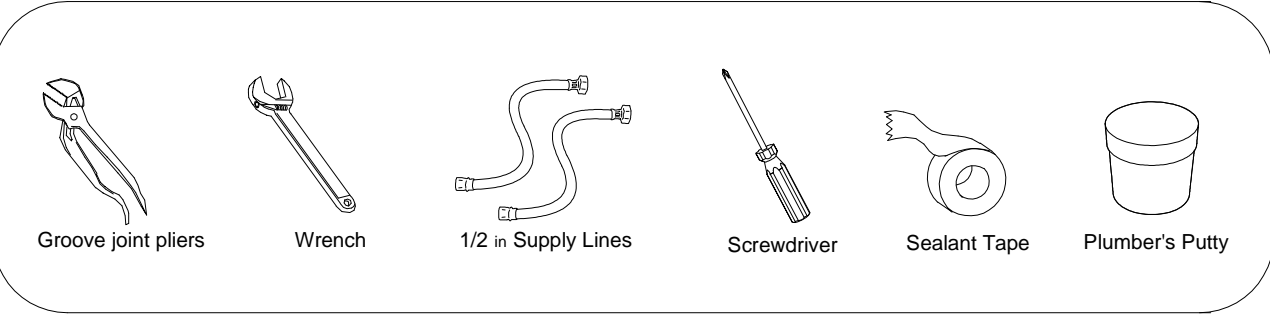
Switching the flow regulator is simple! See the "Flow Regulator Replacement" section for details.



INCLUDES:



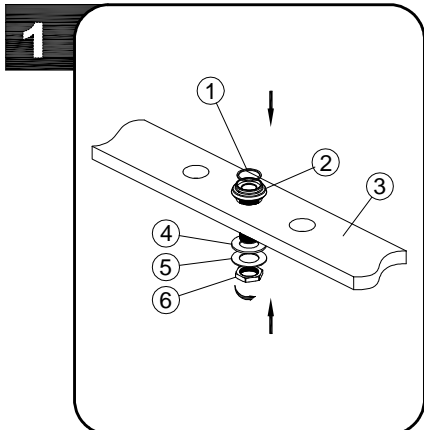
RECOMMENDED TOOLS:



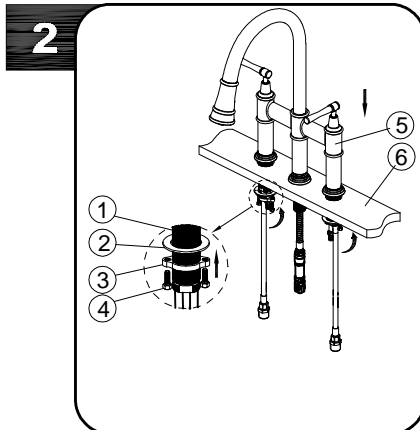
SAVE FOR CONSUMER

WARNING: Please carefully read and properly follow the instructions for installation found in this manual.

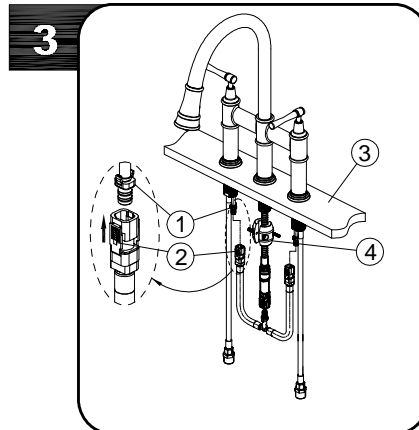
STEPS:



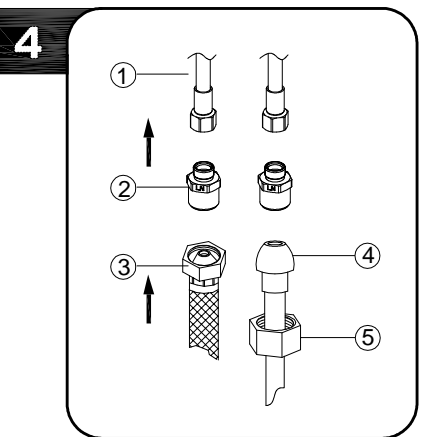
Shut off water supplies. Clean sink or countertop surface. Place flange assembly (2) through the center hole on the sink or countertop (3). Then lock it with rubber washer (1) and metal washer (5) and nut (6). Then place the rubber washer (1) on the flange.



Place new faucet (5) through the three holes in top of sink or countertop (6). From underside, assemble metal washer (1) and nut (2) onto valve body (3) and then tighten the screws (4). Do the same on the opposite side. Do not overtighten.

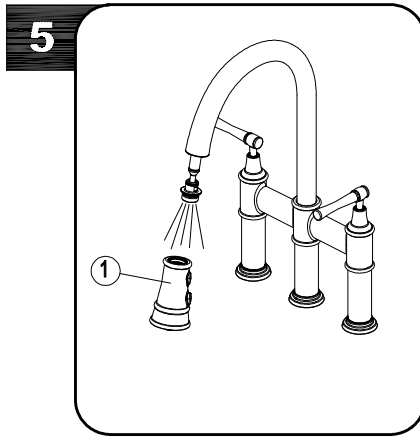


From underneath the sink or countertop (3), align block (1) and tabs (2) on Quick connects. Push Quick connect housing firmly upward and snap onto receiving block. Pull down moderately to ensure connection has been made. If it is necessary to remove quick connect, squeeze tabs on hose between index finger and thumb, then pull down to disconnect. After connecting the hose, install the weight (4) at the lowest point of the hose.



Make connections to water lines with 3/8" female compression supply hoses (1).

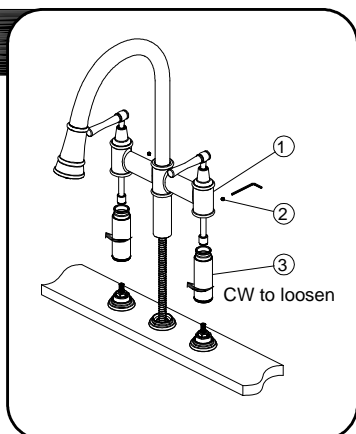
If additional hose length is needed, attach included 1/2" MIP thread adaptors (2) to supply hoses (1). Use 1/2" I.P.S. faucet connections (3) or coupling nuts (5) with 3/8" O.D. ball-nose riser (4) to make connections to water lines. Use wrenches to tighten connections. Do not overtighten.



To prevent damage to the internal parts of your faucet from debris that may have collected in the water lines, it will be necessary to flush the faucet. Remove spray head (1). Turn on hot and cold water supplies. Flush water lines for one minute. Reinstall the spray head tightly.

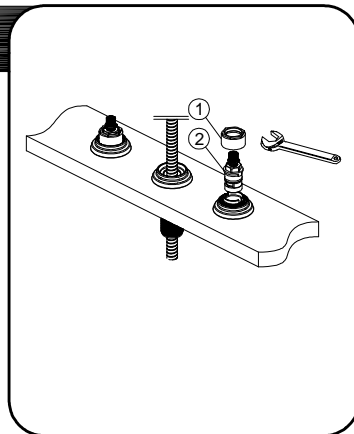
CARTRIDGE RELACEMENT

1



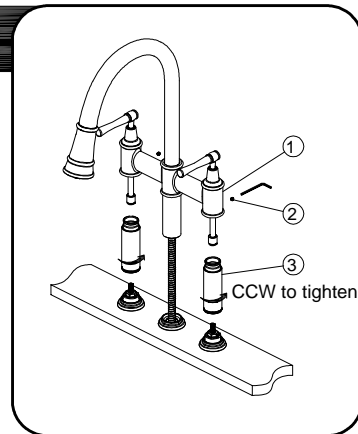
Shut off water supplies!
Loosen the screws(2) and raise the faucet(1). turn the tubes(3) clockwise.

2



Loosen the cartridge nut (1) and Remove the old cartridge (2) and replace with the new cartridge. Replace the cartridge nut (1) .

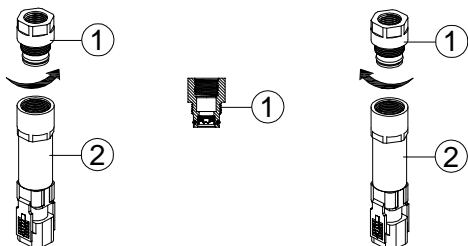
3



Turn the tubes (3) counterclockwise and reinstall the faucet(1). Tighten the screw (2). Do not overtighten.

Note: Install cartridge correctly for proper handle rotation.

FLOW REGULATOR REPLACEMENT



The faucet ships with a 1.5GPM aerator installed. An optional 2.2 GPM aerator is also included in the box. To switch the flow rate of the faucet:

1. Disassemble the quick connect assembly by separating the connector (1) and quick connect (2).
2. Replace 1.5 GPM connector(green) with the 2.2GPM connector.
3. Reinstall quick connect assembly.

CARE AND CLEANING INSTRUCTIONS

Congratulations on your purchase of an Elkay product. Although your product is extremely durable, attention should be given to the care, cleaning and maintenance of this product. Cleaning agents and abrasives may cause damage, which may result in oxidation and discoloration.

By following these simple guidelines for proper care and cleaning, it will give you years of enjoyment:

TO CLEAN: Simply wipe gently with a damp cloth and blot dry with a soft towel.

A common rule of thumb is:

when you dry off your hands, dry off your product.

- Avoid build-up of soap, toothpaste or mineral deposits, as these tend to have an adverse effect on the appearance of the product.
- NEVER use cleaning products of any kind on this product - especially those containing ammonia, bleach or alcohol - or those with any form of abrasive.

FOR CARE AND MAINTENANCE:

- The water in certain areas of the world can be very caustic - standing water around the product can cause damage. Be sure to remove standing water with a dry, soft cloth as soon as possible.
 - Before applying a protective coating, gently brush the entire fixture using a soft tooth brush. This will remove any dirt or deposit build-up.
 - These simple steps will add temporary protective coating to your faucet and extend the life of the finish.
- Failure to follow care and cleaning will void your warranty. For additional information, please visit elkayusa.com.

WARRANTY

ELKAY LIMITED LIFETIME WARRANTY

LIMITED LIFETIME WARRANTY

Elkay warrants that all parts and finishes of its Elkay Residential brand faucets are free from defects in materials and workmanship for the life of the product, if purchased after 1996. This warranty extends to the original consumer purchaser of the product only.

If the product should leak or drip during normal use, Elkay will provide, free of charge, a replacement cartridge. For other defects in material or workmanship, Elkay will, at its option, supply replacement parts (or if no longer available a comparable product). Elkay reserves the right to examine product in question and its installation prior to replacement.

What is not covered:

1. Damage caused by accident, negligence, misuse, abuse, improper installation or operation or failure to follow care or installation instructions enclosed with your product.
2. Damage occurring during shipment of the product (claims must be presented to the carrier).
3. Normal wear and tear.
4. Labor charges, costs of removal and reinstallation, and any damages to other property.
5. All industrial, commercial and business use whose purchasers are hereby extended a limited lifetime on mechanical parts and 5 years on finish.

What you must do to obtain warranty service:

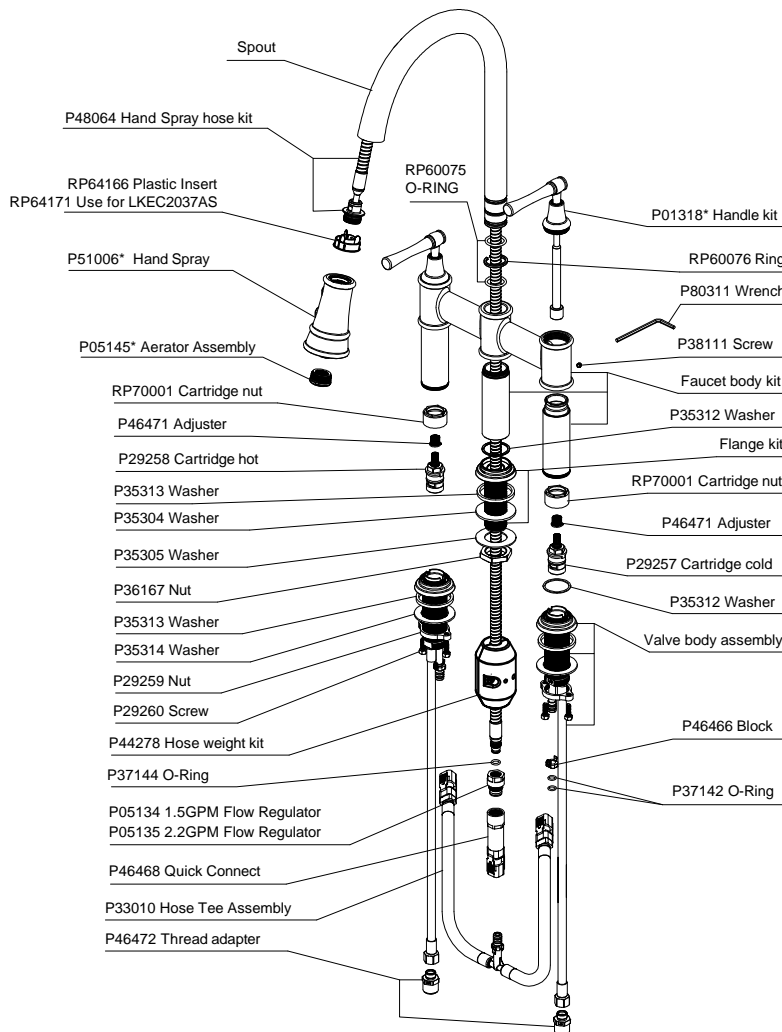
Either write to Elkay, attention Customer Care, 2222 Camden Court, Oak Brook, IL 60523 or call 1-800-223-5529. Please provide date or purchase and installation, description of nature of the defect, and model number or description of model and /or component part.

THIS LIMITED WARRANTY IS EXPRESSLY IN LIEU OF ANY OTHER WARRANTIES, EXPRESSED IMPLIED, ARISING BY LAW OR OTHERWISE, INCLUDING WITHOUT LIMITATION, ANY IMPLIED WARRANTY OF MERCHANTABILITY OR FITNESS FOR A PARTICULAR PURPOSE. THIS LIMITED WARRANTY MAY NOT BE ALTERED, VARIED, OR EXTENDED, EXCEPT BY A WRITTEN INSTRUMENT EXECUTED BY ELKAY. THE REMEDY OF REPAIR OR REPLACEMENT AS PROVIDED UNDER THIS LIMITED WARRANTY IS EXCLUSIVE. IN NO EVENT SHALL THE MANUFACTURER BE LIABLE FOR ANY CONSEQUENTIAL OR INCIDENTAL DAMAGES TO ANY PERSON, WHETHER OR NOT OCCASIONED BY NEGLIGENCE OF ELKAY, INCLUDING WITHOUT LIMITATION DAMAGES FOR LOSS OF USE,, COSTS PROPERTY DAMAGE OR OTHER MONETARY LOSS.

Some states do not allow the exclusion or limitation of incidental or consequential damages or limitations on how long an implied warranty lasts, so the above limitations or exclusions may not apply. This warranty gives you specific legal rights and you may also have other rights which vary from state to state.

This warranty covers product installed in the United States and Canada.

REPLACEMENT PARTS



NOTE: *- REQUIRES FINISH DESIGNATION