

SPECIFICATIONS

GENERAL

Highest quality. Sink bowls are seamlessly drawn of #18 gauge, type 304 (18-8) nickel bearing stainless steel. Self-rimming.

DESIGN FEATURES

Bowl Depths: 5" (Left Bowl), 8" (Right Bowl).

Finish: Exposed surfaces are hand blended to a lustrous highlighted satin finish.

Underside: Fully protected by heavy duty Sound Guard™ undercoating to prevent condensation and deaden sound.

Bowl and Faucet Deck Recessed: 3/16" below outside edge of sink.

OTHER

Drain Opening: 3-1/2".

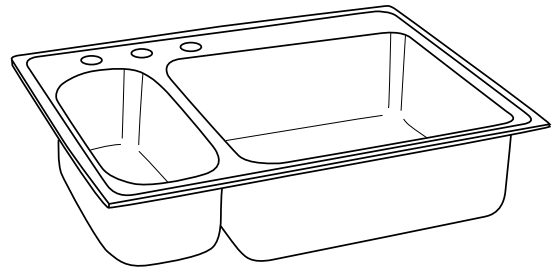
Faucet Holes: Available with 0, 1, 2, 3, 4 or 5, 1-1/2" diameter faucet holes. 4" center.

OPTIONAL ACCESSORIES

Rinsing Baskets: LKRB1520, LKRB715, VB1816 or LKERBSS.

Bottom Grid: LKBG2015.

Cutting Board: CB816.



Model LMR33223

This sink complies with ANSI Standard A112.19.3M.

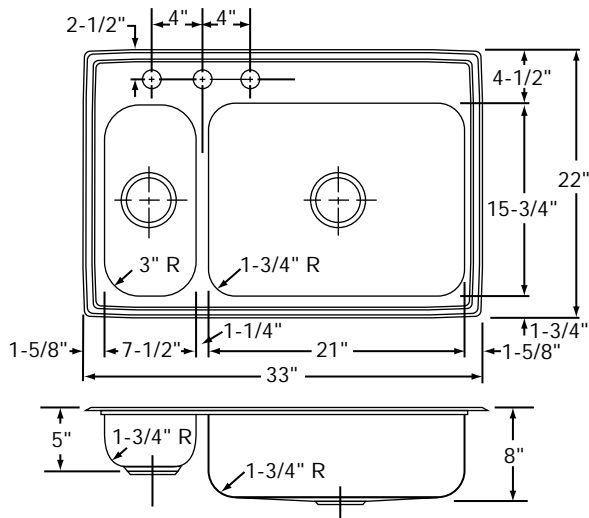


This sink is listed by the International Association of Plumbing and Mechanical Officials as meeting the requirements of the Uniform Plumbing Code.

SINK DIMENSIONS (INCHES)*

Model Number	Overall		Inside Left Bowl			Inside Right Bowl			Cutout in Countertop (1 1/2" Radius Corners)		Ship. Wt. Lbs.
	L	W	L	W	D	L	W	D	L	W	
LMR3322	33	22	7 1/2	15 3/4	5	21	15 3/4	8	32 3/8	21 3/8	21

*Length is left to right. Width is front to back.



Model LMR33223 Illustrated

ALL DIMENSIONS IN INCHES, TO CONVERT TO MILLIMETERS MULTIPLY BY 25.4.

In keeping with our policy of continuing product improvement, Elkay reserves the right to change product specifications without notice.

This specification describes an Elkay product with design, quality and functional benefits to the user. When making a comparison of other producers' offerings, be certain these features are not overlooked.