

# ELKAY<sup>®</sup>

## SPECIFICATIONS

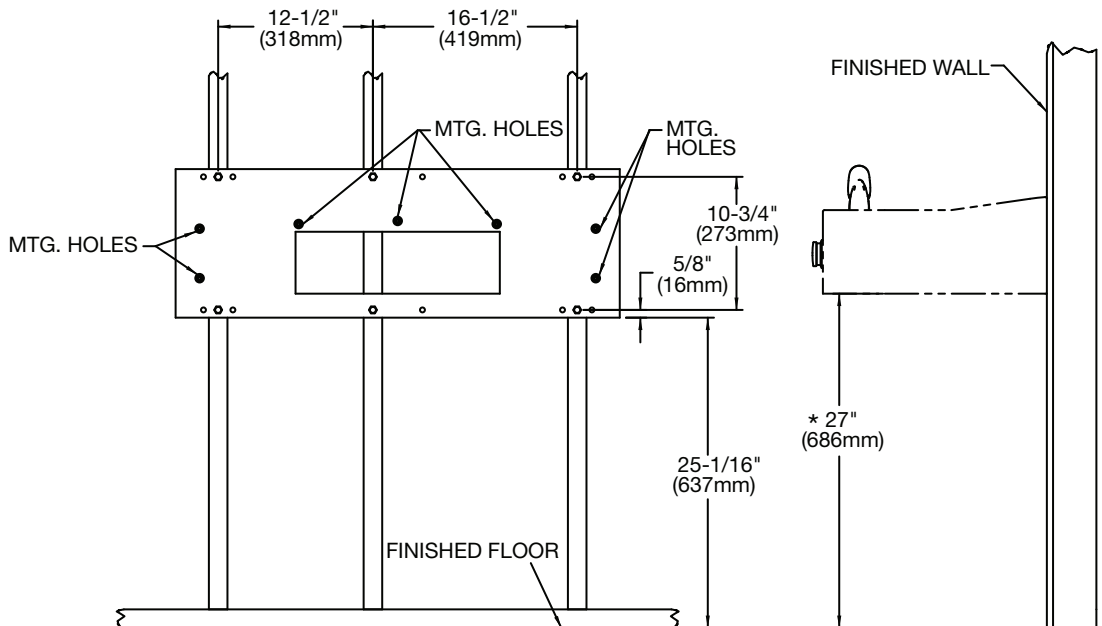
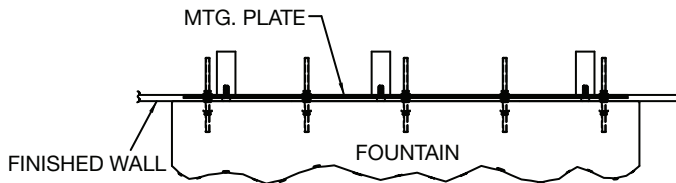
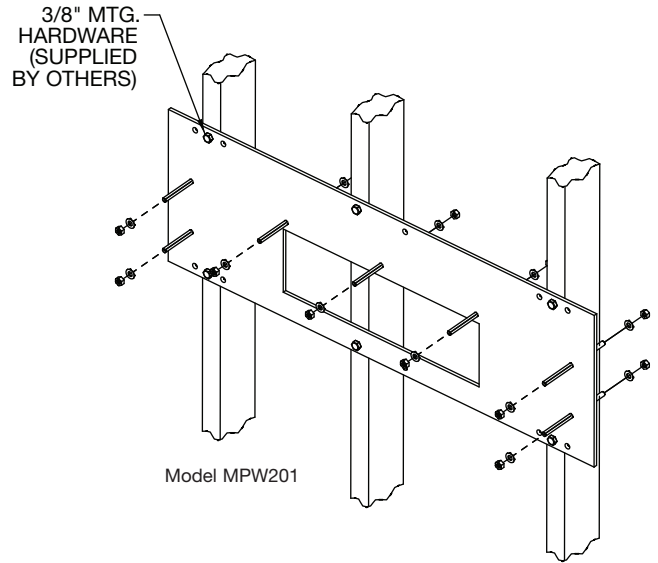
### In-Wall Mounting Plate Model MPW201

#### GENERAL

In-Wall Support Plate constructed of heavy gauge steel supports up to 300 lbs. Plate can be installed directly to studs or in conjunction with ML100 mounting legs. All parts painted with protective coating to last.

Universal design enables you to mount EDFP220RC.

Adjustable height setting allows for adult or child installation.



- \* ADA REQUIREMENT
- \*\* WITH STANDARD STUD LENGTH OF 6 INCHES.
- NOTE - AFTER INSTALLATION, THREADED RODS MAY NEED TO BE TRIMMED

*In keeping with our policy of continuing product improvement, Elkay reserves the right to change product specifications without notice.*

*This specification describes an Elkay product with design, quality and functional benefits to the user. When making a comparison of other producers' offerings, be certain these features are not overlooked.*