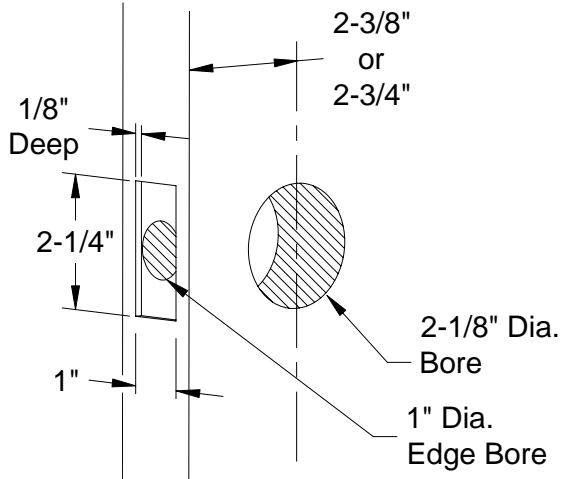
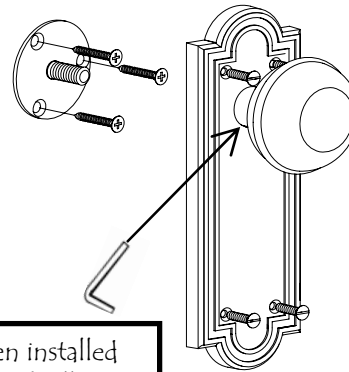


**IMPORTANT:** Knob location on the sideplate (top, middle, or bottom) varies depending on style. Determine proper orientation before drilling holes.

Door Prep. Active

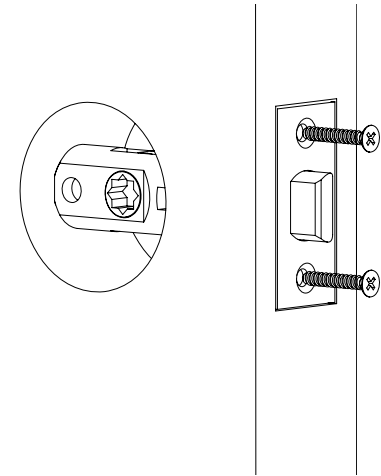


Dummy



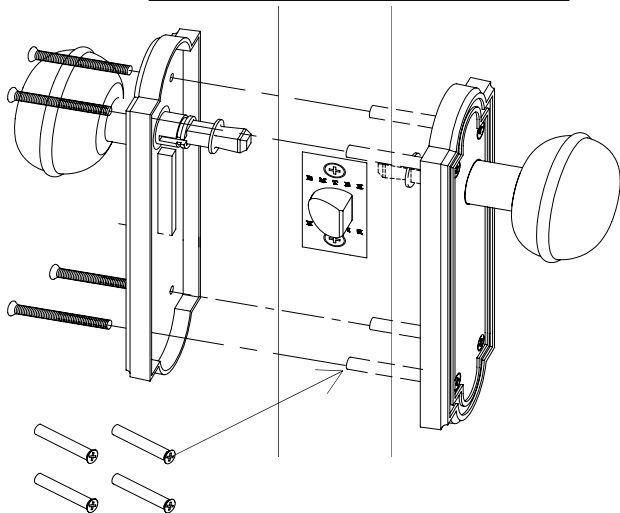
After lock has been installed tighten set screw with allen wrench.

Latch



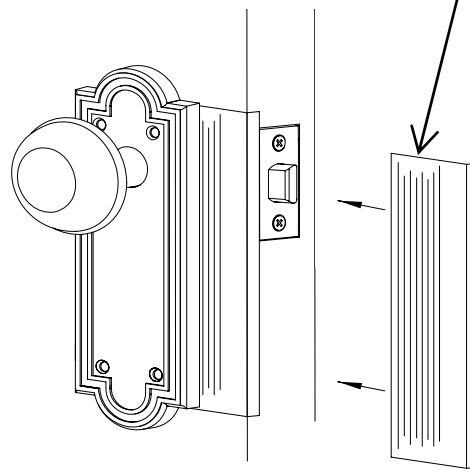
Optional Thru Bolts

Thru bolts (provided) may be used on hollow doors instead of wood screws (also provided).



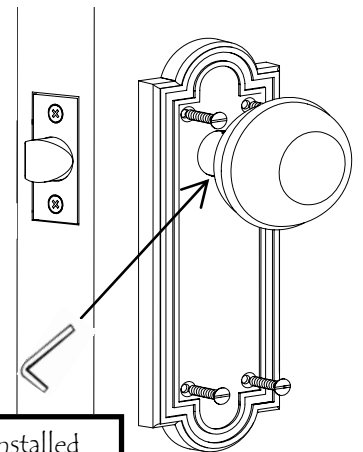
Align Plates

Edge Guide Provided



Align sideplates using edge guide.

Mount Plates



After lock has been installed tighten set screw with allen wrench.

Drill pilot holes, install wood screws or thru bolts as required (both types are provided).