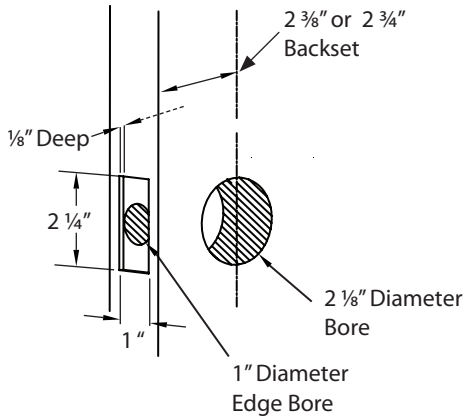
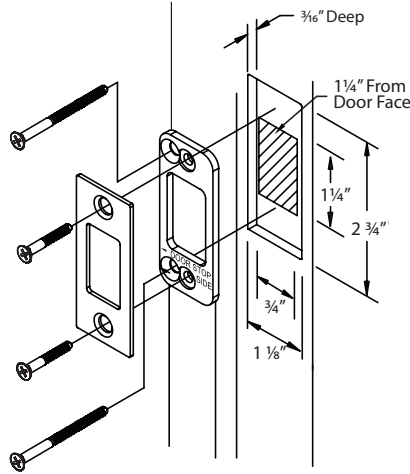


Installation Guide - Double Cylinder Deadbolts

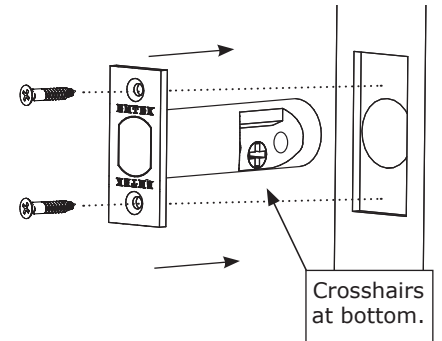
1. Door Prep



2. Door Jamb Prep



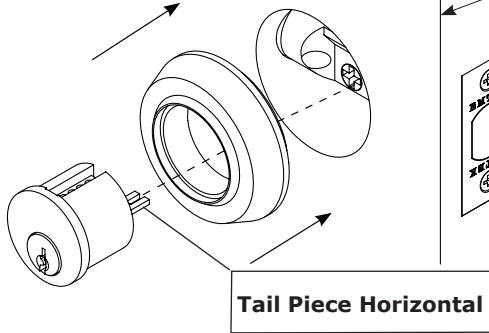
3. Install Latch



4. Outside Installation

Install Deadbolt on regular door.

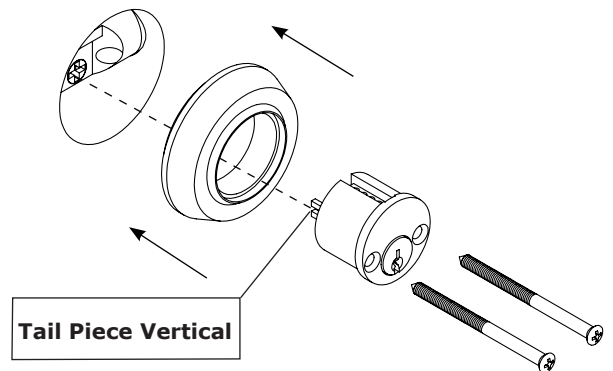
Door Thickness: 1 3/4" - 2 3/4"



5. Inside Installation

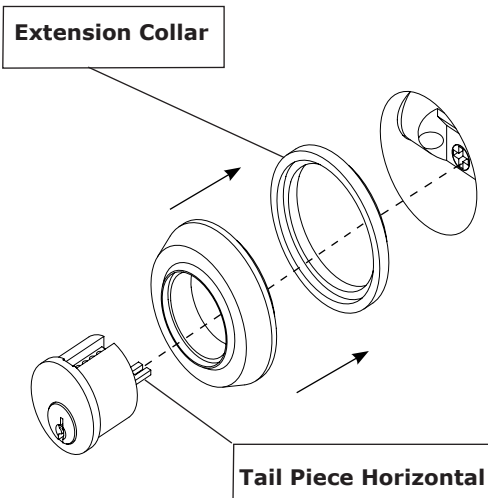
Install Deadbolt on regular door.

Door Thickness: 1 3/4" - 2 3/4"



Install Deadbolt on thin door. Extension Collar is provided for the following products:
8355, 8364

Door Thickness: 1 3/8" - 1 3/4"



Door Thickness: 1 3/8" - 1 3/4"

