

# Instructions

20-51132-S-CH – Chrome

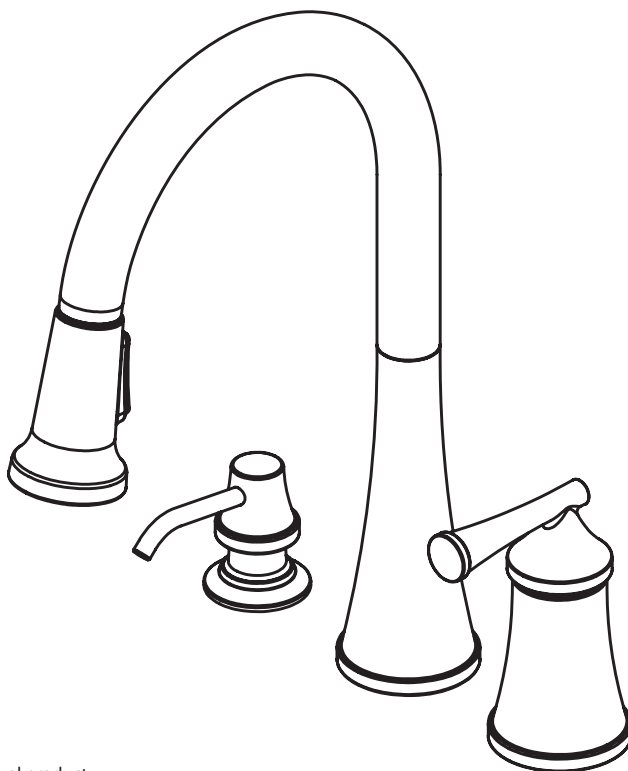
20-51132-S-BN – PVD Brushed Nickel



## Certifications



## Single Handle, Pull-Down, Kitchen Faucet



\*Image may vary slightly from actual product

### Tools Required

Adjustable Wrench  
Groove Joint Pliers  
Pipe Wrench  
Phillips Screwdriver  
Pipe Tape or pipe thread compound



### Safety Tips

If you solder the joints during installation of the faucet, the seats, cartridges, and washers must be removed before using a flame or the warranty will be voided on these parts.

Protect your eyes with safety glasses when cutting or soldering water supply lines.

Cover the sink drain to avoid losing parts.

### Things You May Need

Installations may vary depending on how the previous faucet was installed. Supplies necessary for the installation of your faucet are not all included; however, they are available wherever plumbing supplies are sold.

### Maintenance

Your new kitchen faucet is designed for years of trouble-free performance.

Keep it looking new by cleaning it periodically with a soft cloth. Avoid abrasive cleaners, steel wool, and harsh chemicals as these will dull the finish and void your warranty.

### Important Points

Prior to beginning installation, turn off the hot and cold water lines, then turn on the old faucet to release built-up pressure. When installing your new faucet, turn the connector nuts finger tight, then use one wrench to hold the fitting and a second wrench to tighten the nut. Connections that are too tight will reduce the integrity of the system.

Wrap all threaded connections with PTFE pipe tape available at your local hardware or plumbing supply store. Always wrap in a clock-wise direction.

### Contact Us

For Customer Service please call 877-319-3757, or go to [homeworksww.com](http://homeworksww.com).

# Instructions

20-51132-S-CH – Chrome  
20-51132-S-BN – PVD Brushed Nickel

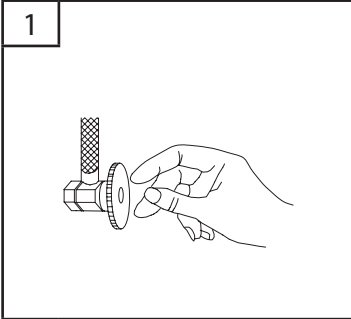


## Certifications

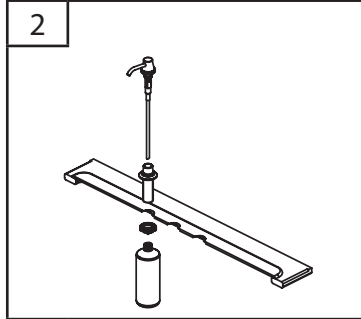


### Single Handle, Pull-Down, Kitchen Faucet

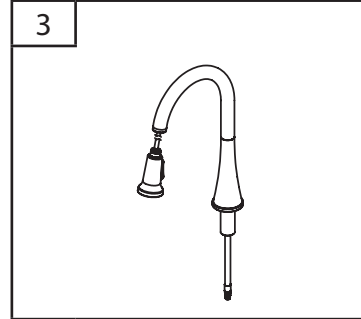
#### Preparation and Assembly



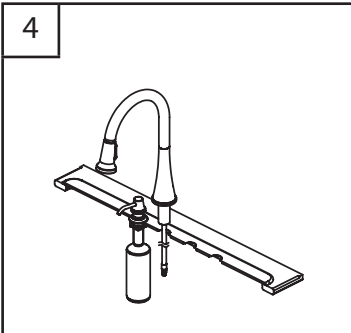
**1**  
Locate water supply inlet and shut off water supply valve. These are usually found under the sink or near the water heater. Remove old faucet. Clean and dry sink surface area where new faucet will be mounted.



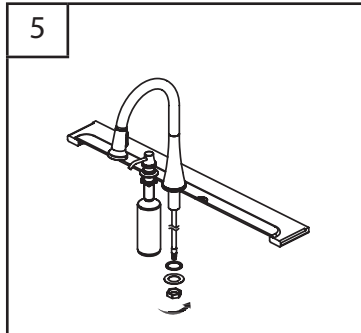
**2**  
**FOR MODELS WITH SOAP DISPENSER**  
Remove the bottle. Separate head from body assembly. Make sure flange is properly seated in the base of the body assembly. Insert body assembly through selected hole in sink. Secure body assembly to sink with nut. From under the sink, screw the bottle onto the body assembly shank, then attach head assembly.



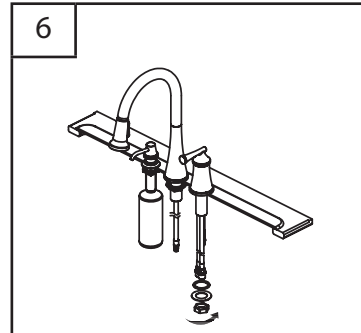
**3**  
**ATTACH SPOUT TO VALVE**  
Feed hose assembly through spout and hub. Attach sprayer to end of hose to keep hose in place. Rotate spout assembly to ensure smooth operation



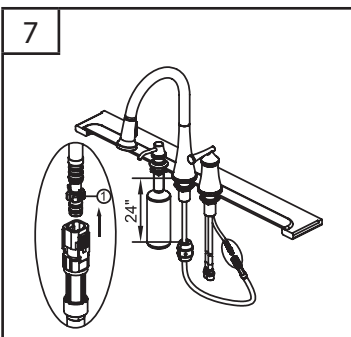
**4**  
**MOUNT FAUCET TO DECK**  
Insert faucet through mounting holes in sink. Your faucet is designed for a hole diameter of 1-3/8" ± 1/4" (35mm ± 6mm) and a deck thickness of up to 2-1/2" (64mm).



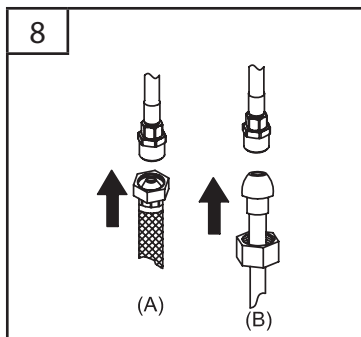
**5**  
From under sink, install rubber washer, metal washer and nut onto the mounting shank.



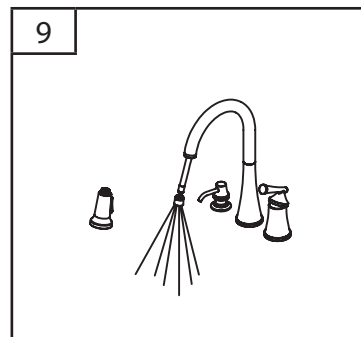
**6**  
Insert handle assembly through mounting holes in sink. From under sink, install rubber washer, metal washer and nut onto the mounting shank.



**7**  
**HOSE INSTALLATION**  
Align block (1) onto hose. Install quick connect onto spray hose. Push quick connect firmly onto outlet hose tab. Install weights onto spray hose. Locate the weights 24" from the underside of the sink deck.



**8**  
Connect water supply lines.  
(A) Use 1/2" IPS faucet supply lines or use coupling nuts (not supplied) with ball-nose risers (not included).  
Turn water supply or shut-off valve back on and check for leaks. If leaks occur, gently tighten the faucet connections.



**9**  
**FAUCET OPERATION AND INSPECTION**  
Turn on hot and cold water supplies. Pull the hose assembly out of the spout and remove the spray head. Be sure to hold the end of the hose down into the sink and turn faucet handle to the mixed position. Flush water lines for one minute. Check for leaks. Re-tighten if necessary, but do not overtighten. Reinstall the spray head tight.

# Troubleshooting

20-51132-S-CH – Chrome

20-51132-S-BN – PVD Brushed Nickel



## Certifications



### Single Handle, Pull-Down, Kitchen Faucet

#### Troubleshooting

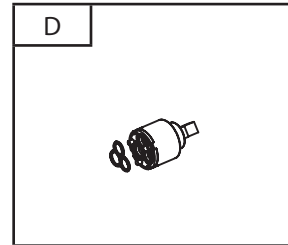
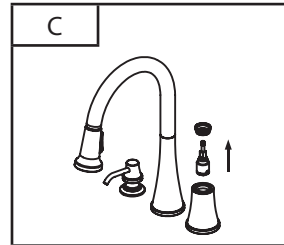
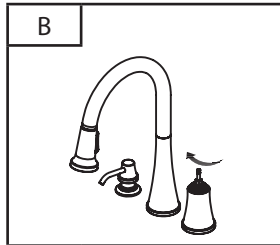
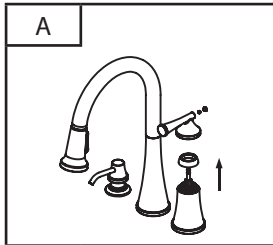
**PROBLEM:** Leaks underneath handle and water does not completely shut off

**CAUSE:** Bonnet has come loose or O-ring on cartridge is dirty or worn.

**ACTION:**

1. Remove handle by loosening the set screw with a Phillips screwdriver and unscrew cap (Diagram A).
2. Tighten the bonnet nut by turning it clockwise (Diagram B). Move the cartridge stem to the on position. The leak should stop draining out from around the cartridge stem.

3. If the leak does not stop, shut off the water supply. Remove the bonnet nut by turning it counter-clockwise. Lift out the cartridge (Diagram C). Clear or replace the cartridge by call Customer Service.
5. Re-install the handle.



# Specifications



## Physical Characteristics

- Description: Single handle kitchen faucet with 8" center distance, pull-down 2-function spray, ceramic cartridge, nylon hose, and matching soap dispenser
- Max. Flow Rate: 2.2 GPM (8.3 LPM)
- 3-hole installation
- Meets ASME A112.18.1/CSA B125 requirements
- Meets ANSI/NSF 61-9 low lead requirements
- This product complies with 0.25% weighted average lead content on wetted surfaces.
- Total Weight of Item: 6.623 lbs.

## Certifications



**20-51132-S-CH – Chrome**  
**20-51132-S-BN – PVD Brushed Nickel**

No.	Part Description	Material
1	Index	ABS ,C.P.
2	Set screw	SUS304
3	Handle	Zinc ZZnAl4
4	Connector	SUS304
5	Cap	ABS PA272
6	Bonnet	Brass C37700
7	Cartridge	AL2O3 96%+POM MS-02+PSU+Silicone KE961+PA6 B3EG6+304HC+POM M90
8	Ornament seat	Zinc ZZnAl4
9	Body	Brass C37700
10	O-ring	NBR N7012F
11	Hose assembly	Brass C37700+S.S 304+TPE+EPDM E7008F
12	Connection clip	POM M90
13	O-ring	NBR N7008F
14	Hose assembly	Brass +S.S. +Plastic +NBR
15	Body seat	Steel Q235A
16	Washer	EVA(DV PONT OSA)
17	Washer	NBR N7008F
18	Washer	SUS304
19	Mounting nut	Brass C37700
20	Shank	Steel Q235A
21	Coupling nut	Brass C37700
22	Spray head	ABS+POM+S.S+NBR+EPDM
23	Inverter	POM M90
24	Spout	Brass C37700
25	Wearable washer	POM M90
26	Spout nut	Brass C37700

No.	Part Description	Material
27	Spout seat	Zinc ZZnAl4
28	Washer	EVA L-30
29	Nut	Steel Q235A
30	Weights	Steel HT150+Q235A
31	Hose assembly	-
31A	Wearable washer	Delrin 500P NC010
31B	Connector	Brass C37700
31J	Hose	Brass C37700+Nylon+S.S302
31C	Washer	EPDM
31D	Washer	POM
31E	Washer	EPDM
31F	O-ring	EPDM E7008F
31G	Quick connector	Celcon M90
31H	Clip	POM
31I	Air valve	POM+S.S+NBR
32	Soap dispenser	Brass C37700+Plastic
32A	Cap	Brass C37700+C27000
32B	O-ring	EPDM E7008F
32C	Cap seat	ABS,white
32D	Pump	PP+S.S302+S.S304+NBR
32E	Sucker	PE HDPE
32F	Flange	Brass C37700
32G	Flange seat	ABS,white
32H	Washer	EVA L-30 ,white
32I	Tube	PP ,white
32J	Mounting nut	ABS ,white
32K	Bottle	PE

# Parts Diagram

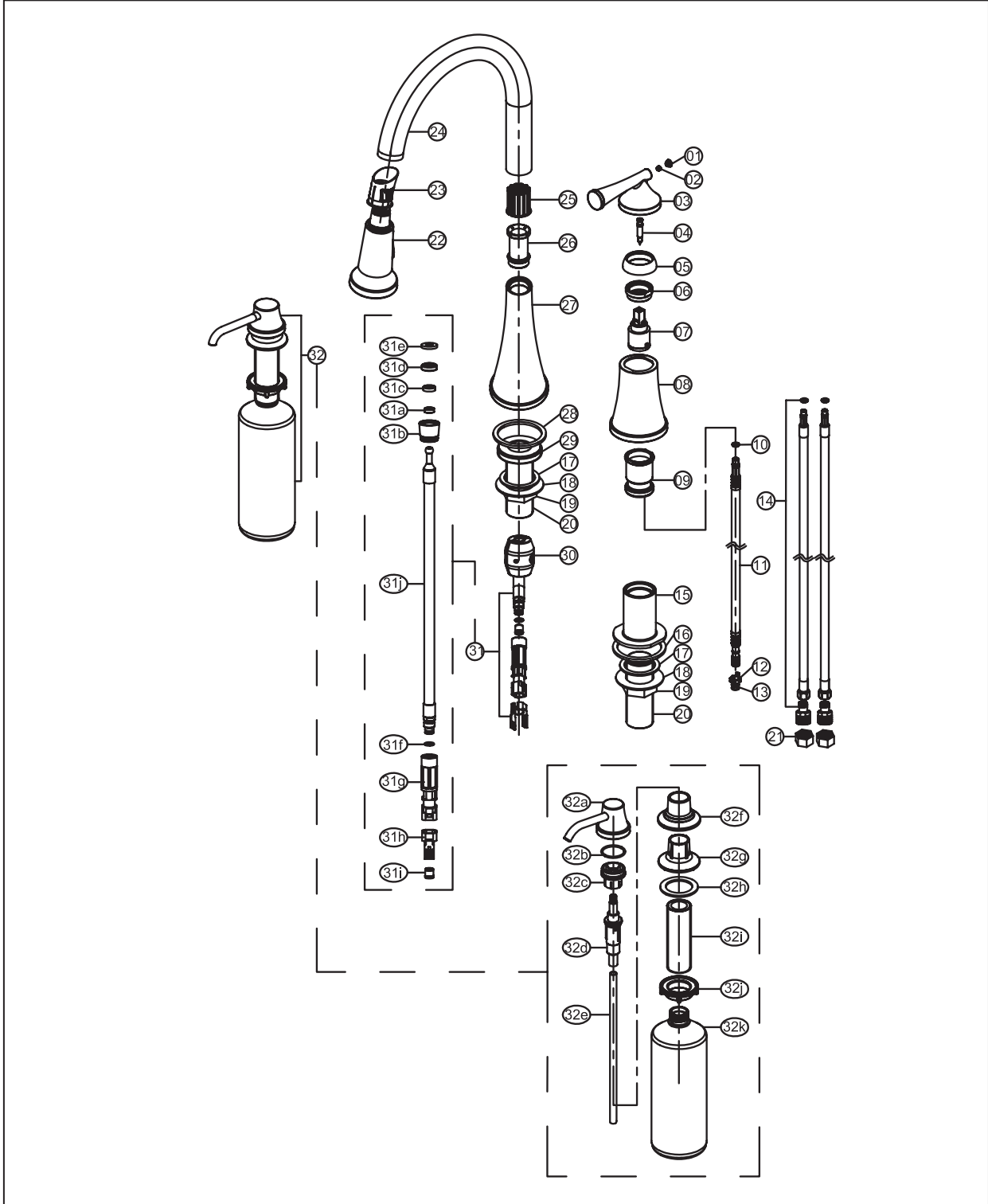
20-51132-S-CH – Chrome  
 20-51132-S-BN – PVD Brushed Nickel



Certifications



Single Handle, Pull-Down, Kitchen Faucet



# Rough-In

20-51132-S-CH – Chrome

20-51132-S-BN – PVD Brushed Nickel



## Certifications



### Single Handle, Pull-Down, Kitchen Faucet

