

Traditional Deck Mount Tub Filler

Model: TDTF-xx

Components:
T-FB1-xx (Faucet Body)
T-DLBO-xx (Deckmount Risers)

Features

- Solid Brass Construction
- 1/4" Turn Ceramic Disc Cartridge
- 1/2" Male IPS Inlets
- 8" Centers
- Double Check Valves
- PVD Anti-Tarnish Finishes (Noted by #)
- Limited Lifetime Warranty








Codes/Standards

Specified model meets or exceeds:

- ASME A112.18.1
- CSA B125.1
- Energy Policy Act of 1992
- IAPMO cUPC® Listed

Required Handles:

Handle Type	Image	Model Number
Metal Cross Handle		T-HCRS-xx
 Metal Lever Handle		T-HLVR-xx
 White Porcelain Lever Handle		T-HPLV-xx

Finish Codes:

Series Finish Codes

(Add to base model number, Example: T-FB1-SN)

Polished Chrome **PC**
Oil Rubbed Bronze **ORB**
Satin Nickel **SN**
Millenium Brass **MB**

= PVD Finish

Giagni reserves the right to make specification and pricing changes without notice or obligation, and to change or discontinue models and finishes.
All rights reserved. © Giagni 2008

Traditional Deck Mount Tub Filler

Model: TDTF-xx

Components:
T-FB1-xx (Faucet Body)
T-DLBO-xx (Deckmount Risers)

Technical Information

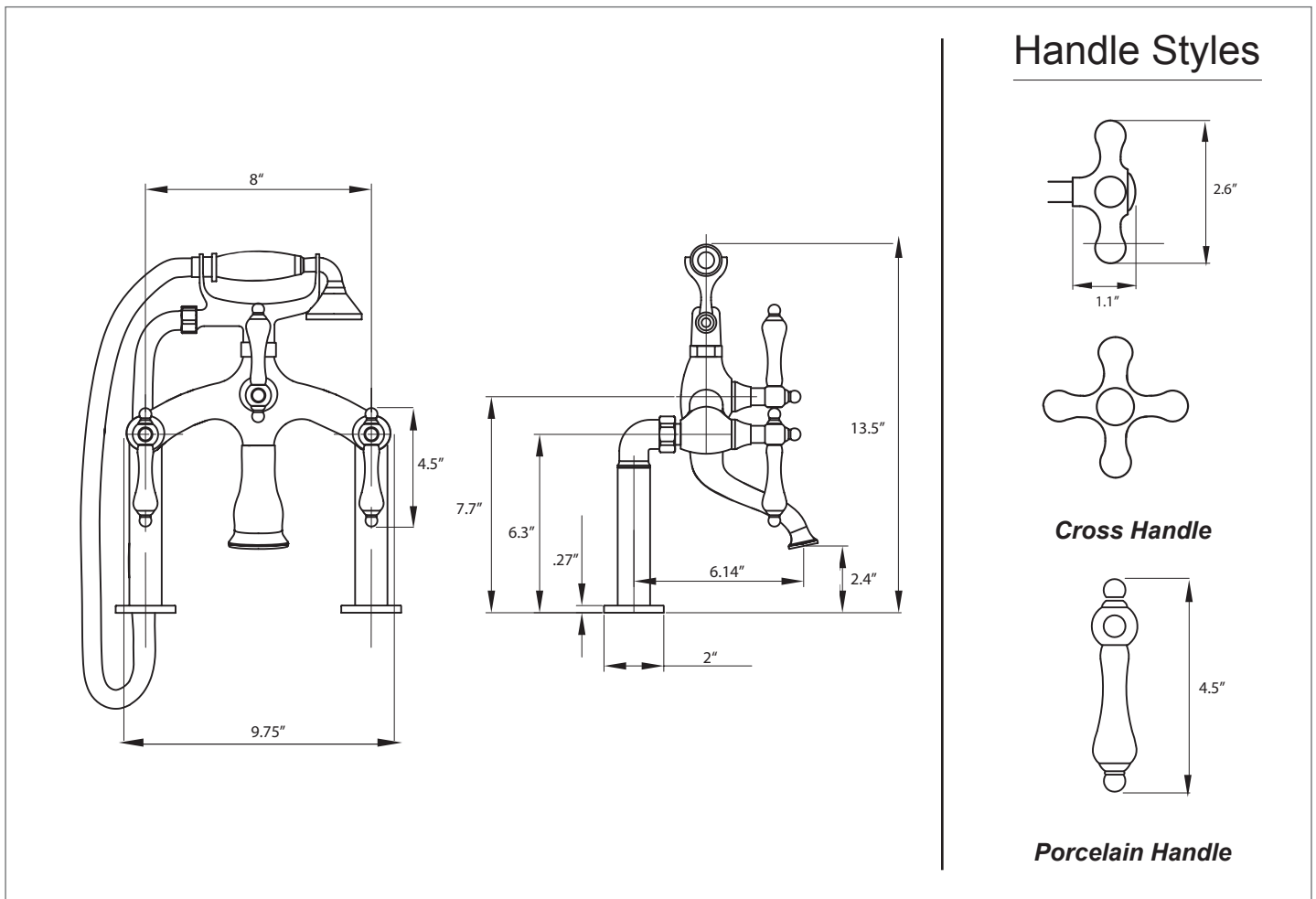
- Replacement parts available
- Toll-free helpline: 888-560-5222
- Flow Rate of tub filler:
 - 6.1 GPM @ 45 psi
 - 6.9 GPM @ 60 psi
- Flow rate of handshower:
 - 2.5 GPM @ 45 max
- 59" Handshower Hose Length

Warranty

Limited lifetime function and finish warranty to the original consumer purchaser covering defects in material and workmanship. 5 Year limited warranty for all industrial and commercial applications. See complete warranty statement for details

Installation Notes

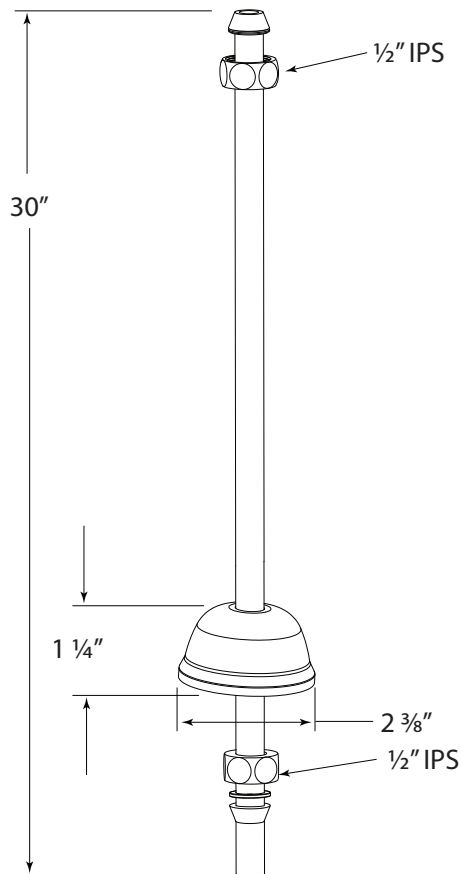
- Requires 1" hole diameter in tub rim
- Requires U-FSUP-xx water supply lines
- Optional shut off valves available, sold separately. (Model U-DVLV-xx)



All measurements are approximations and should be used for reference only. Giagni reserves the right to make specification and pricing changes without notice or obligation, and to change or discontinue models and finishes. All rights reserved. © Giagni 2008

Features/ Technical Information

- Tubing Diameter 1/2" OD



Specified Models:

Model No.	Product Description
U-FSUP	Supply Line w/ Escutcheon

Finish Codes:

* Supply Line Series Finish Codes

(Add to base model number, Example: U-FSUP-PC)

Polished Chrome	PC
Satin Nickel	SN
Millennium Brass	MB#
Oil Rubbed Bronze	ORB#

= PVD Finish

Giagni reserves the right to make specification and pricing changes without notice or obligation, and to change or discontinue models and finishes.
All rights reserved. © Giagni 2008