

# G i a g n i

## **Owner's Manual & Installation Guide**

Traditional Faucets

**Note: Read all instructions before proceeding with installation. All specifications are subject to change without notice.**

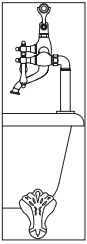


# Table of Contents:

Installing a Deckmount Faucet .....	2
Installing a Floormount Faucet.....	5
Installing a Wallmount Faucet.....	8

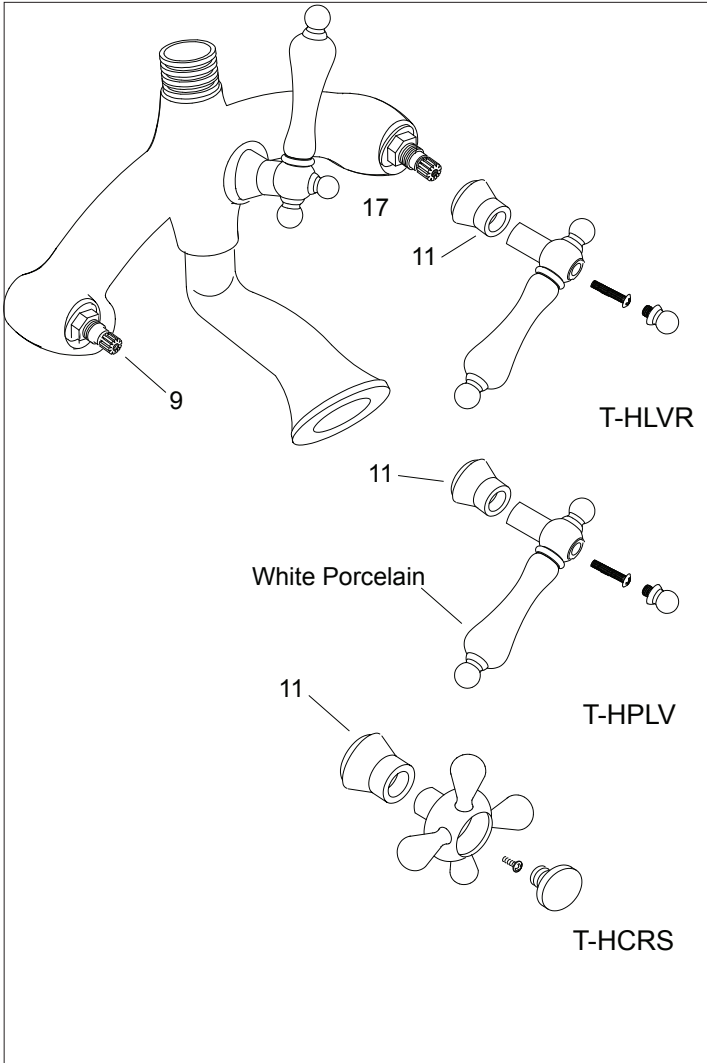
**NOTE: Due to the complexities of this installation a professional plumber is required.**

# TRADITIONAL DECK MOUNT TUB FAUCET



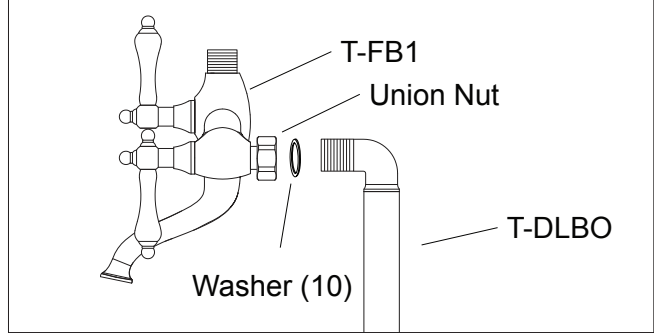
**Notes:**

1. Please ensure all local plumbing and building codes are observed when installing these faucets.
2. Water supply lines must be roughed in on 8" centers.



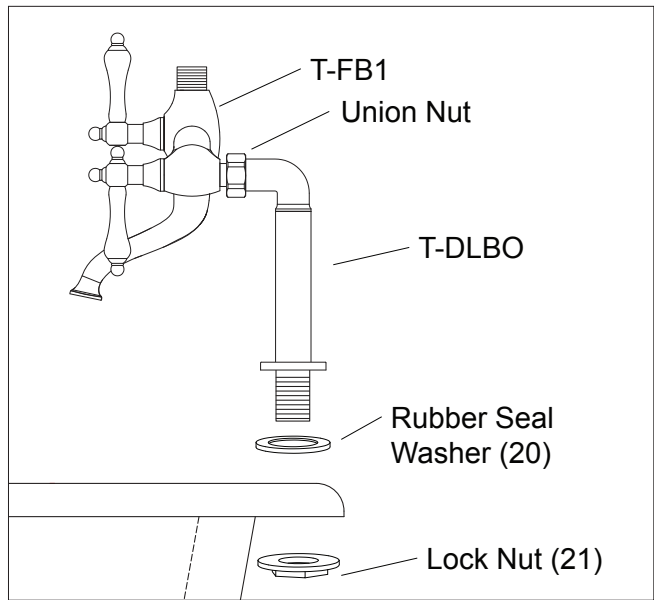
**Step 1**

Screw #11 handle hub onto hot/cold cartridges #9 and #17. Disassemble handle and install onto cartridge by securing with screw included. Reassemble handle.



**Step 2**

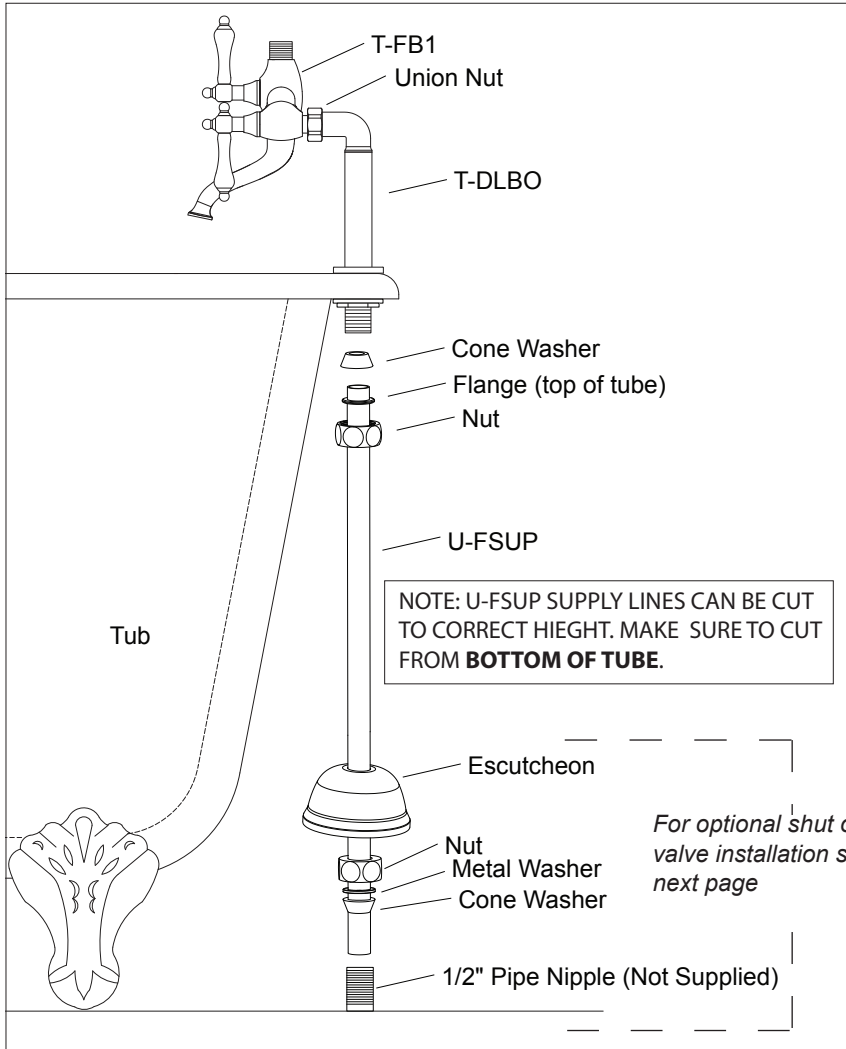
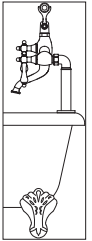
Attach T-DLBO deck elbows to union nuts on back of faucet body using one #10 rubber gasket on each elbow.



**Step 3**

Insert faucet through holes in tub rim with #20 seal washer above the deck and secure with #21 locknut. NOTE: If your tub does not have faucet holes use a 1" hole saw and drill holes in deck centered across the overflow hole on 8" centers.

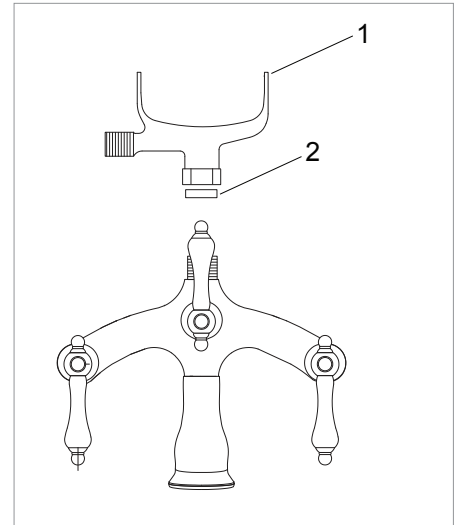
# TRADITIONAL DECK MOUNT TUB FAUCET (cont.)



## Step 4

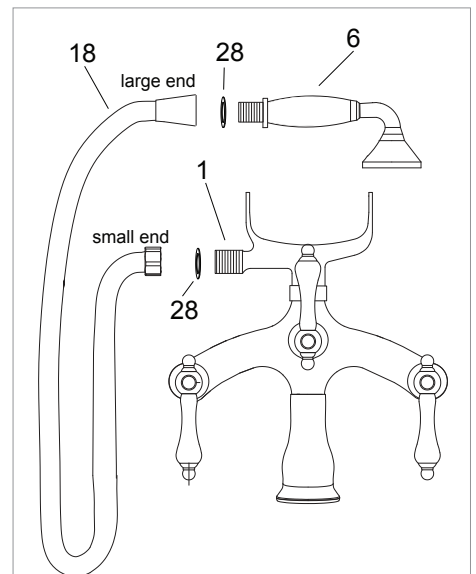
Cut U-FSUP supply lines to correct height for application and attach to threaded shank of faucet. (NOTE: Supply lines must be cut from bottom of tube) Connect preferred 1/2" pipe, supplied by installer, into female threaded nut at bottom of supply line to make hot/cold water connections.

*For optional shut off valve installation see next page*



## Step 5

Attach #1 handshower holder with #2 rubber gasket to outlet above diverter handle.



## Step 6

Attach small end of #18 handshower hose with #28 washer to outlet on side of #1 handshower holder.

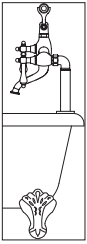
## Step 7

Attach large end of #18 handshower hose with #28 washer to #6 handshower and place in #1 holder.

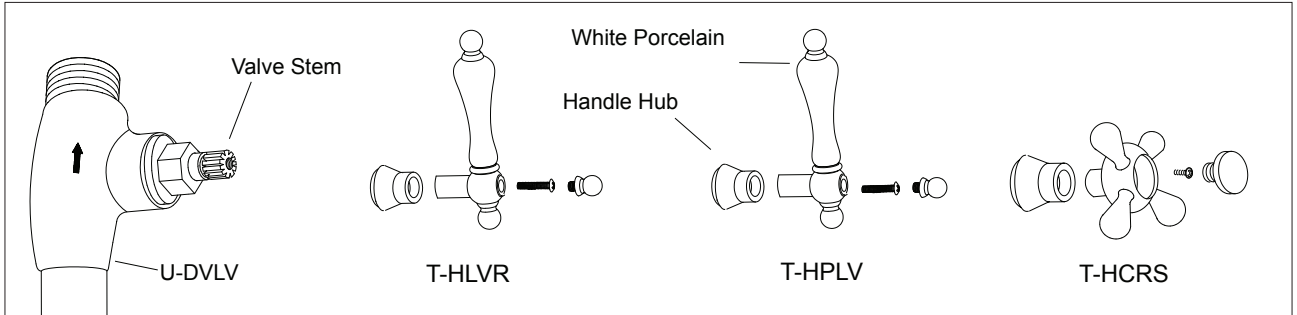
## Step 8

Turn on water and check all connections for leaks.

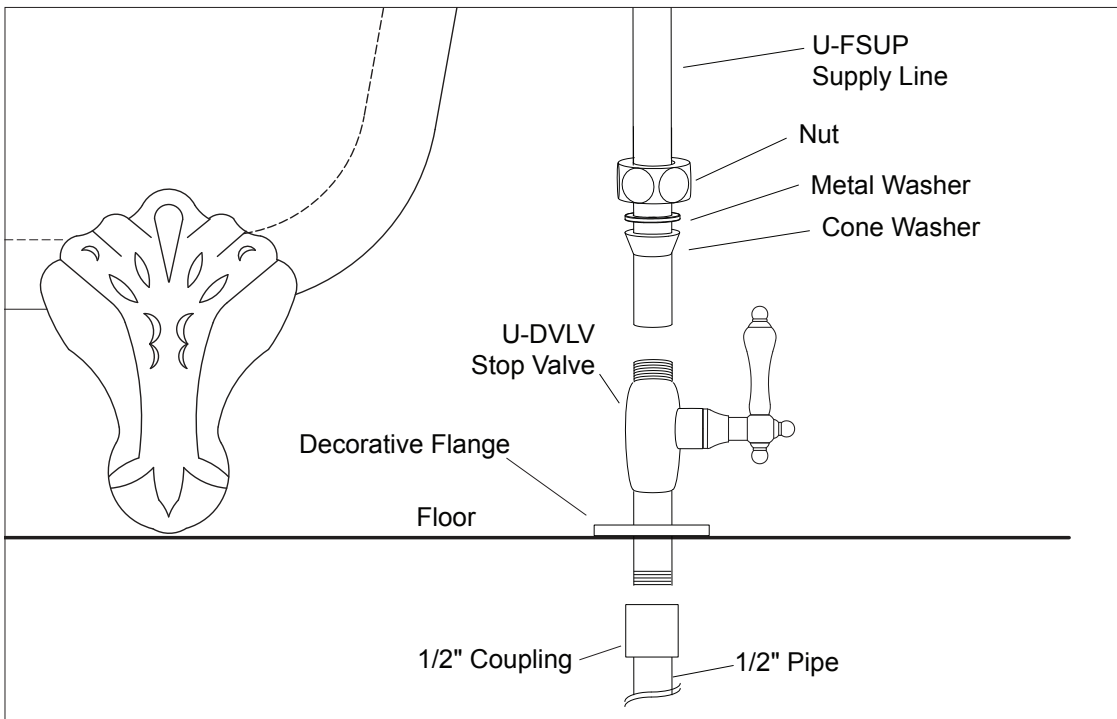




# TRADITIONAL DECK MOUNT OPTIONAL SHUT OFF VALVE

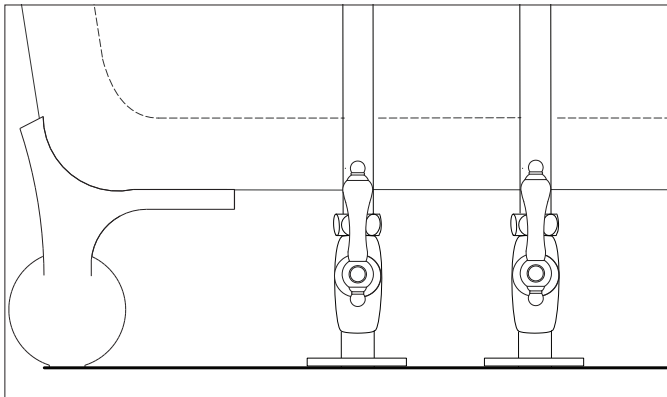


**Step 1** Screw handle hubs onto valve stems. Disassemble handle and install onto stem by securing with screw included. Reassemble handle. **NOTE:** Rotate valve stem counter-clockwise until it stops to open valve prior to installing handle. Handle must be installed pointing up.

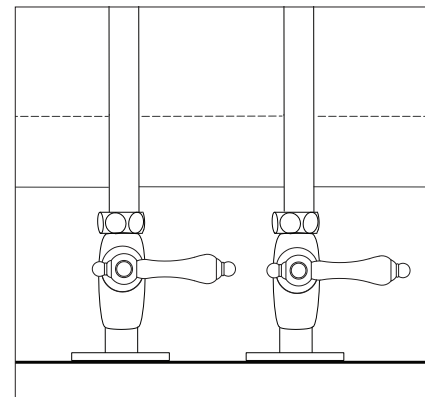


**Step 2** Slide decorative flange onto bottom of U-DVLV stop valve. (Note: Slide slowly to avoid scratching finish) Connect stop valve to 1/2" coupling, supplied by installer, below the floor. Slide decorative flange down to floor.

**Step 3** Cut U-FSUP supply line to appropriate length and connect to stop valve with nut, metal washer and cone washer. Proceed with Step 5 on page 3 to complete faucet installation.

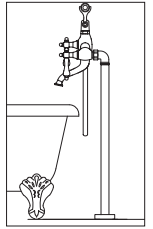


Valves In Open Position



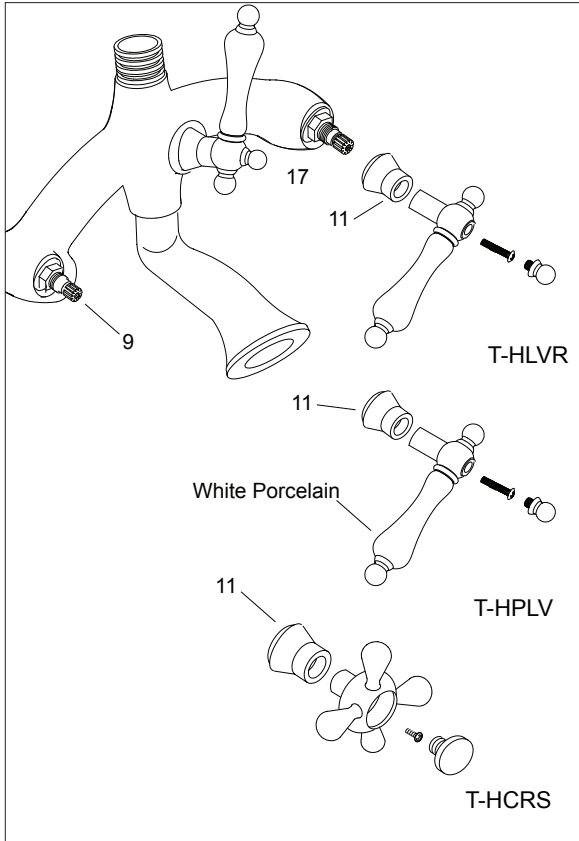
Valves In Closed Position

# TRADITIONAL FLOOR MOUNT TUB FAUCET



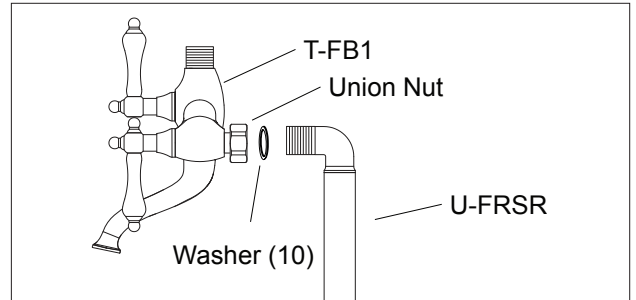
**Notes:**

1. Faucet is not for use on concrete floors.
2. Please ensure all local plumbing codes are observed during installation
3. Water supply lines must be roughed in on 8" centers.



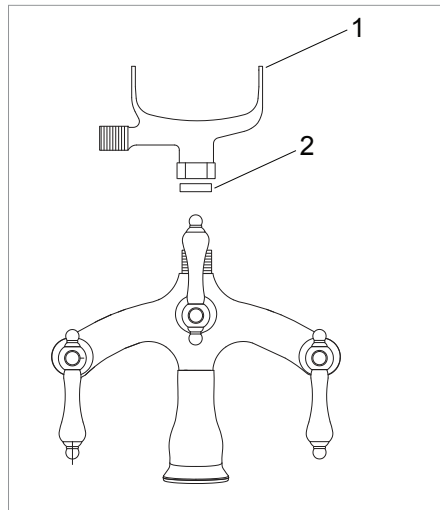
**Step 1**

Screw #11 handle hub onto hot/cold cartridges #9 and #17. Disassemble handle and install onto cartridge by securing with screw included. Reassemble handle.



**Step 2**

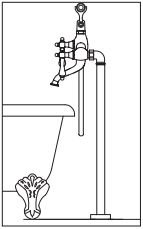
Attach hot and cold risers U-FRSR to union nuts on back of faucet body using one #10 rubber gasket on each riser.



**Step 3**

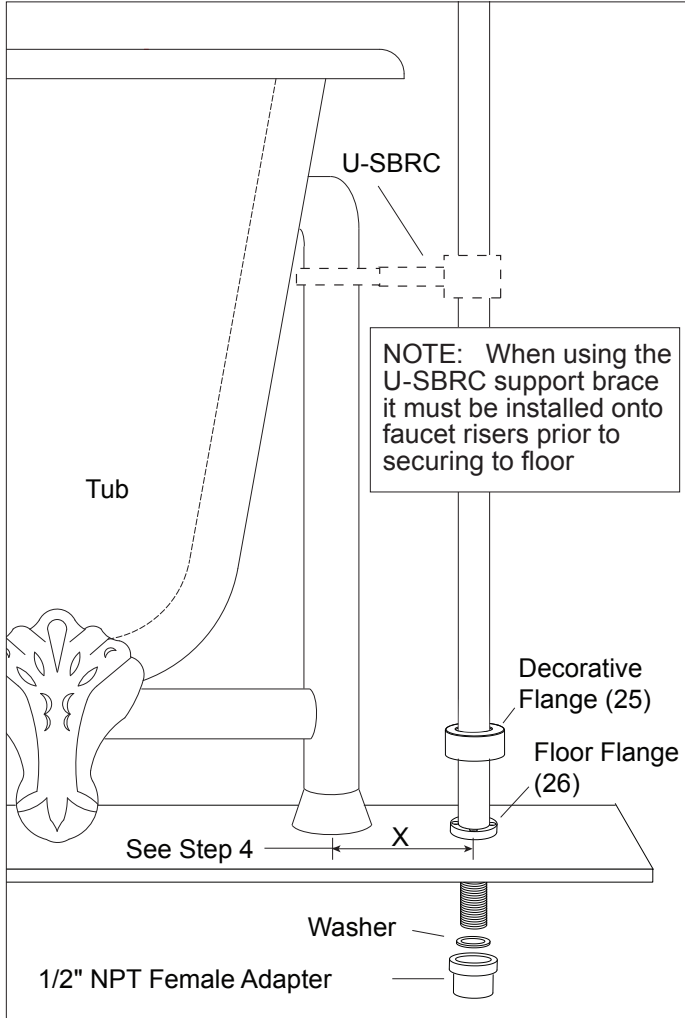
Attach #1 handshower holder with #2 rubber gasket to outlet above diverter handle.





# TRADITIONAL FLOOR MOUNT TUB FAUCET (cont.)

Side View



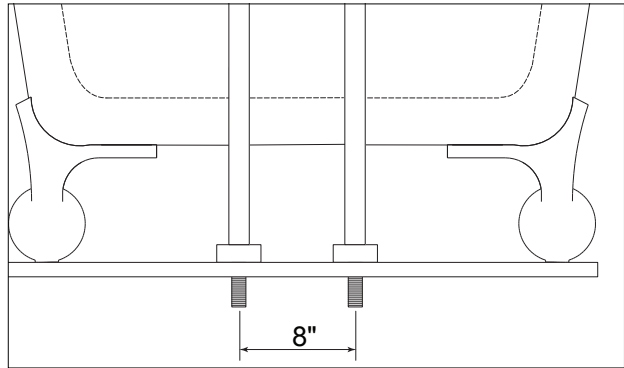
**Dimension X**

If using support bracket	3-3/4"
If NOT using support bracket	2-1/2" TO 3-1/2"

**Step 4** Drill (2) 1-1/8" holes into floor on 8" centers for hot and cold water supplies. If using U-SBRC support brace, water supply holes must be drilled at 3-3/4" from drain outlet (center to center). If not using support brace, holes should be drilled at 2-1/2" minimum to 3-1/2" maximum from drain outlet (center to center).

**Step 5** If desired, attach U-SBRC support bracket to risers. See page 7. (*Tub model LCAT-167 does not have an exposed drain so support brace will not be used*)

End View

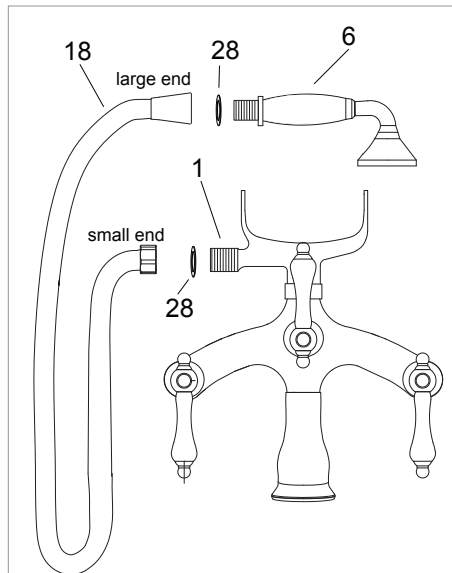


**Step 6** Slide #25 decorative escutcheon onto bottom of risers U-FRSR and push part way up. Screw #26 floor flange onto threaded portion of each riser until it stops.

**Step 7** Insert risers into hole in floor and secure floor flanges with appropriate screws/bolts for your flooring type. (Hardware not included)

**Step 8** Slide decorative escutcheon down to cover floor flange.

**Step 9** Tighten optional support bracket to risers and drain



**Step 10** Attach small end of #18 handshower hose with #28 washer to outlet on side of #1 handshower holder.

**Step 11** Attach large end of #18 handshower hose with #28 washer to #6 handshower and place in #1 holder.

**Step 12** Connect preferred 1/2" pipe (supplied by installer) into female threaded riser U-FRSR from under flooring. Make hot/cold water connections. Turn on water and check all connections for leaks.



## SUPPORT BRACKET INSTALLATION (for floormount faucets)

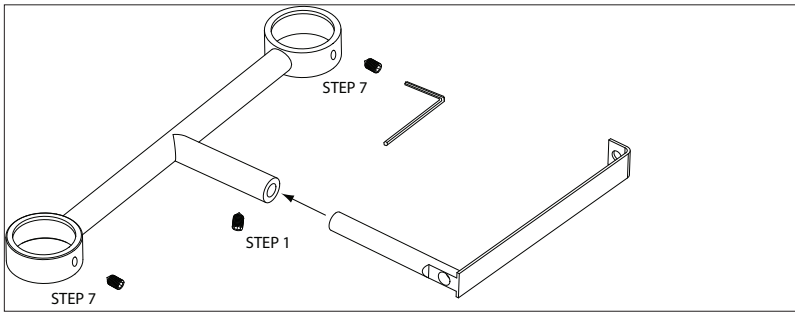


FIGURE 1 Bracket Assembly

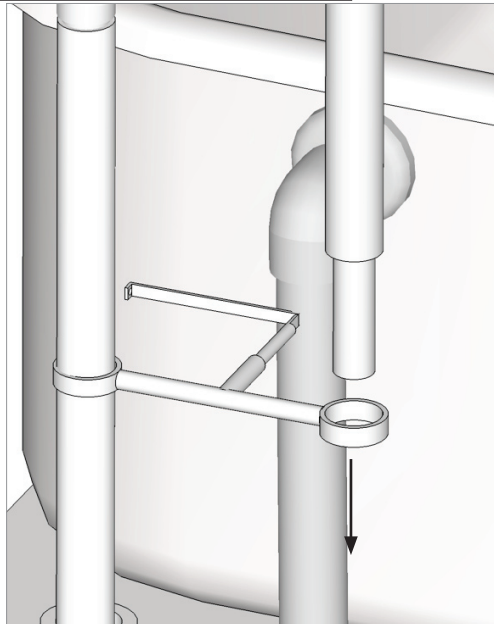


FIGURE 2 & 3 Slide Bracket

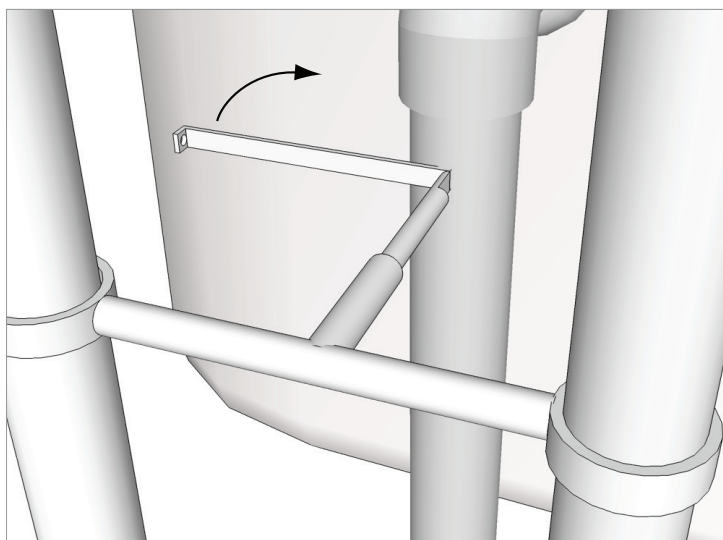
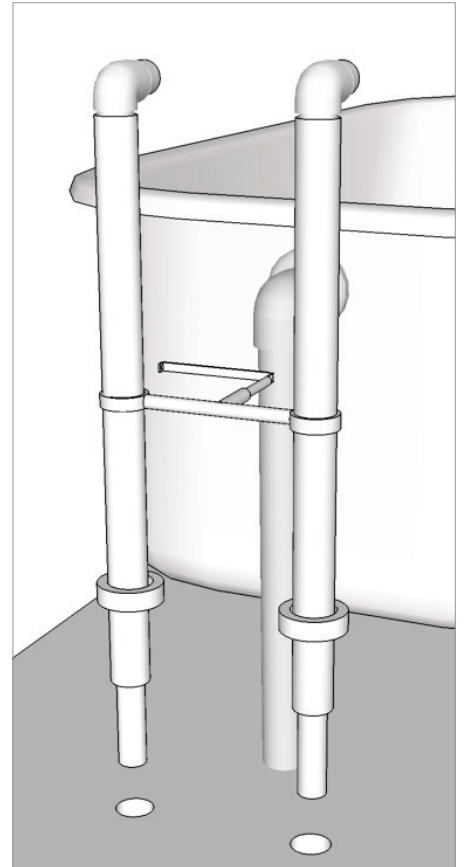
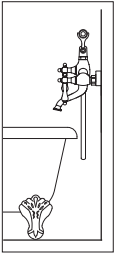


FIGURE 4 Bend Strap

FIGURE 5 Secure Strap

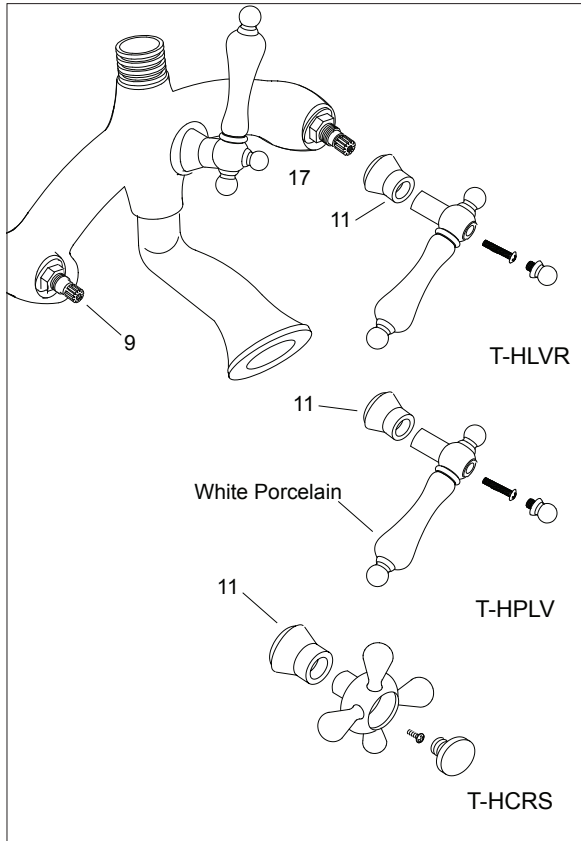
1. Assemble bracket as shown.
2. Slide support bracket onto risers before decorative escutcheons.
3. Bend metal strap around drain to create a clamp. Secure with screw provided. Recommended height is just below drain overflow.
4. Proceed with step 6 of faucet installation.



# TRADITIONAL WALL MOUNT TUB FAUCET

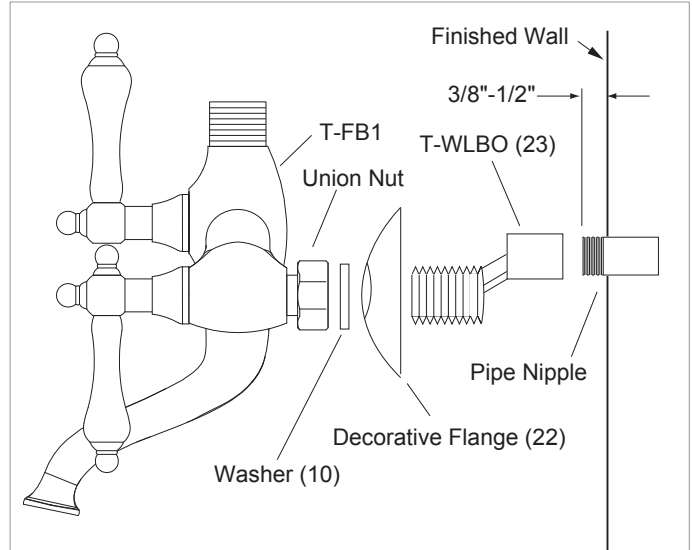
## Notes:

1. Please ensure all local plumbing and building codes are observed when installing these faucets.
2. Mounting location depends on tub design and location. Be sure to identify tub height when determining faucet location.
3. There must be a minimum of 2" gap between top of tub rim and bottom of the faucet spout to comply with plumbing codes. (see fig. 4)
4. Water supply lines must be roughed in on 8" centers.



### Step 1

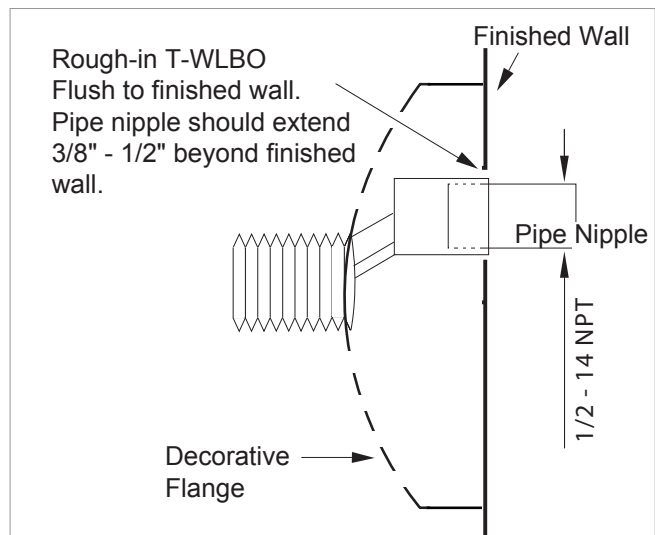
Screw #11 handle hub onto hot/cold cartridges #9 and #17. Disassemble handle and install onto cartridge by securing with screw included. Reassemble handle.



**Step 2** Rough-in #23 T-WLBO flush to finished wall. Hot/Cold supplies should be roughed in on 8" centers and 1/2" pipe (supplied by installer) should extend 3/8" to 1/2" beyond the finished wall.

**Step 3** Screw decorative flange #22 included with T-WLBO onto rough portion #23.

**Step 4** Attach faucet to wall by screwing union nuts onto the T-WLBO wall elbows with #10 washer.



# TRADITIONAL WALL MOUNT TUB FAUCET (cont.)

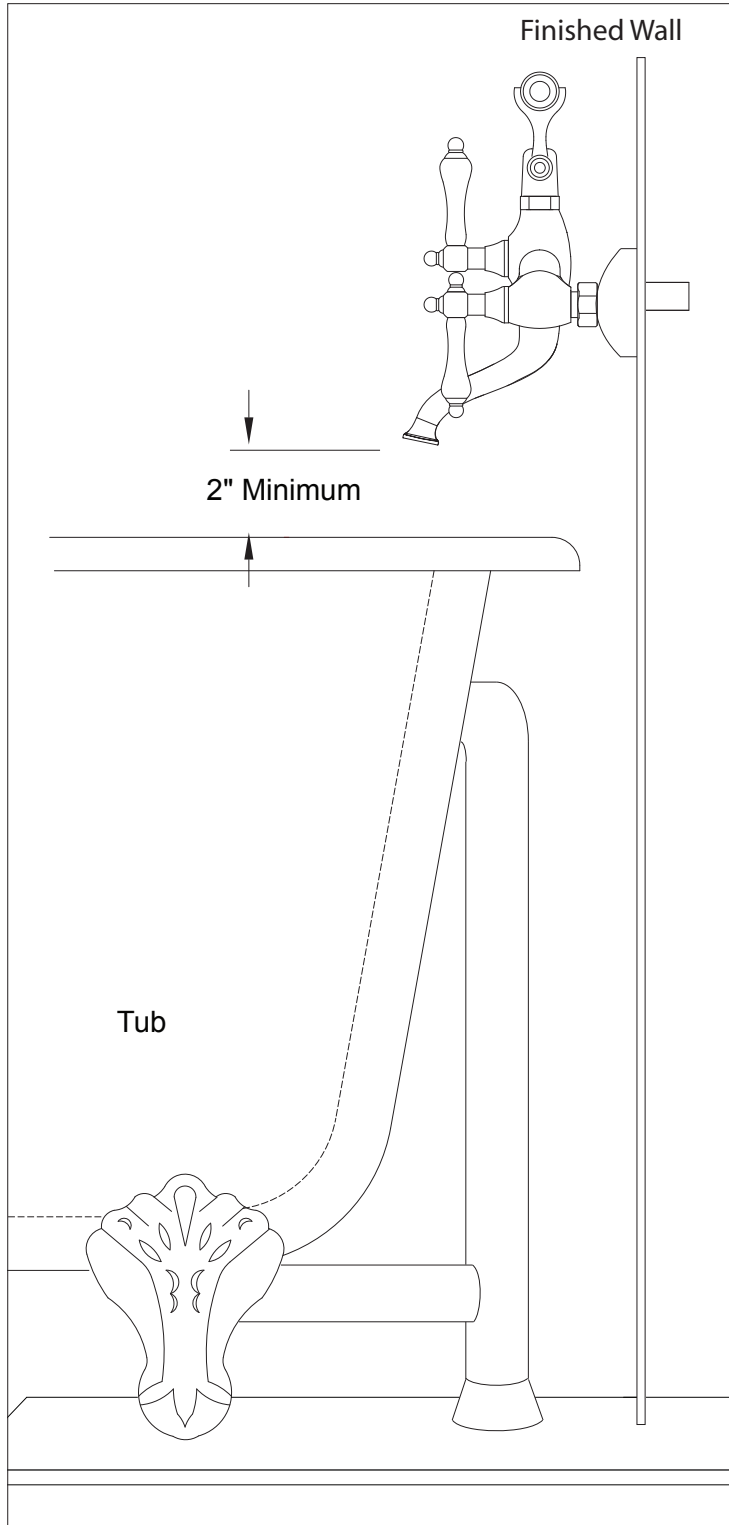
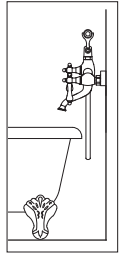
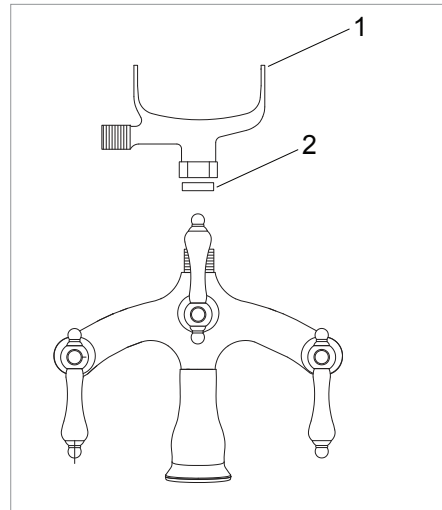
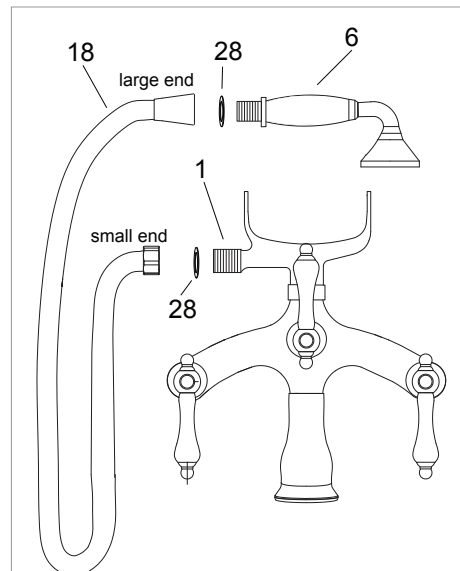


Figure 4



### Step 5

Attach #1 handshower holder with #2 rubber gasket to outlet above diverter handle.



### Step 6

Attach small end of #18 handshower hose with #28 washer to outlet on side of #1 handshower holder.

### Step 7

Attach large end of #18 handshower hose with #28 washer to #26 handshower and place in #1 holder.

### Step 8

Turn water and check all connections for leaks.

**Contact information**

**Giagni**

550 South Columbus Avenue

Mount Vernon, New York 10550

*Phone:* 888-560-5222

*Fax:* 888-560-8727