

G i a g n i

Owner's Manual & Installation Guide

Traditional Tubs

Contemporary Tubs

Note: Read all instructions before proceeding with installation. All specifications are subject to change without notice.

Traditional Tubs



Augusta - 54" Rolltop Tub



Brighton - 60" Rolltop Tub



Hawthorne - 60" Slipper Tub



Newton - 67" Slipper Tub



Portsmouth - 60" Dual Tub on Plinth



Portsmouth - 60" Dual Tub on Feet



Wescott - 72" Dual Tub on Plinth



Wescott - 72" Dual Tub on Feet

Contemporary Tubs



Capri - 67" Contemporary Oval Tub on Plinth



Ventura - 67" Contemporary Apron Tub



Tella - 67" Contemporary Rectangle Tub on Feet



Tella - 67" Contemporary Rectangle Tub on Wood Plinth



Tella - 67" Contemporary Rectangle Tub in Wood Cradle

Table of Contents:

Warranty.....	2
Before you begin / Safety instructions.....	3
Installation Overview	4
Installing Feet / Tub Base.....	5
Installing the Tub Drain	11
Installing the Faucet.....	12
Roughing-in & Specs	25
Cleaning & Maintenance	33
Contact information	34

NOTE: Due to the complexities of this installation a professional plumber is required.

Giagni

Warranty

Giagni warrants, to the initial consumer purchaser, the surfaces of the bathtub and acrylic plinths to be free of defects in material and workmanship during normal residential use for a period of 25 years from the date of purchase. This warranty does not cover normal wear and tear or damage to the surface caused by the use of chemicals that break the structural bonds in the acrylic material (see cleaning & maintenance page). Damage caused by accident, misuse, or abuse is not covered by this warranty.

If any defects develop under the warranty from the date of purchase, we will, at our discretion, consider repairing or replacing the defective part(s). Improper use or installation will immediately void the warranty. No other liability or obligation is to be assumed. Proof of purchase (original sales receipt) must be provided to Giagni with all warranty claims. Giagni will not be responsible for labor charges and installation or any other consequential costs. In no event shall the responsibility of Giagni exceed the purchase price of the product.

Faucets

Giagni faucets come with a limited lifetime warranty. The warranty applies to defects in workmanship and finish. The above warranty does not apply to damages resulting from shipping, misuse, tampering, abuse or ordinary wear and tear. Warranty for finish is void if proper care is not demonstrated.

Drains, Feet, Plinths, & Cradles

Giagni drains, feet, plinths, cradles, and components are guaranteed to be free from defects in material, workmanship, and finish at the time of shipment. Should any defects develop within 5 years from the date of purchase, we will, at our discretion, consider repairing or replacing the defective part(s).

This warranty gives you specific legal rights, and you may also have other rights which vary from state to state. Some states do not allow the exclusions of limitations of incidental or consequential damages, so the above limitations or exclusions may not apply to you. For warranty claims or questions, contact Giagni at 888-560-5222.

In event of a defect

In the event of a defect covered by the limited warranties contained herein, you must notify your authorized Giagni representative within 30 days after the date of the occurrence of the defect, and such representative will repair or otherwise correct the defect within a reasonable time in accordance with and after subject to the terms and conditions set forth herein. Giagni shall not be liable for (a) the cost of shipping or otherwise transporting parts and materials necessary to correct any defect and (b) any direct, indirect, incidental or consequential damages, (c) all tubs are thoroughly inspected for defects prior to shipment and a follow up inspection is required after receiving the tub. Thus, the Giagni warranty will not cover the cost associated with the removal and reinstallation of a defective bathtub.

Non-Transferrable

The limited warranties contained herein are not transferable or enforceable by any party other than the original purchaser (user).

Transportation & Delivery

The limited warranties contained herein shall not apply to damage or any problem caused by improper handling of the tub to the purchaser or any subsequent movement of the tub by the purchaser. Purchaser is responsible for all warranty related freight charges.

Property Damage

The limited warranties contained herein shall not cover property damage due to water. The responsibility of water damage is solely that of the installer or owner as we recommend a pre-install water test in our installation section.

Disclaimer

Authorized Giagni representatives are not agents of Giagni, and no agent, dealer, or representative, salesperson or other person is authorized to change, modify, expand or extend the limited warranties contained herein, or to bind Giagni or any of its authorized representatives to be held for injury or damage to any person or property for any claim, regardless of manner in which claims arise.

All measurements are approximations and should be used for reference only. Giagni reserves the right to make specification changes without notice or obligation, and to change or discontinue models and finishes. All rights reserved. ©Giagni 2008

Before you begin:

- Observe all local plumbing/building codes and ensure flooring support is adequate. Installation of backflow prevention must comply with local codes and regulations. In certain states models with handshower must be installed with a listed inline anti-scald device.
- Before you begin work, carefully uncrate and inspect the tub for any damage. If there is a problem, do not install the tub. Immediately report the problem to the dealer.
- Ensure the floor will support 1200 lbs. (This is the approximate weight of the tub filled with water and bather.)
- Carefully plan the moving of the bath into the installation area. These bathtubs may not easily fit through doorways.
- Before installation, ensure proper access to the final plumbing connections.

Safety instructions:

To reduce the risk of injury:

- Do not permit children to use this unit unless they are closely supervised by an adult at all times. Supervision is also required when the bath is used by an elderly or handicapped individual.
- Use this unit only for its intended use as described in this manual. Do not use attachments not recommended by the manufacturer.
- Since excessive water temperatures have a high potential for causing fetal damage during the early months of pregnancy, pregnant or possibly pregnant women should limit bath water temperatures to 38° C (100° F).
- The use of drugs or alcoholic beverages before or during bath use may lead to unconsciousness with the possibility of drowning.
- Persons with a medical history of heart disease, low or high blood pressure, circulatory system problems, or diabetes should consult a physician before using the bath.
- Persons using medication should consult a physician before using the bath since medication may induce drowsiness while other medication may affect heart rate, blood pressure and circulation.

DANGER: To reduce the risk of injury, enter and exit the bath slowly.

WARNING: Never operate electrical devices in or near the bath. Never drop or insert any object into any opening within the bath.

To avoid the possibility of personal injury and discoloration of the acrylic surface, the inlet water temperature should not exceed 60° C (140° F) and the bath should be drained after each use.

SUMMARY OF INSTALLATION PROCESS:

Step 1 - PREPARE THE SITE

NOTICE: Shut off hot and cold water. Make sure the floor will support 1200 lbs.

Position the plumbing according to the roughing-in information. Cap the supplies and check for leaks. Make sure the drain location corresponds to the bath outlet.

Step 2 - PREPARE THE TUB

CAUTION: Risk of personal injury. Obtain sufficient help to carefully lift or move the tub.

Level the bath as needed with adjusters on appropriate feet.

The bath must be resting evenly. Verify the bath is level across the top and along the drain side.

Step 3 - INSTALL THE FEET/TUB BASE (see page 5)

Step 4 - INSTALL THE DRAIN (see page 11)

Step 5 - INSTALL THE FAUCET (see page 12)

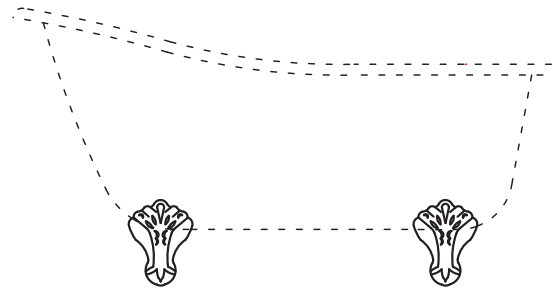
ROUGHING-IN and SPECS (see page 25)

NOTE: Make sure a watertight seal exists on all bath drain connections.

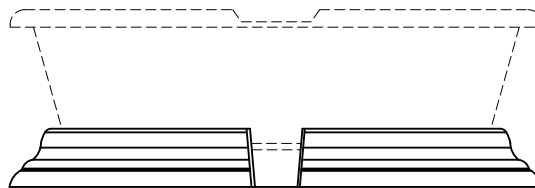
Provide access to all plumbing connections to simplify future maintenance.

STEP 3 INSTALLING THE FEET/TUB BASE

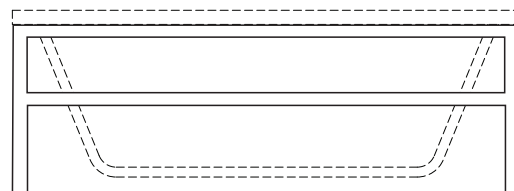
Your tub will mount in one of these ways:



with feet - see page 6-7

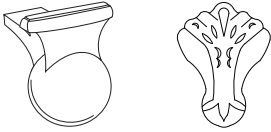


with plinth - see page 8-9



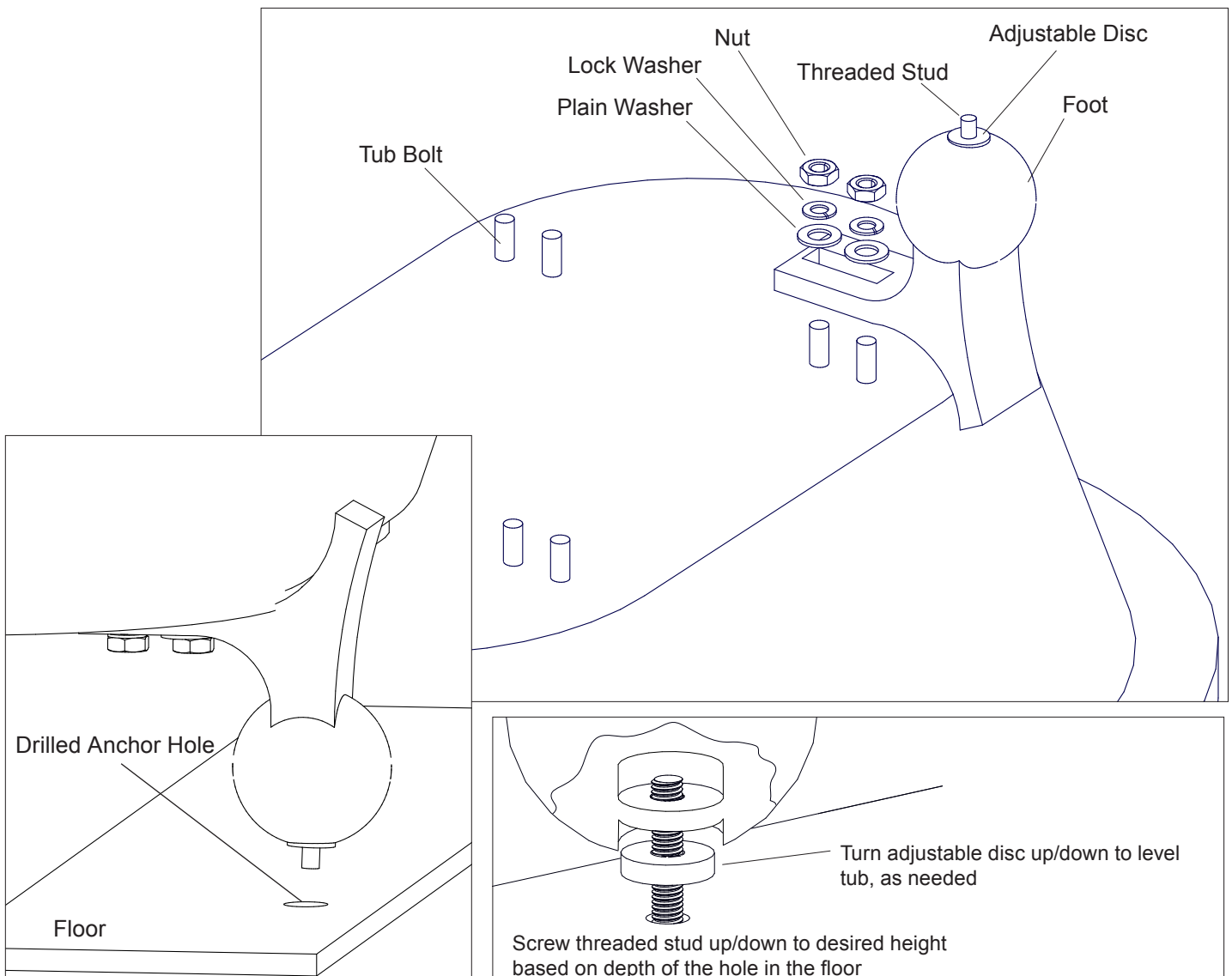
with cradle - see page 10

INSTALLING CANNONBALL AND BALL & CLAW FEET

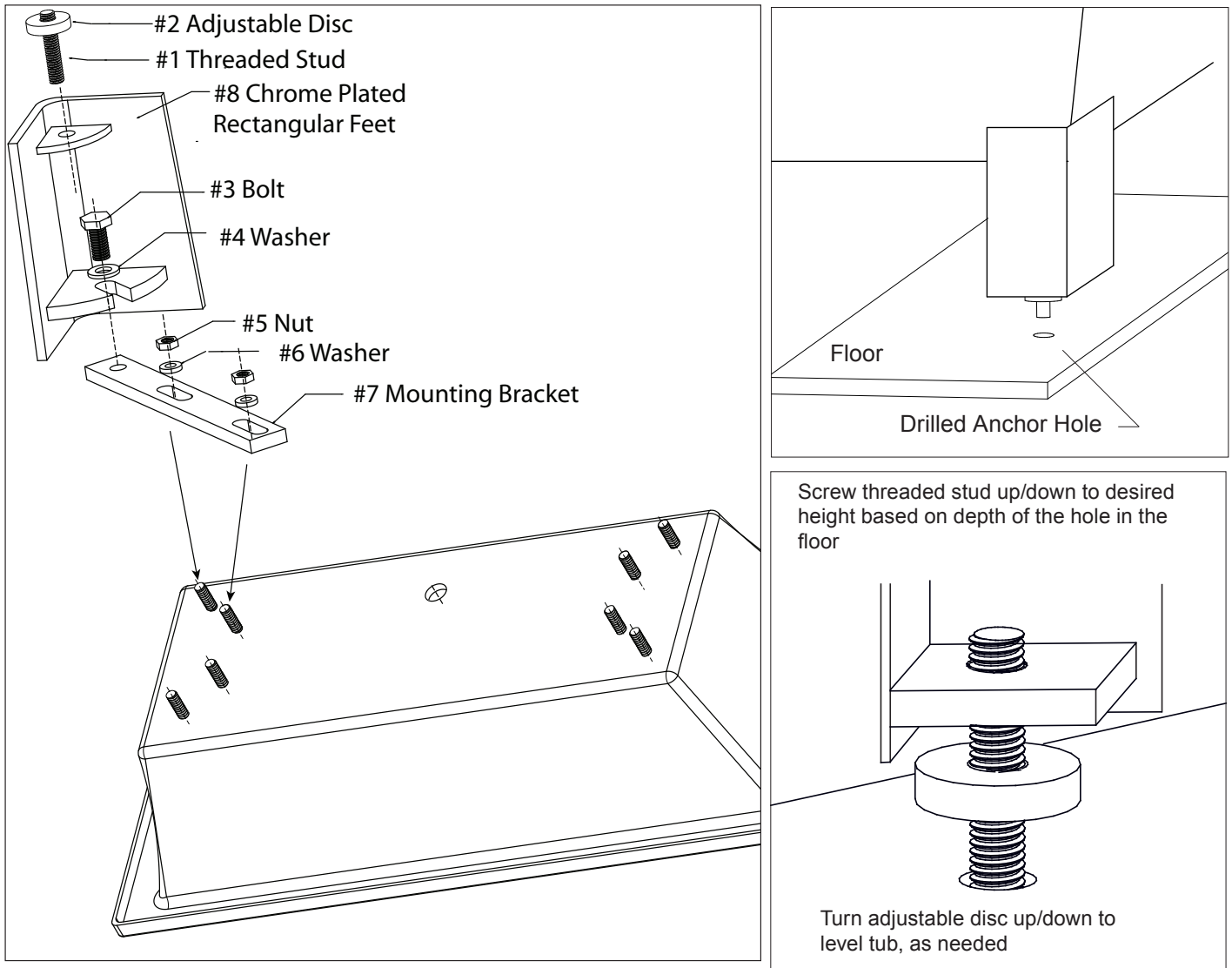
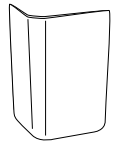


1. Ensure tub surface is protected during assembly, installation and the final phase of construction.
2. Place tub on floor, upside down, and attach feet to tub with fasteners provided.
Do not overtighten.
3. Turn tub right side up, place in desired position and mark foot anchoring locations.
4. Carefully move tub and drill (4) 7/16" diameter holes in the floor to accommodate the foot anchors.
5. Place tub back in position, dropping the threaded studs into the holes in the floor.
This will secure the tub and prevent it from sliding on the floor. If needed, adjust the height of the disc on the threaded stud to level the bathtub.

NOTE: We strongly recommend that you secure the tub to avoid any tub movement and possible damage to water supply lines. However, if you choose to not secure the tub, the adjustable disc can be moved to the end of the threaded stud to create a flat surface for the tub to sit on. The threaded stud can then be screwed up/down to level the tub as needed



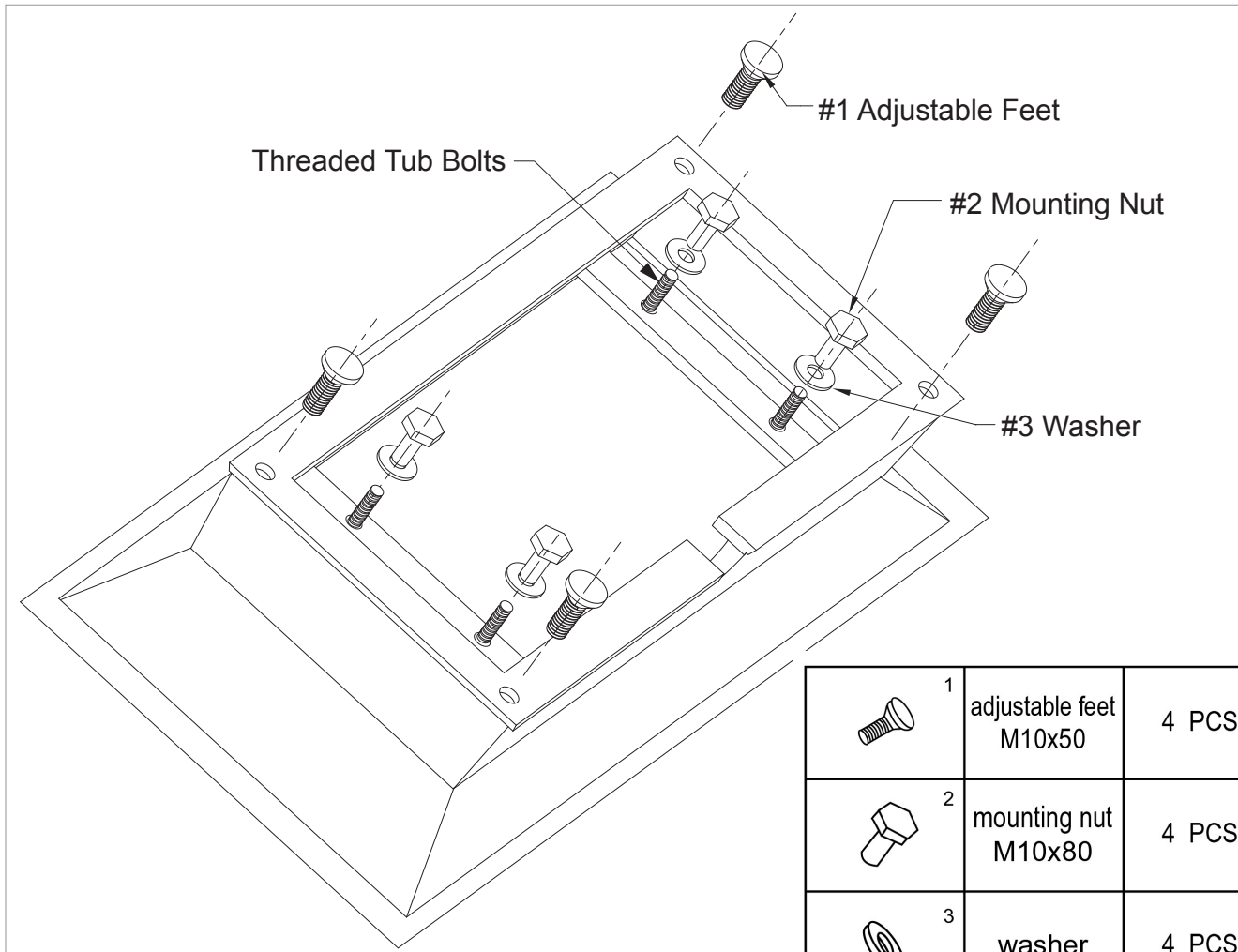
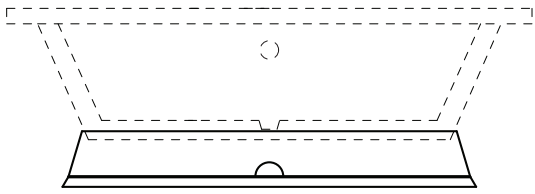
INSTALLING RECTANGULAR FEET






1. Ensure tub surface is protected during assembly, installation and the final phase of construction.
2. Attach the mounting brackets (#7) to the base of the bathtub with the round hole facing outward and secure with the nuts (#5) and washers (#6) supplied. Do not over tighten.
3. Align the chrome plated rectangular feet (#8) with the round location holes in the mounting brackets and secure with the bolts (#3) and washers (#4).
3. Turn tub right side up, place in desired position and mark foot anchoring locations.
4. Carefully move tub and drill (4) 7/16" diameter holes in the floor to accommodate the foot anchors.
5. Place tub back in position, dropping the threaded studs into the holes in the floor. This will secure the the tub and prevent it from sliding on the floor. If needed, adjust the height of the disc on the threaded stud to level the bathtub.

NOTE: We strongly recommend that you secure the tub to avoid any tub movement and possible damage to water supply lines. However, if you choose to not secure the tub, the adjustable disc can be moved to the end of the threaded stud to create a flat surface for the tub to sit on. The threaded stud can then be screwed up/down to level the tub as needed

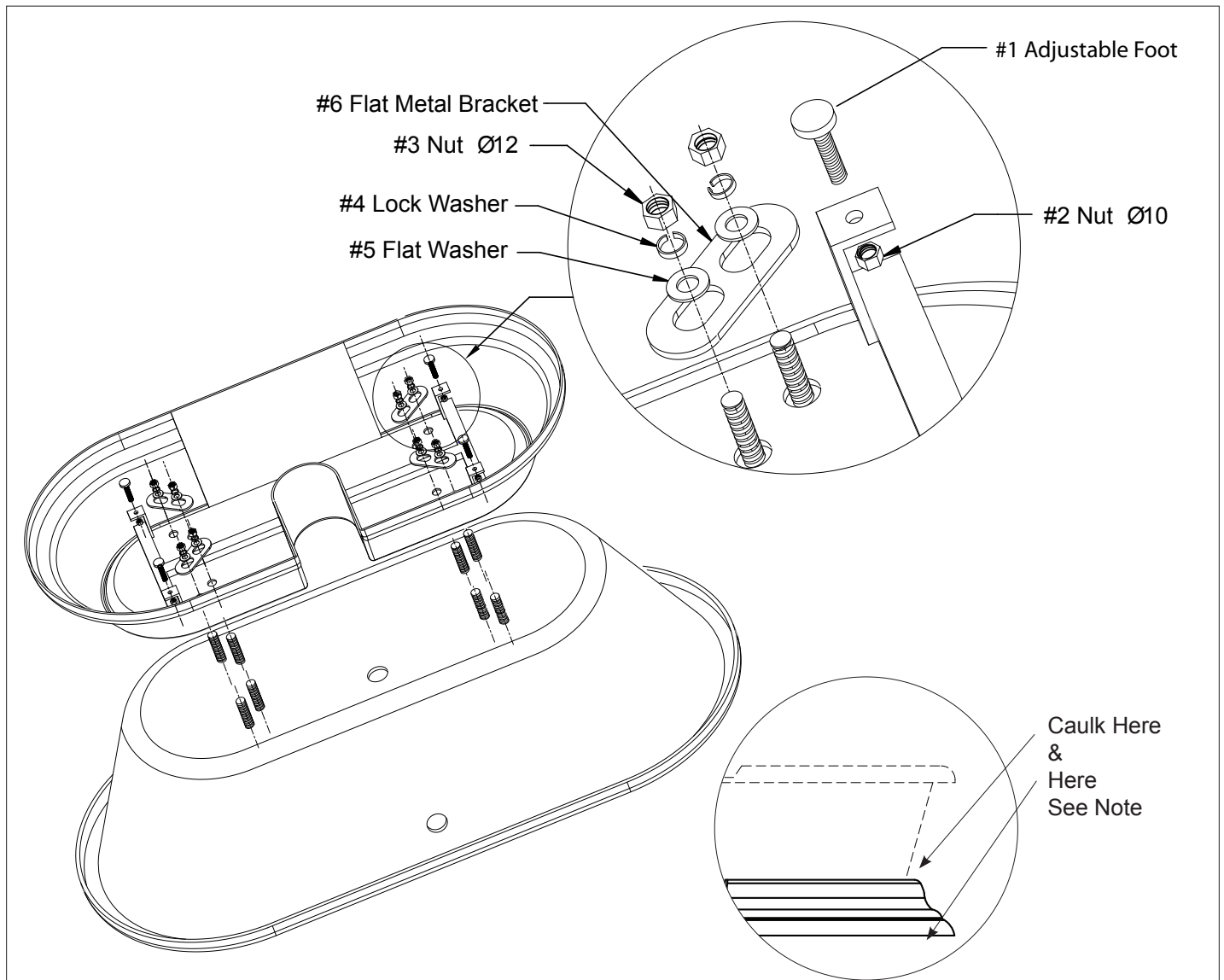
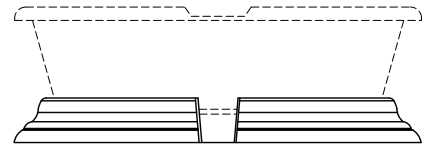
INSTALLING WOOD PLINTH



	1 adjustable feet M10x50	4 PCS
	2 mounting nut M10x80	4 PCS
	3 washer	4 PCS

1. Ensure tub surface is protected during assembly, installation and the final phase of construction.
2. Place tub on floor, upside down, and place the wooden plinth on tub by aligning holes with tub bolts.
3. Secure the plinth by attaching #3 washers and #2 mounting nuts to the threaded tub bolts. Do not overtighten.
4. Turn the tub and plinth back over and set in desired location.
5. Use the adjustable feet (#1) to level the tub.

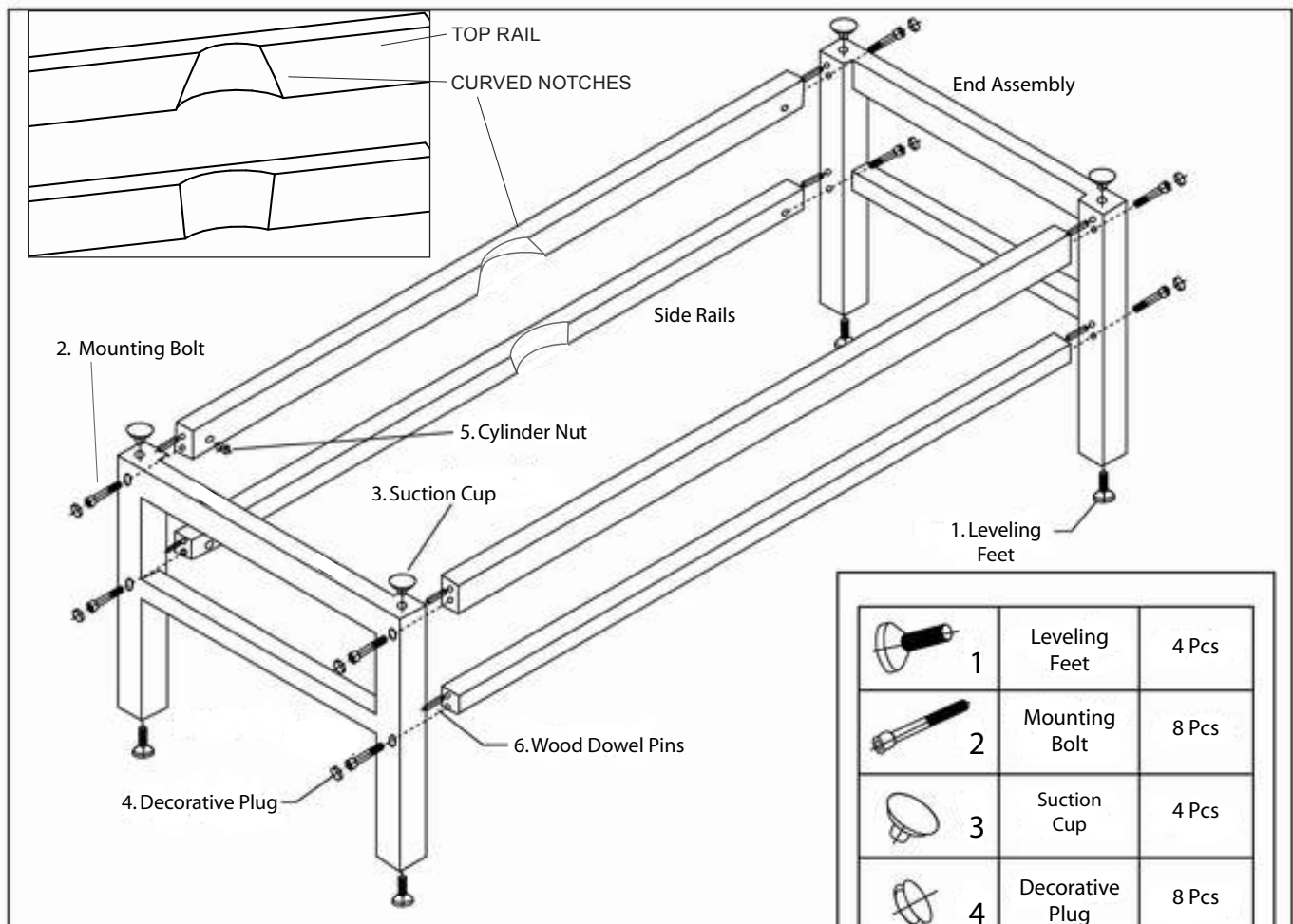
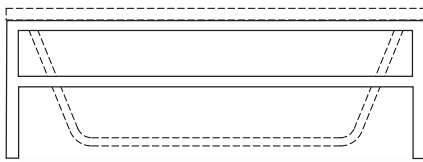
INSTALLING ACRYLIC PLINTH









1. Ensure tub surface is protected during assembly, installation and the final phase of construction.
2. Place tub on floor, upside down, and place the acrylic plinth on tub by aligning holes with tub bolts.
3. Secure the plinth by attaching washers (#4 & #5) and mounting nuts (#3) to the threaded tub bolts in the order shown. Do not overtighten.
4. Turn the tub and plinth back over and set in desired location.
5. Use the adjustable feet (#1) to level the tub.

NOTE: Silicone caulk should be applied where the tub meets the plinth and also where the plinth meets the floor.

INSTALLING CRADLE



	1	Leveling Foot	4 Pcs
	2	Mounting Bolt	8 Pcs
	3	Suction Cup	4 Pcs
	4	Decorative Plug	8 Pcs
	5	Cylinder Nut	8 Pcs
	6	Wood Dowel Pins	8 Pcs

- Loosely connect the End Assemblies with the Side Rails using the Wooden Dowel Pins (#6) in the top holes. The two Side Rails with the curved notches to accommodate the tub drain need to be on the same side. Place the more extremely tapered Rail on top as shown in detail.
- Insert the Cylinder Nuts (#5) all the way into the inside holes on the Side Rails with the slot facing out, and the slot parallel to the Side Rail.
- Insert the Mounting Bolts (#2) into the through holes in the End Assemblies and screw them partially into the Cylinder Nuts (#5). Use a screwdriver to re-align the Cylinder Nut slot to be parallel to the Side Rail if necessary.
- After all the bolts are installed, tighten them firmly with the supplied Allen wrench.
- Insert Decorative Plugs (#4) into bolt heads.
- Position tub inside cradle.
- Position Tub and Cradle in room and level using #1 Leveling Feet.

STEP 4 INSTALLING THE DRAIN

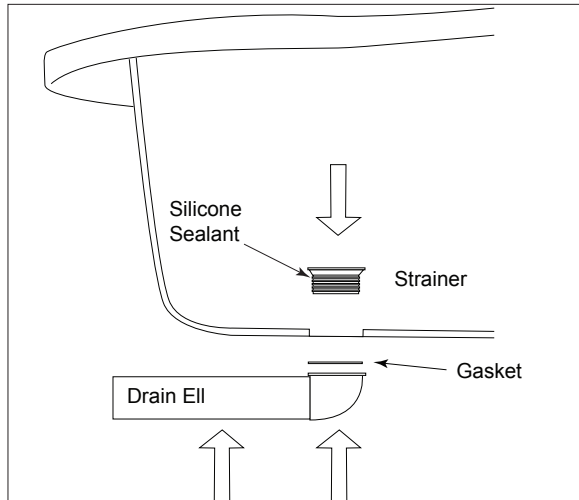
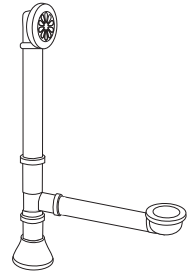


FIGURE 1 Connect strainer to drain ell

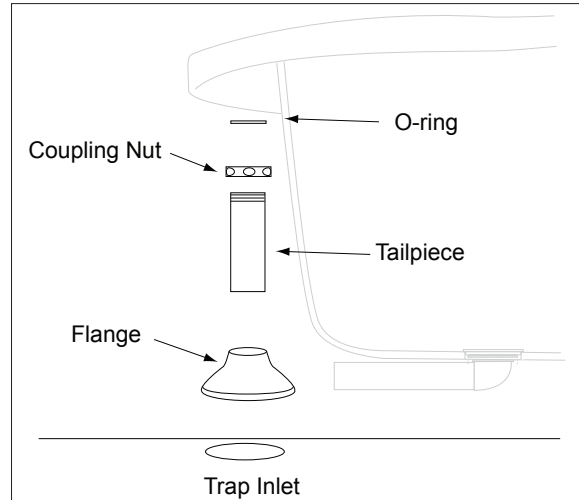


FIGURE 2 Connect tailpiece to trap inlet

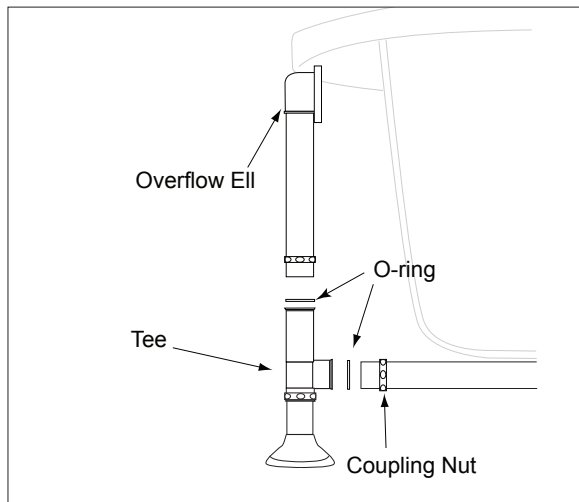


FIGURE 3 Assemble tee section

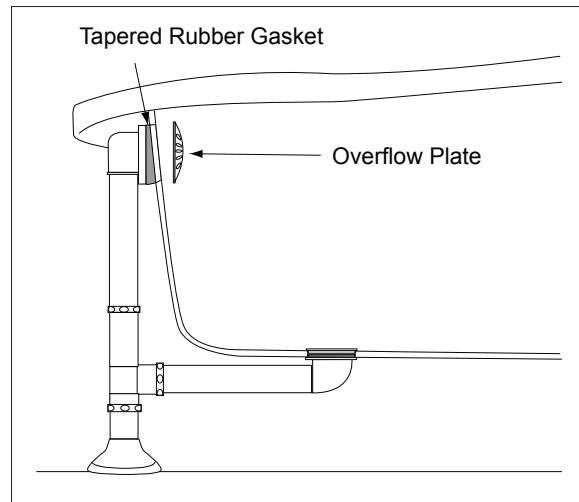


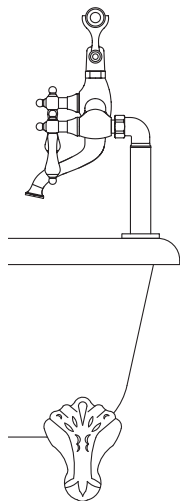
FIGURE 4 Secure drain to tub with overflow plate

1. Connect Drain Strainer & Drain Ell. Use silicone sealant. **DO NOT** use plumbers putty to seal.
2. Insert tailpiece into trap inlet. The tailpiece may need to be cut for proper fit. 1"- 2" of the tail piece should fit inside the trap. Slip the flange over the tailpiece and slide down to floor.
3. Assemble tee section to Tailpiece, overflow ell and drain ell using coupling nuts and O-rings that are provided.
4. Attach the tapered rubber gasket to the overflow ell. Align the overflow ell with the overflow hole and secure drain to the tub with overflow plate and screw provided.
5. Make sure a watertight seal exists on all bath drain connections.

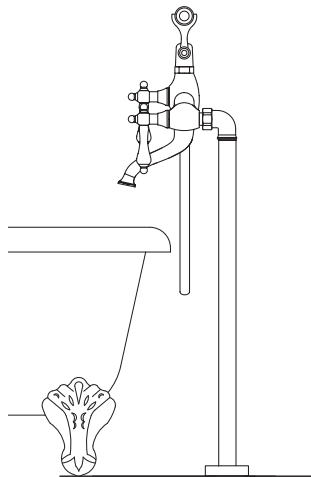
STEP 5 INSTALLING THE FAUCET

There are two styles and three faucet mounting methods.
Please refer to the appropriate page for your application.

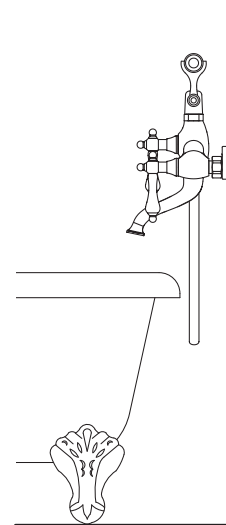
TRADITIONAL STYLE



DECK MOUNT
see page 13

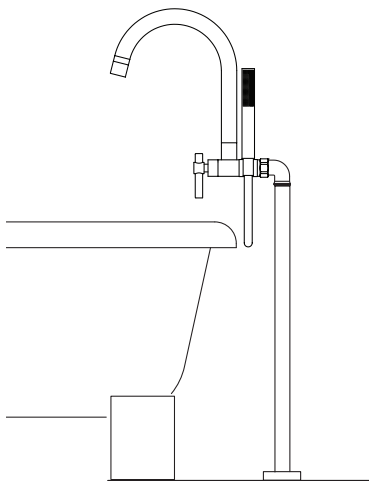


FLOOR MOUNT
see page 16

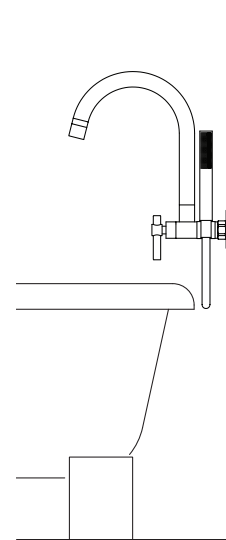


WALL MOUNT
see page 21

CONTEMPORARY STYLE

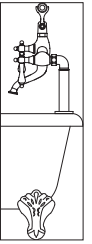


FLOOR MOUNT
see page 18



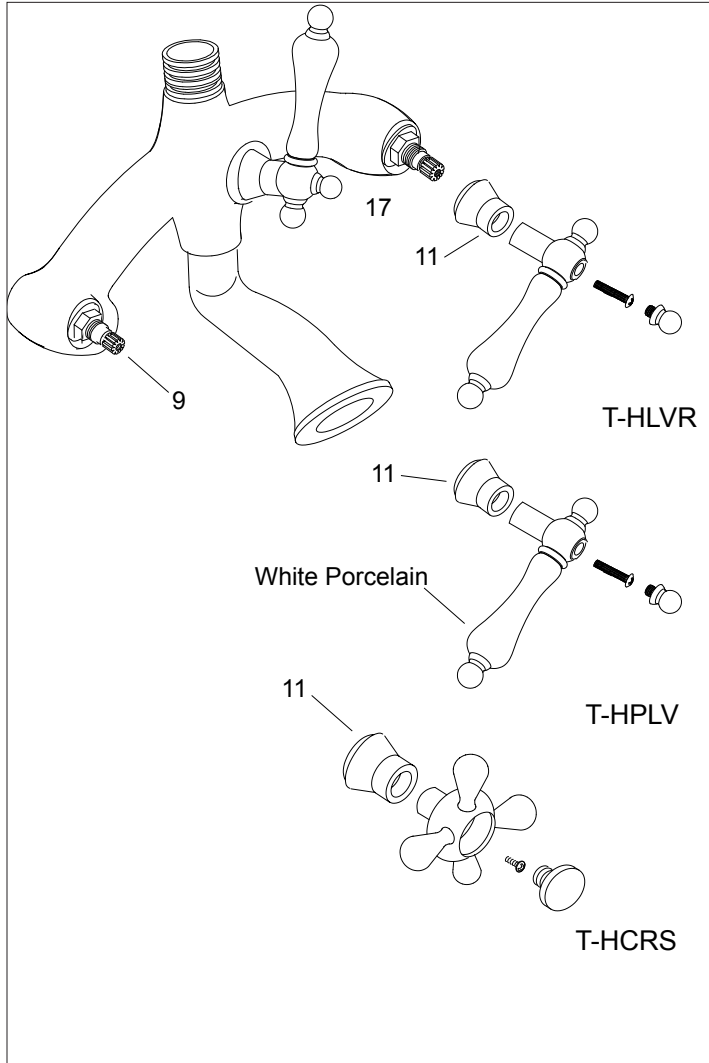
WALL MOUNT
see page 23

TRADITIONAL DECK MOUNT TUB FAUCET



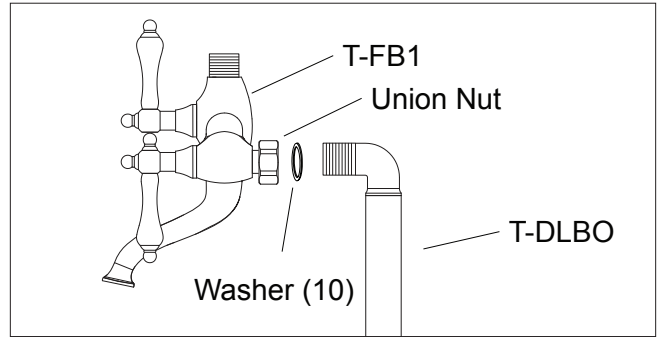
Notes:

1. Please ensure all local plumbing and building codes are observed when installing these faucets.
2. Water supply lines must be roughed in on 8" centers.



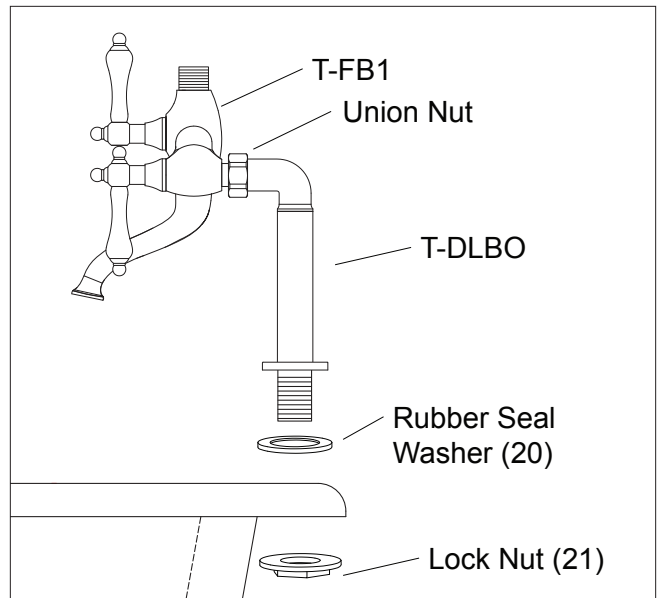
Step 1

Screw #11 handle hub onto hot/cold cartridges #9 and #17. Disassemble handle and install onto cartridge by securing with screw included. Reassemble handle.



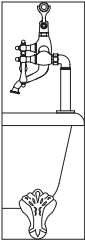
Step 2

Attach T-DLBO deck elbows to union nuts on back of faucet body using one #10 rubber gasket on each elbow.

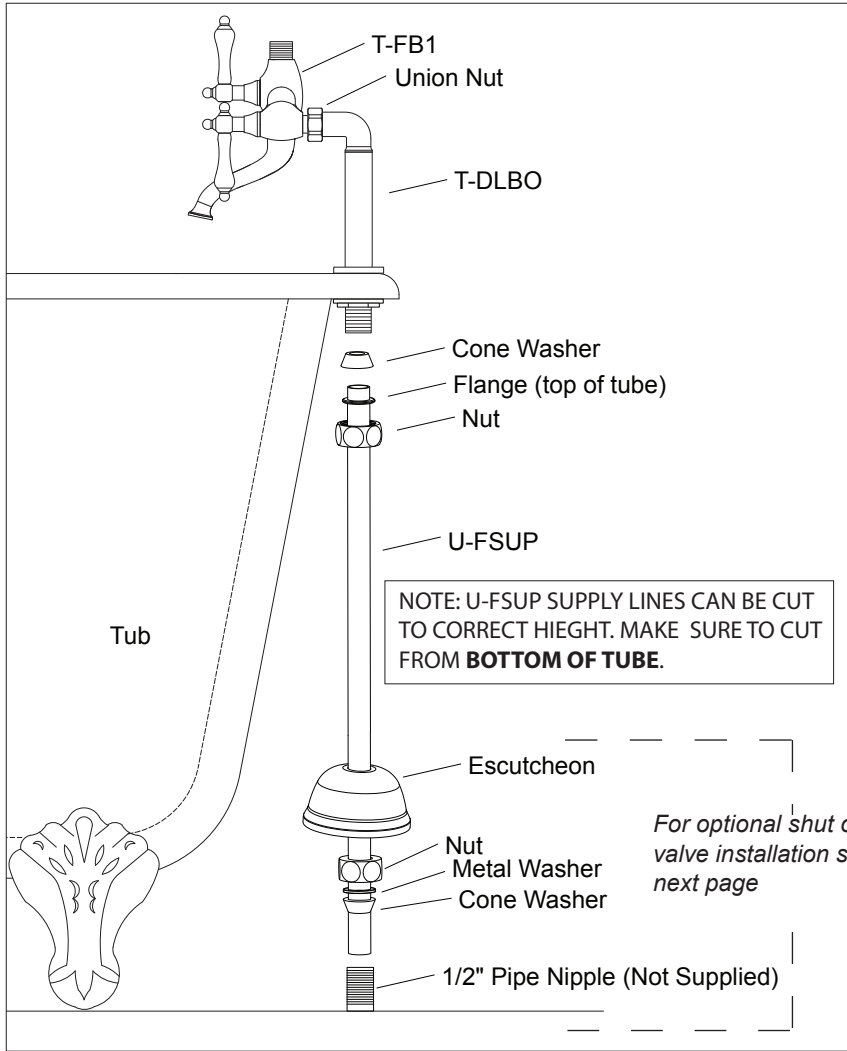


Step 3

Insert faucet through holes in tub rim with #20 seal washer above the deck and secure with #21 locknut. NOTE: If your tub does not have faucet holes use a 1" hole saw and drill holes in deck centered across the overflow hole on 8" centers.

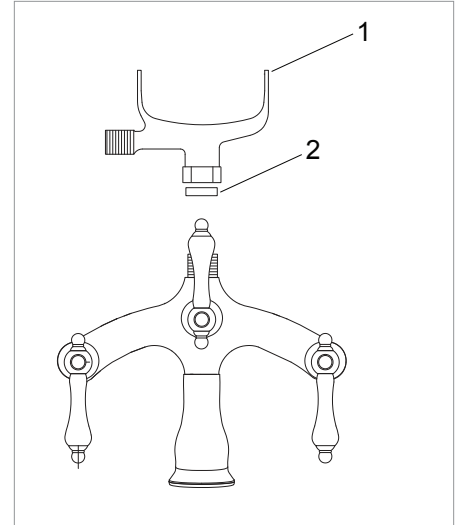


TRADITIONAL DECK MOUNT TUB FAUCET (cont.)



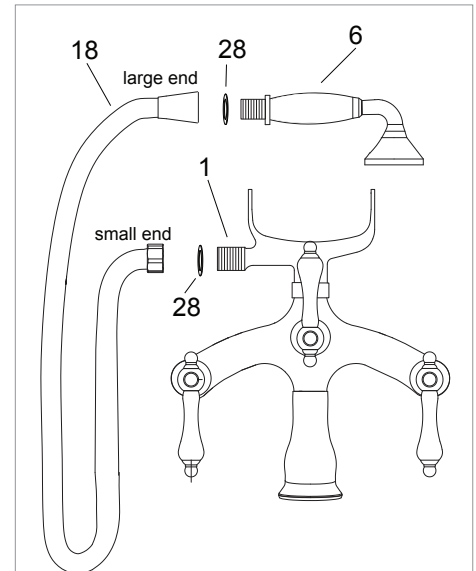
Step 4

Cut U-FSUP supply lines to correct height for application and attach to threaded shank of faucet. (NOTE: Supply lines must be cut from bottom of tube) Connect preferred 1/2" pipe, supplied by installer, into female threaded nut at bottom of supply line to make hot/cold water connections.



Step 5

Attach #1 handshower holder with #2 rubber gasket to outlet above diverter handle.



Step 6

Attach small end of #18 handshower hose with #28 washer to outlet on side of #1 handshower holder.

Step 7

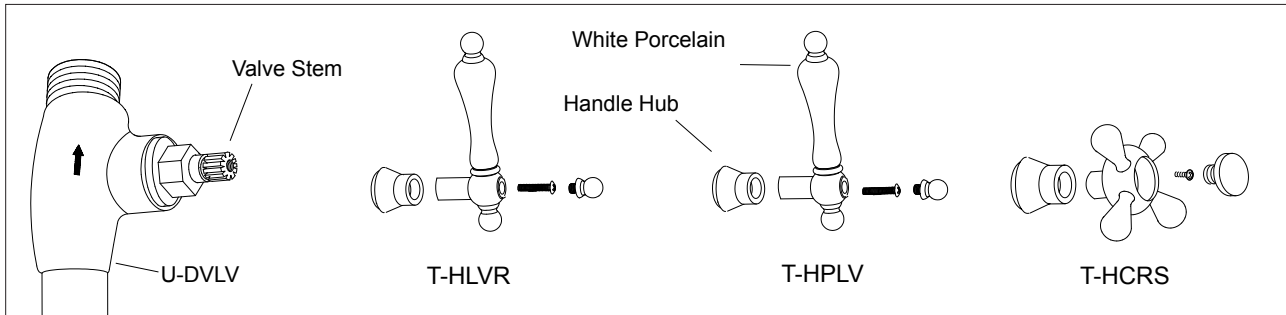
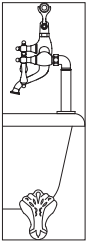
Attach large end of #18 handshower hose with #28 washer to #6 handshower and place in #1 holder.

Step 8

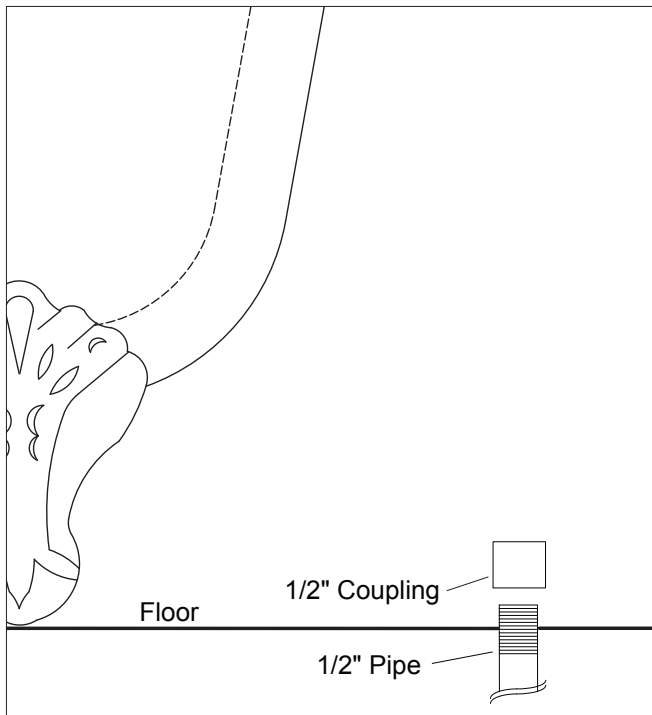
Turn on water and check all connections for leaks.



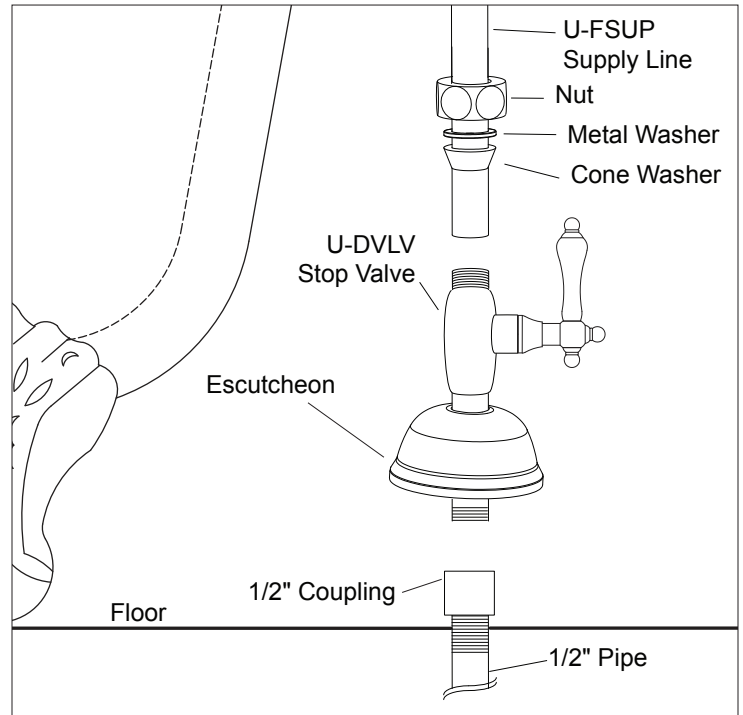
TRADITIONAL DECK MOUNT OPTIONAL SHUT OFF VALVE



Step 1 Screw handle hubs onto valve stems. Disassemble handle and install onto stem by securing with screw included. Reassemble handle. NOTE: Rotate valve stem counter-clockwise until it stops to open valve prior to installing handle. Handle must be installed pointing up.

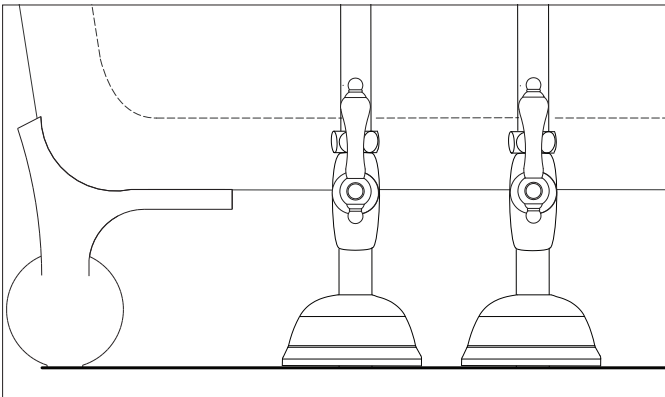


Step 2 Rough in water pipe so that it is exposed no more than 5/8" above finished floor and connect preferred 1/2" coupling (supplied by installer)

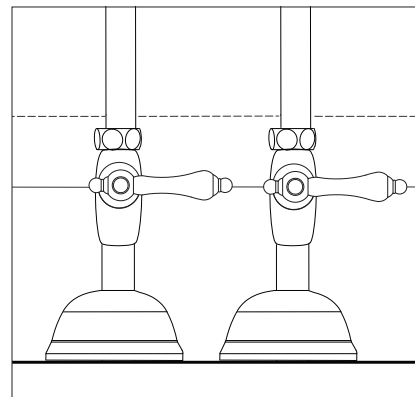


Step 3 Slide escutcheon onto bottom of U-DVLV stop valve. (Note: Slide slowly to avoid scratching finish) Connect stop valve to 1/2" coupling and slide escutcheon down to floor.

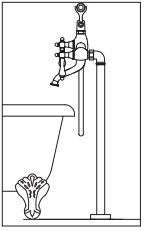
Step 4 Cut U-FSUP supply line to appropriate length and connect to stop valve with nut, metal washer and cone washer. Proceed with Step 5 on page 14 to complete faucet installation.



Valves In Open Position



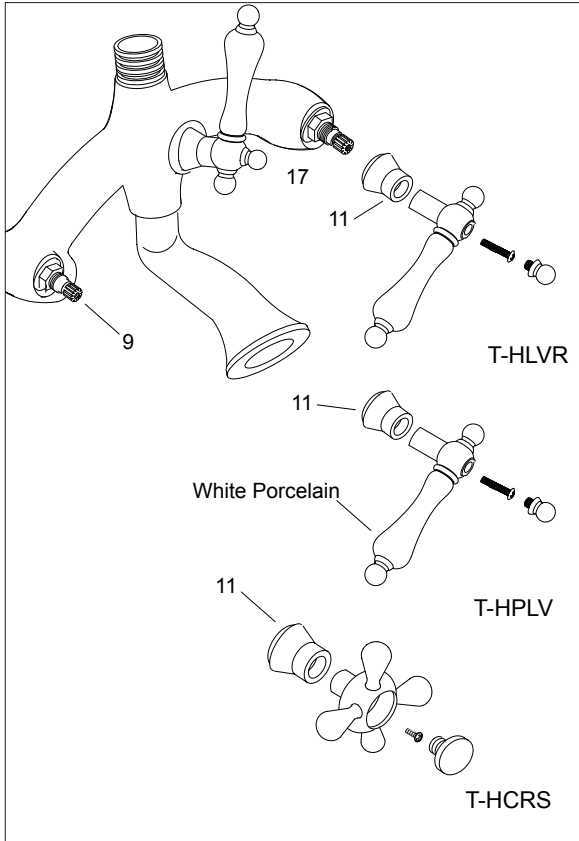
Valves In Closed Position



TRADITIONAL FLOOR MOUNT TUB FAUCET

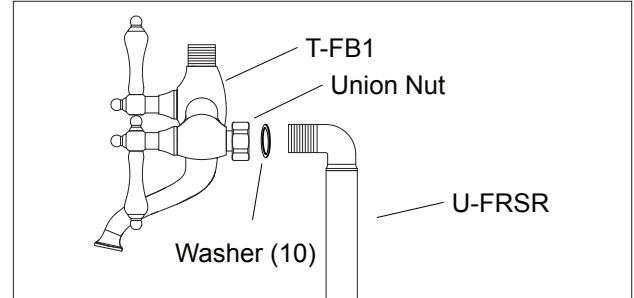
Notes:

1. Faucet is not for use on concrete floors.
2. Please ensure all local plumbing codes are observed during installation
3. Water supply lines must be roughed in on 8" centers.



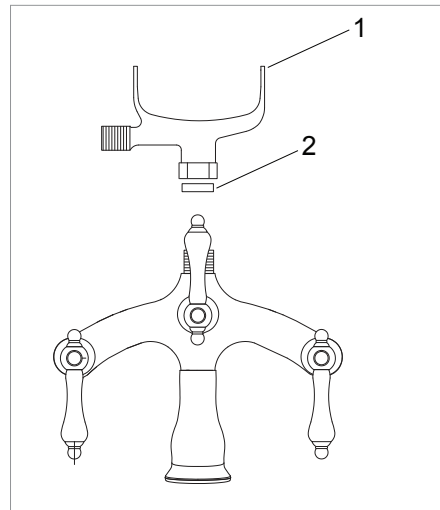
Step 1

Screw #11 handle hub onto hot/cold cartridges #9 and #17. Disassemble handle and install onto cartridge by securing with screw included. Reassemble handle.



Step 2

Attach hot and cold risers U-FRSR to union nuts on back of faucet body using one #10 rubber gasket on each riser.

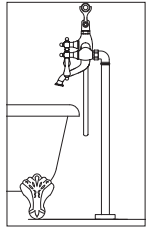


Step 3

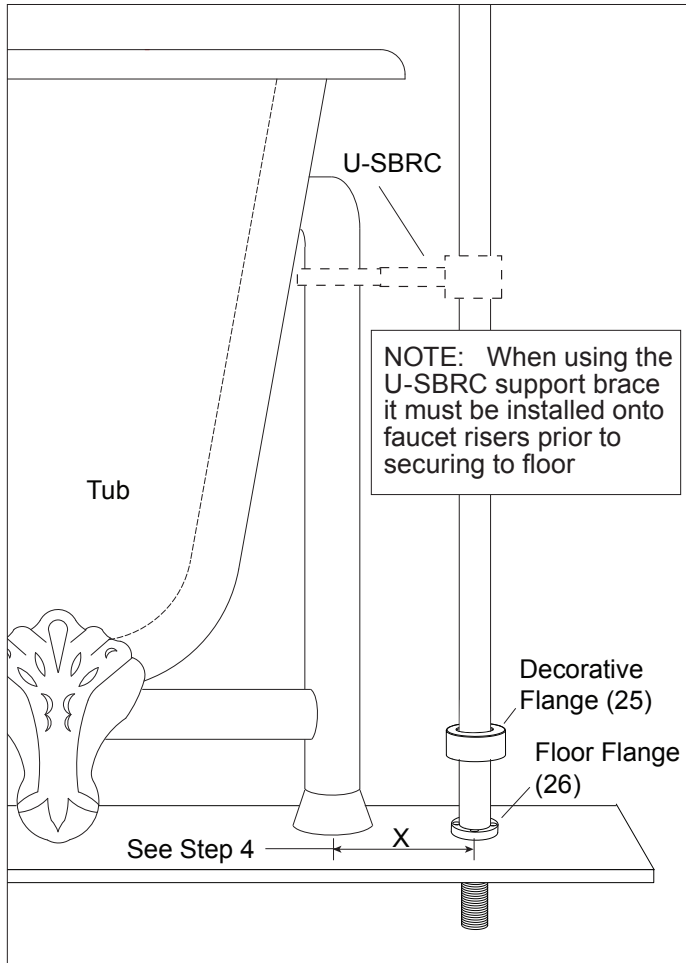
Attach #1 handshower holder with #2 rubber gasket to outlet above diverter handle.



TRADITIONAL FLOOR MOUNT TUB FAUCET (cont.)



Side View



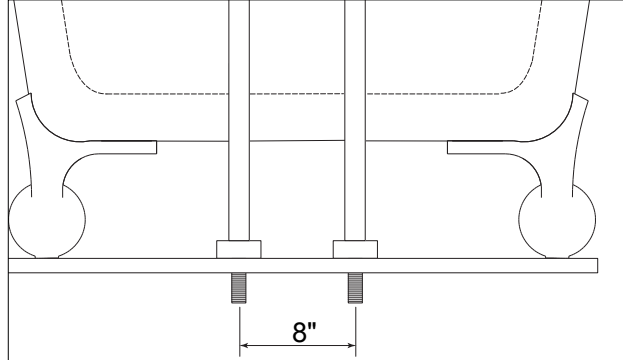
Dimension X

If using support bracket	3-3/4"
If NOT using support bracket	2-1/2" TO 3-1/2"

Step 4 Drill (2) 1-1/8" holes into floor on 8" centers for hot and cold water supplies. If using U-SBRC support brace, water supply holes must be drilled at 3-3/4" from drain outlet (center to center). If not using support brace, holes should be drilled at 2-1/2" minimum to 3-1/2" maximum from drain outlet (center to center).

Step 5 If desired, attach U-SBRC support bracket to risers. See page 20. (*Tub model LCAT-167 does not have an exposed drain so support brace will not be used*)

End View

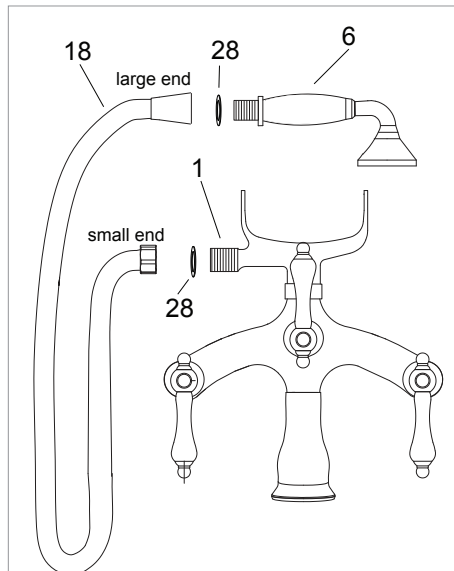


Step 6 Slide #25 decorative escutcheon onto bottom of risers U-FRSR and push part way up. Screw #26 floor flange onto threaded portion of each riser until it stops.

Step 7 Insert risers into hole in floor and secure floor flanges with appropriate screws/bolts for your flooring type. (Hardware not included)

Step 8 Slide decorative escutcheon down to cover floor flange.

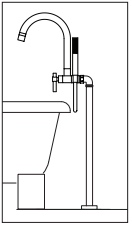
Step 9 Tighten optional support bracket to risers and drain



Step 10 Attach small end of #18 handshower hose with #28 washer to outlet on side of #1 handshower holder.

Step 11 Attach large end of #18 handshower hose with #28 washer to #6 handshower and place in #1 holder.

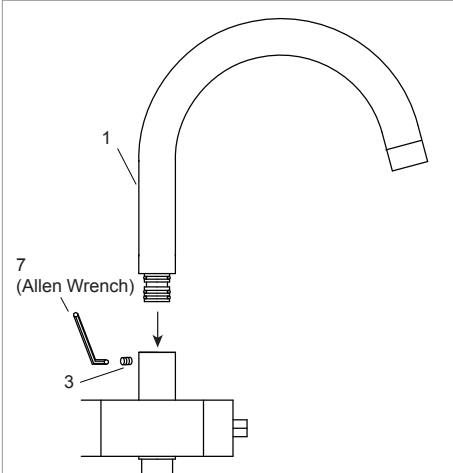
Step 12 Connect preferred 1/2" pipe (supplied by installer) into female threaded riser U-FRSR from under flooring. Make hot/cold water connections. Turn on water and check all connections for leaks.



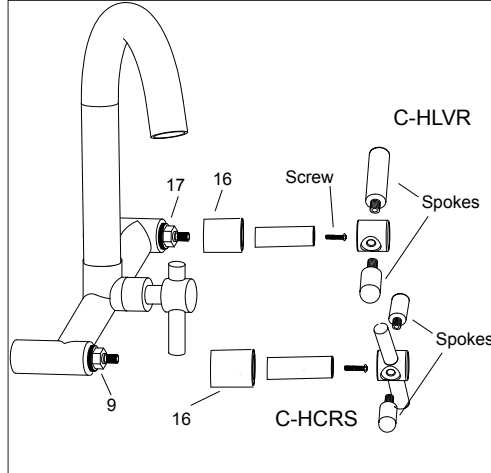
CONTEMPORARY FLOOR MOUNT TUB FAUCET

Notes:

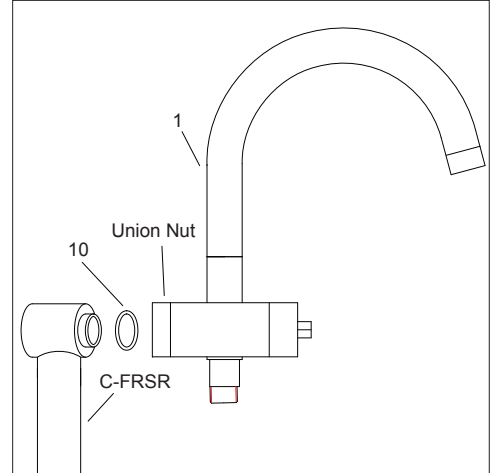
1. Faucet is not for use on concrete floors.
2. Please ensure all local plumbing codes are observed during installation
3. Water supply lines must be roughed in on 8" centers.



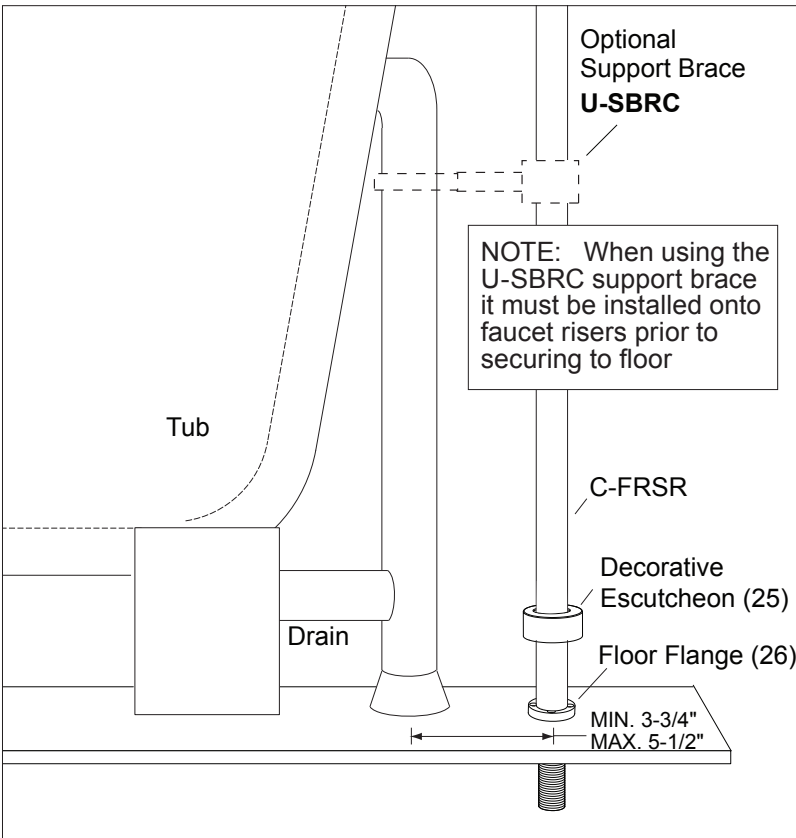
Step 1- Install #1 spout into faucet body by pushing straight down. Align spout facing forward then tighten with #3 allen screw (packaged separately with #7 allen wrench). Do Not Over Tighten.



Step 2- Screw #16 handle hub onto hot/cold cartridges #9 & #17. Disassemble handle by unscrewing spokes and install onto cartridge by securing with screw included. Reassemble handle.



Step 3- Attach hot and cold risers C-FRSR to union nuts on back of faucet body using one #10 rubber gasket on each riser.



Step 4- Drill (2) 1-1/8" holes into floor on 8" centers for hot and cold water supplies (see fig. 5 next page). Supply holes should be drilled at 3 3/4" minimum to 5 1/2" maximum from drain outlet (center to center).

Step 5- If desired, attach U-SBRC support bracket to risers. See page 20. (*Tub model LCAT-167 does not have an exposed drain so support brace will not be used*)

Step 6- Slide #25 decorative escutcheon onto bottom of risers C-FRSR and push part way up. Screw #26 floor flange onto threaded portion of each riser until it stops.

Step 7- Insert risers into hole in floor and secure floor flanges with appropriate screws/ bolts for your flooring type. (Hardware not included)

CONTEMPORARY FLOOR MOUNT TUB FAUCET (cont.)

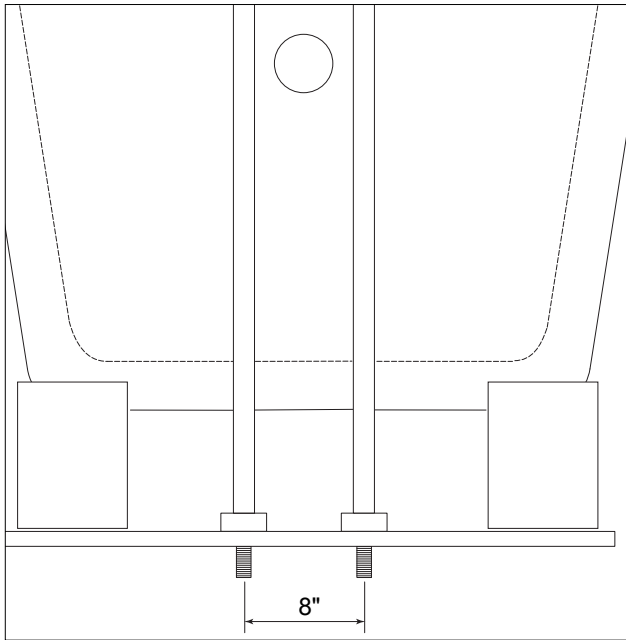
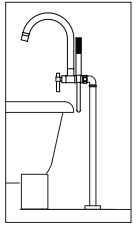
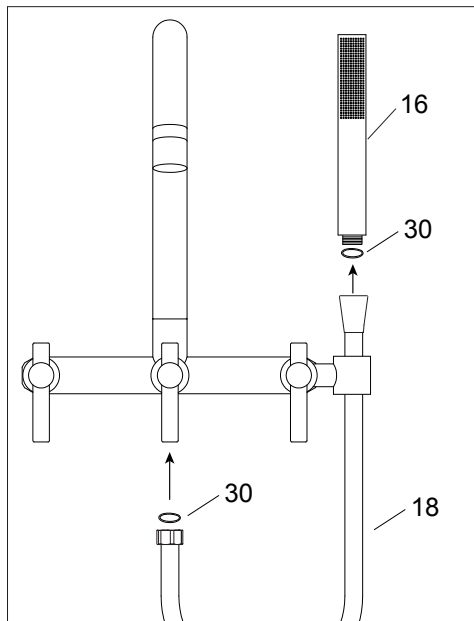


FIGURE 5 Supply line spacing

Step 8- Slide #25 decorative escutcheon down to cover floor flange.

Step 9- Tighten optional support bracket to risers and drain



Step 10- Attach small end of #18 handshower hose with #30 washer to outlet below diverter faucet handle.

Step 11- Attach large end of #18 hand shower hose to #16 handshower with #30 washer and place in holder.

Step 12- Connect preferred 1/2" pipe (supplied by installer) into female threaded riser C-FRSR from under flooring. Make hot/cold water connections. Turn on water and check all connections for leaks.

SUPPORT BRACKET INSTALLATION (for floormount faucets)

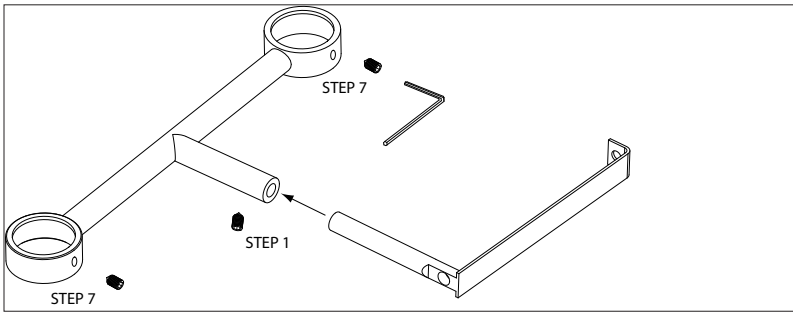


FIGURE 1 Bracket Assembly

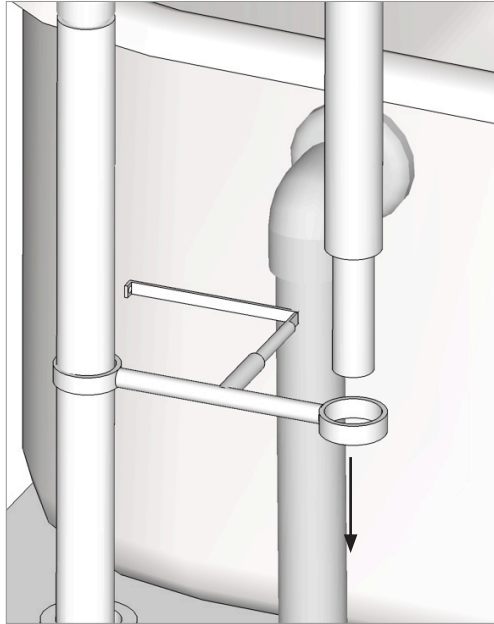


FIGURE 2 & 3 Slide Bracket

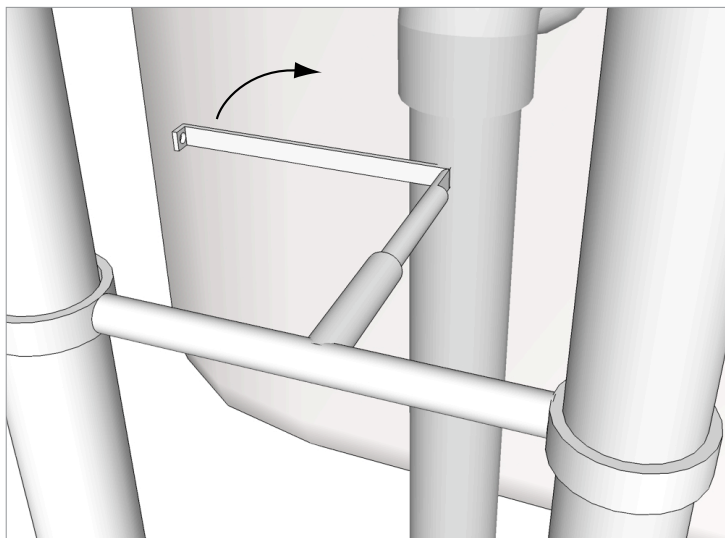
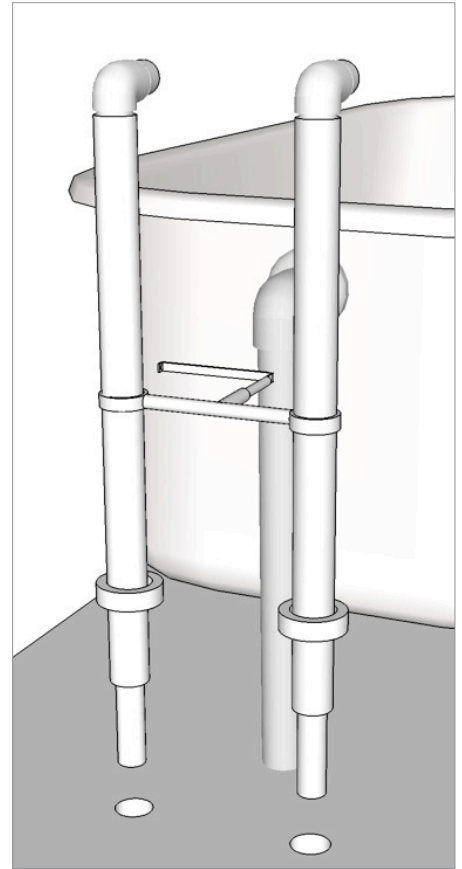


FIGURE 4 Bend Strap

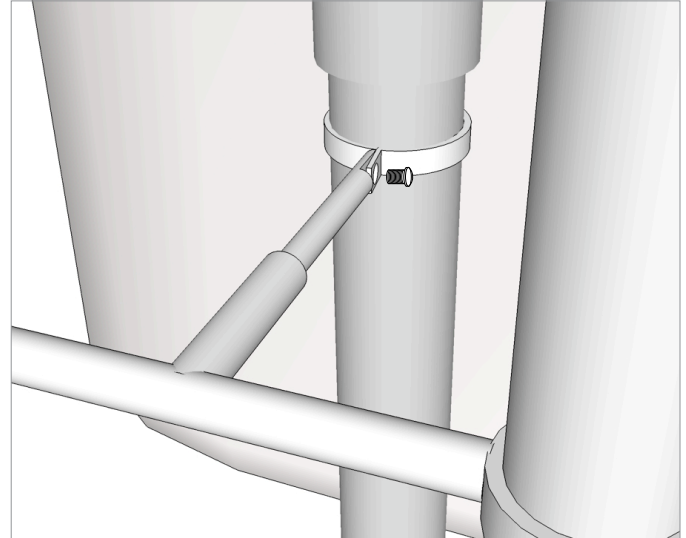
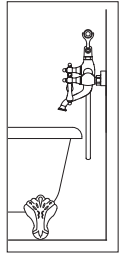


FIGURE 5 Secure Strap

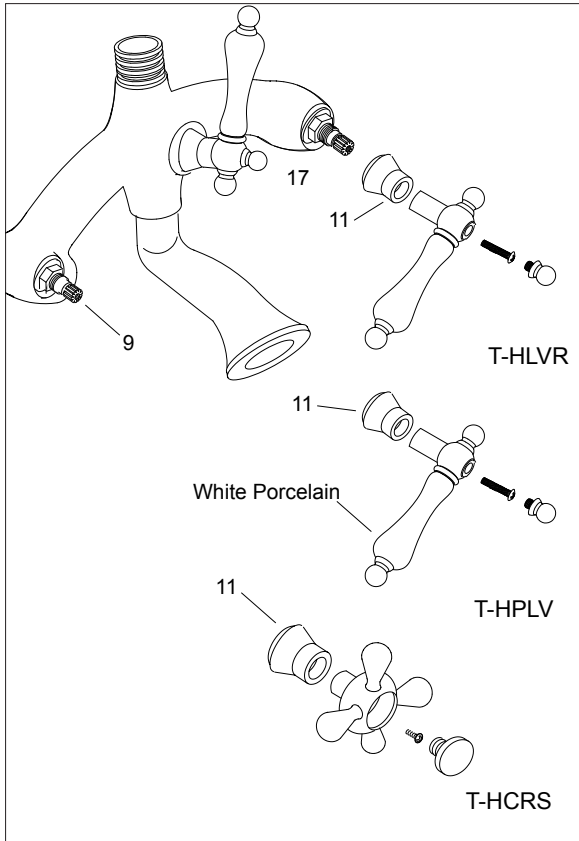
1. Assemble bracket as shown.
2. Slide support bracket onto risers before decorative escutcheons.
3. Bend metal strap around drain to create a clamp. Secure with screw provided.
Recommended height is just below drain overflow.
4. Proceed with step 6 of faucet installation.

TRADITIONAL WALL MOUNT TUB FAUCET



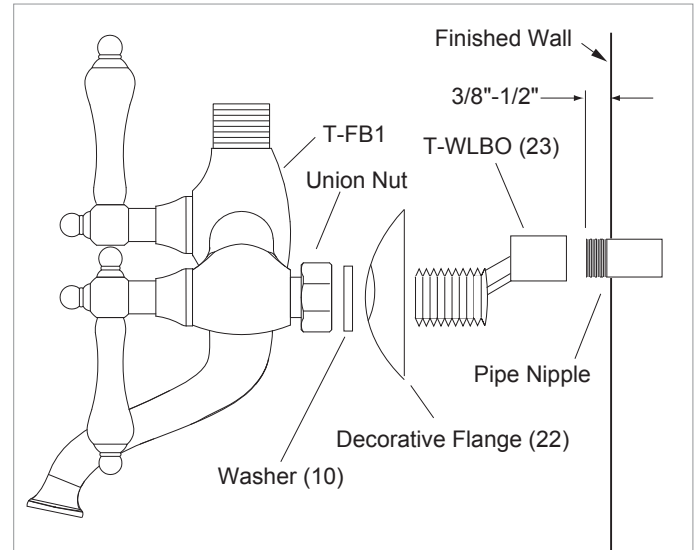
Notes:

1. Please ensure all local plumbing and building codes are observed when installing these faucets.
2. Mounting location depends on tub design and location. Be sure to identify tub height when determining faucet location.
3. There must be a minimum of 2" gap between top of tub rim and bottom of the faucet spout to comply with plumbing codes. (see fig. 4)
4. Water supply lines must be roughed in on 8" centers.



Step 1

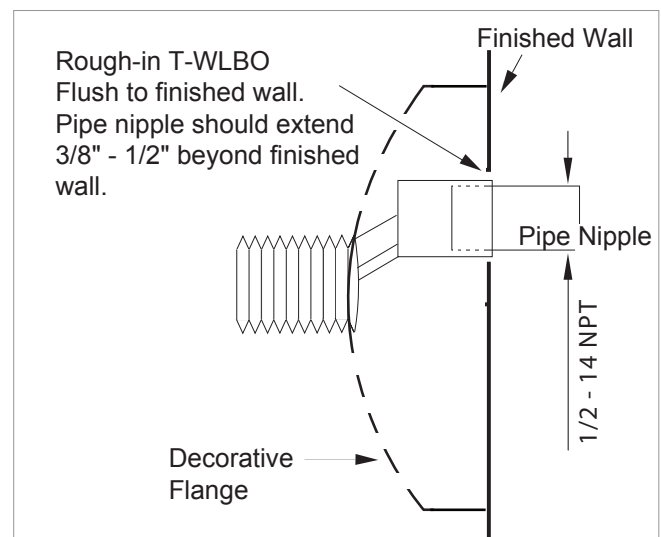
Screw #11 handle hub onto hot/cold cartridges #9 and #17. Disassemble handle and install onto cartridge by securing with screw included. Reassemble handle.

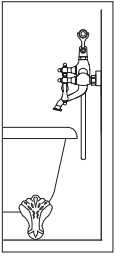


Step 2 Rough-in #23 T-WLBO flush to finished wall. Hot/Cold supplies should be roughed in on 8" centers and 1/2" pipe (supplied by installer) should extend 3/8" to 1/2" beyond the finished wall.

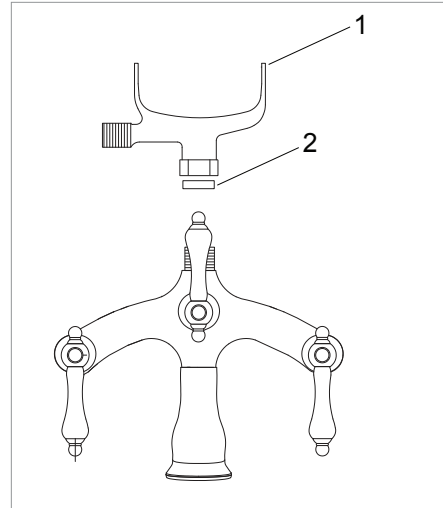
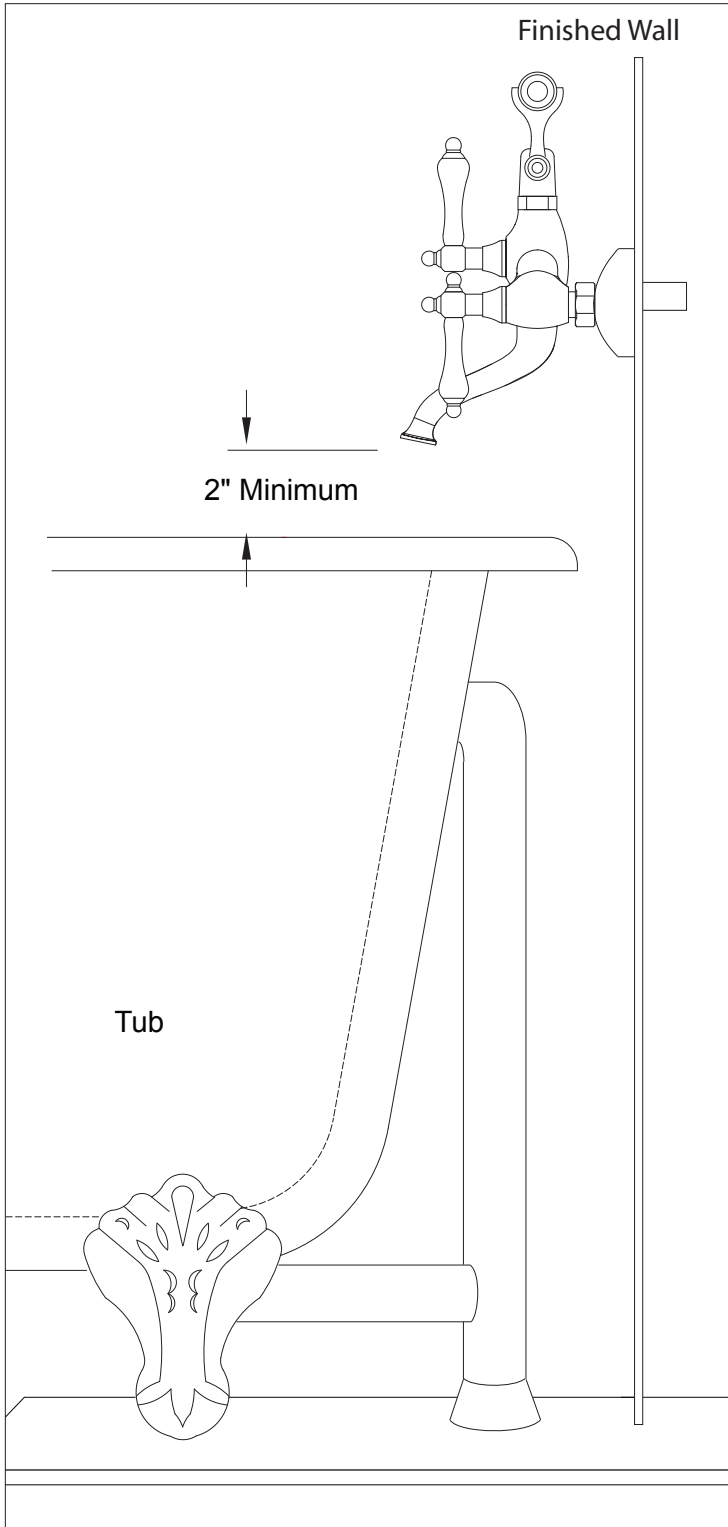
Step 3 Screw decorative flange #22 included with T-WLBO onto rough portion #23.

Step 4 Attach faucet to wall by screwing union nuts onto the T-WLBO wall elbows with #10 washer.



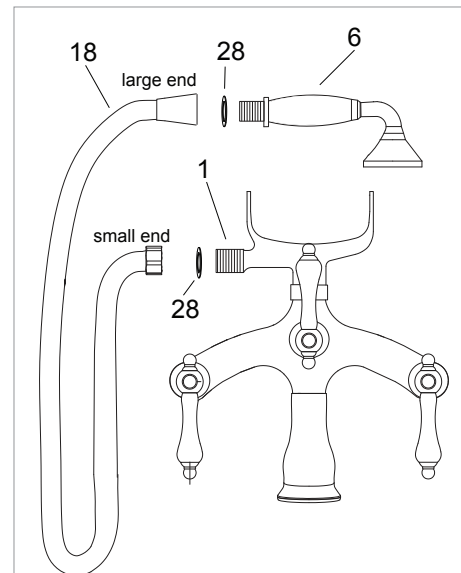


TRADITIONAL WALL MOUNT TUB FAUCET (cont.)



Step 5

Attach #1 handshower holder with #2 rubber gasket to outlet above diverter handle.



Step 6

Attach small end of #18 handshower hose with #28 washer to outlet on side of #1 handshower holder.

Step 7

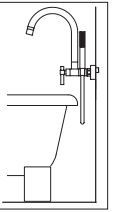
Attach large end of #18 handshower hose with #28 washer to #26 handshower and place in #1 holder.

Step 8

Turn water and check all connections for leaks.

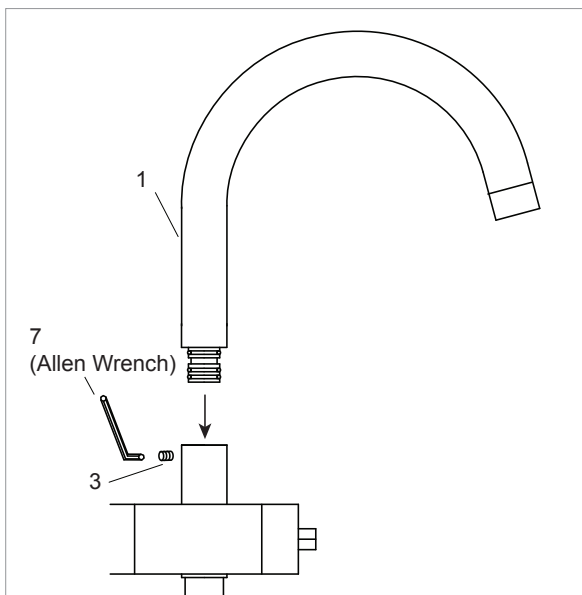
Figure 4

CONTEMPORARY WALL MOUNT TUB FAUCET

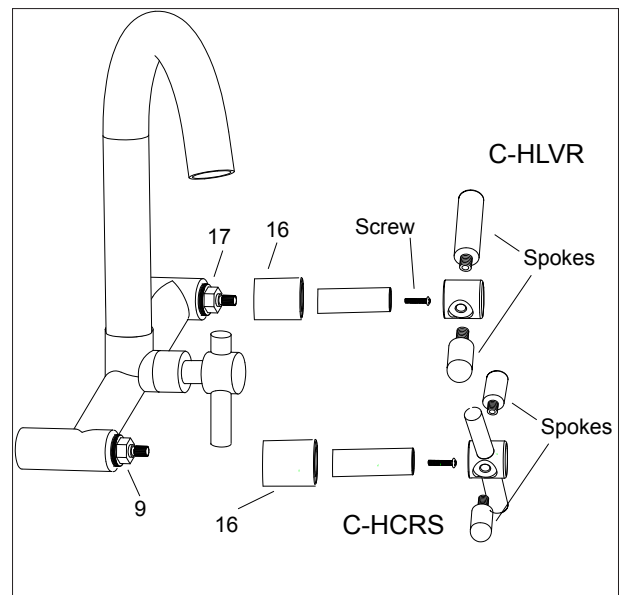


Notes:

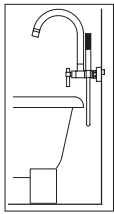
1. Please ensure all local plumbing and building codes are observed when installing these faucets.
2. Mounting location depends on tub design and location. Be sure to identify tub height when determining faucet location.
3. There must be a minimum of 2" gap between top of tub rim and bottom of the faucet spout to comply with plumbing codes.
4. Water supply lines must be roughed in on 8" centers.



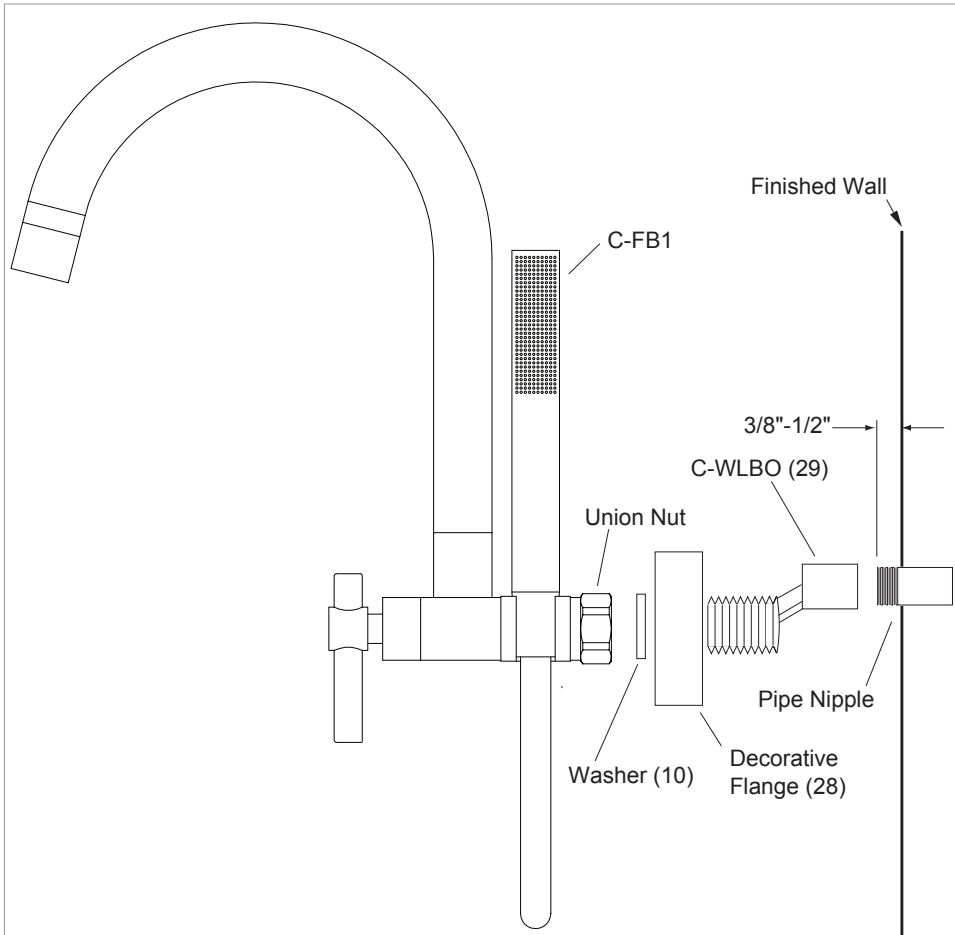
Step 1- Install #1 spout into faucet body by pushing straight down. Align spout facing forward then tighten with #3 allen screw (packaged separately with #7 allen wrench). Do Not Over Tighten.



Step 2- Screw #16 handle hub onto hot/cold cartridges #9 & #17. Disassemble handle by unscrewing spokes and install onto cartridge by securing with screw included. Reassemble handle.



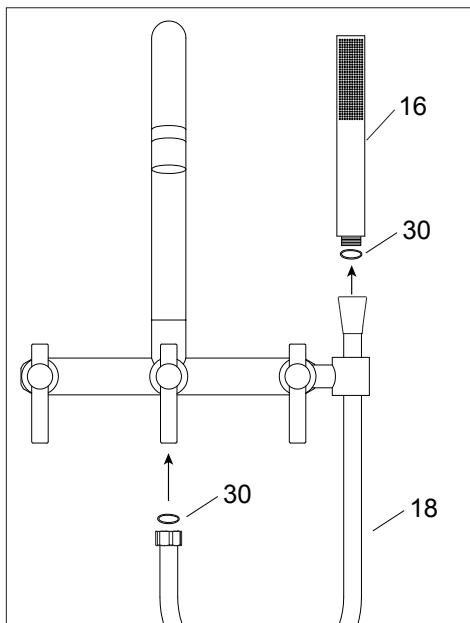
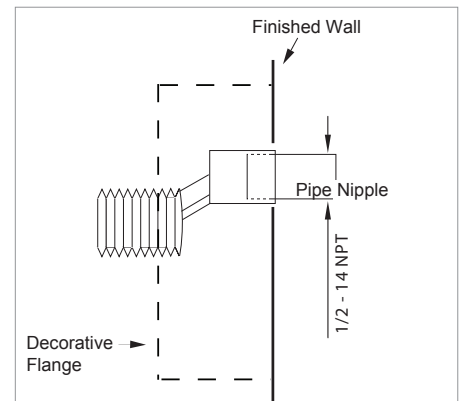
CONTEMPORARY WALL MOUNT TUB FAUCET (cont.)



Step 3: Rough-in #29 C-WLBO flush to finished wall. Hot/Cold supplies should be roughed in on 8" centers and 1/2" pipe should extend 3/8" to 1/2" beyond the finished wall.

Step 4: Screw #28 decorative flange included with C-WLBO onto rough portion of #29.

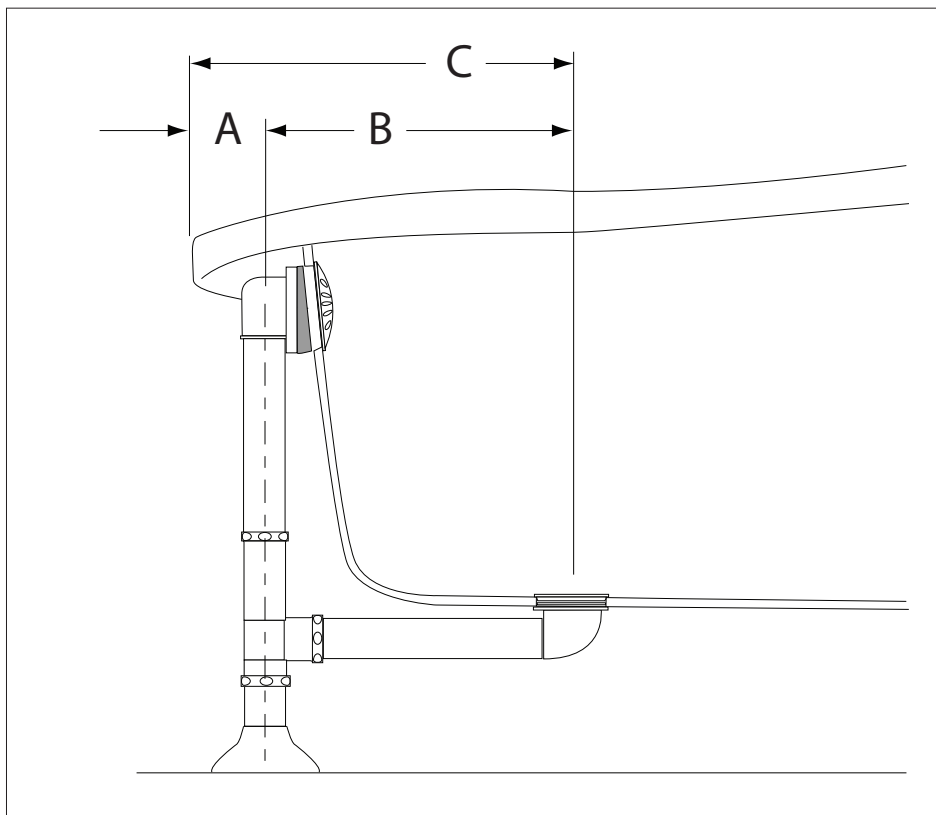
Step 5: Attach faucet to wall by screwing the union nuts onto the C-WLBO wall elbows with #10 washers.



Step 6- Attach small end of #18 handshower hose with #30 washer to outlet below diverter faucet handle.

Step 7- Attach large end of #18 hand shower hose to #16 handshower with #30 washer and place in holder.

Step 8- Turn on water and check all connections for leaks.



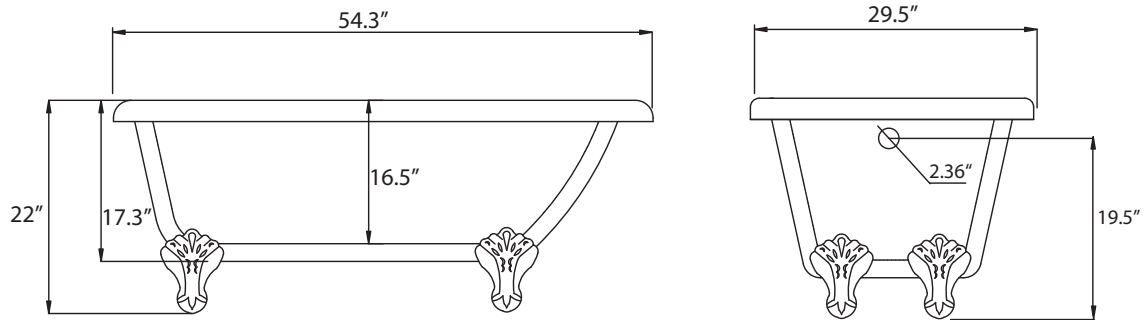
Model	CENTER OF OVERFLOW PIPE TO OUTSIDE TUB RIM A	CENTER OF OVERFLOW PIPE TO CENTER OF DRAIN HOLE B	CENTER OF DRAIN HOLE TO OUTSIDE TUB RIM C (REF)
LRT-154	2"	10"	12"
LRT-160	2-1/4"	9-1/2"	11-3/4"
LST-160	1-1/2"	10-1/2"	12"
LST-167	2"	9-1/2"	11-1/2"
LDT-160	1-1/2"	8-1/2"	10"
LDT-172	2"	10-1/2"	12-1/2"
LCOT-167	1-1/2"	7-1/2"	9"
LCRT-167	1-1/2"	9"	10-1/2"
LCAT-167	3-7/8"	5-7/8"	9-3/4"

ROUGHING-IN and SPECS

Augusta - 54" Rolltop Tub

LRT-154 (Tub)

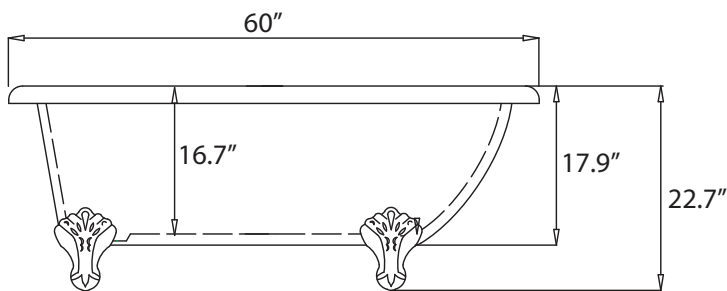
- Capacity: 45 Gallons
- Empty Tub Weight: 78 lbs
- Filled Tub Weight: 452 lbs
- Water Depth: 12-1/5"
- Requires T-TDRN or T-CDRN drain



Brighton - 60" Rolltop Tub

LRT-160 (Tub)

- Capacity: 48 Gallons
- Empty Tub Weight: 91 lbs
- Filled Tub Weight: 483 lbs
- Water Depth: 11-4/5"
- Requires T-TDRN or T-CDRN drain

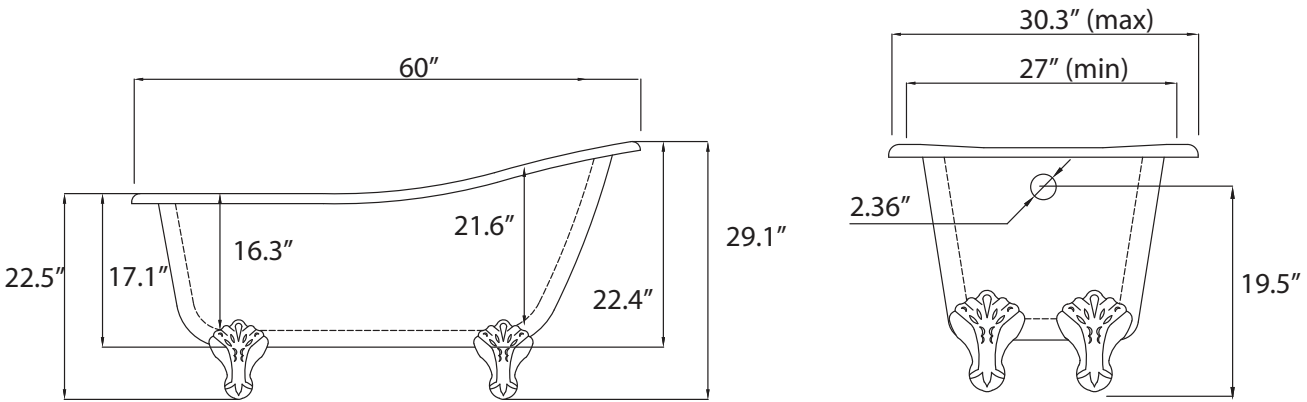


NOTE: Tubs are shown with Ball & Claw feet. Height remains the same if Cannonball feet are installed

Hawthorne - 60" Slipper Tub

LST-160 (Tub)

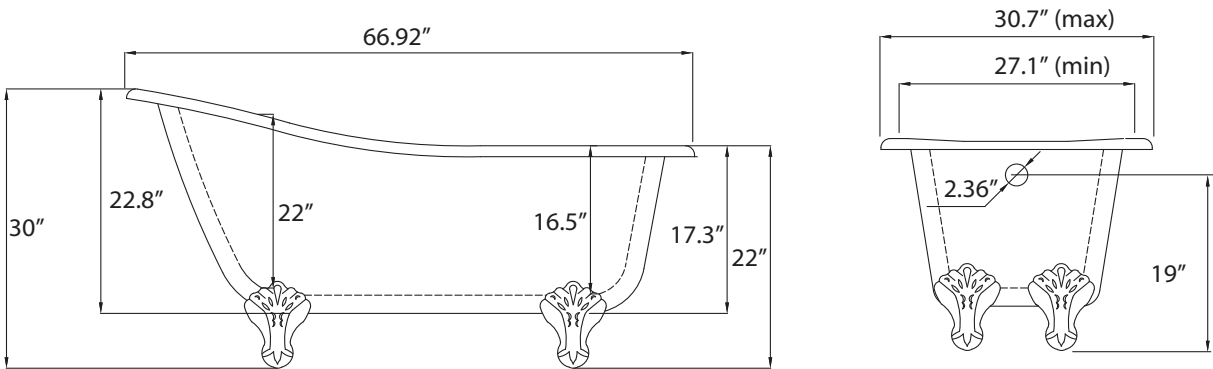
- Capacity: 43 Gallons
- Empty Tub Weight: 84 lbs
- Filled Tub Weight: 436 lbs
- Water Depth: 11-4/5"
- Requires T-TDRN or T-CDRN drain



Newton - 67" Slipper Tub

LST-167 (Tub)

- Capacity: 53 Gallons
- Empty Tub Weight: 98 lbs
- Filled Tub Weight: 538 lbs
- Water Depth: 11-4/5"
- Requires T-TDRN or T-CDRN drain



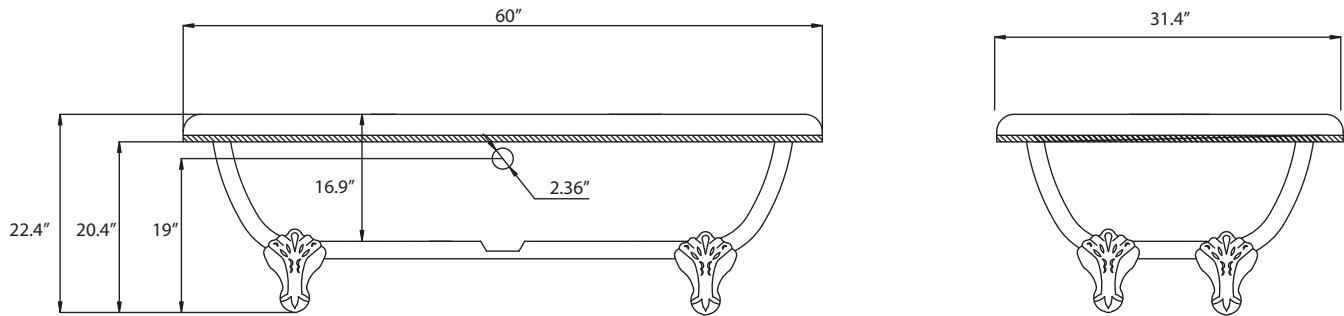
NOTE: Tubs are shown with Ball & Claw feet. Height remains the same if Cannonball feet are installed

ROUGHING-IN and SPECS

Portsmouth - 60" Dual Tub on Feet

LDT-160 (Tub)

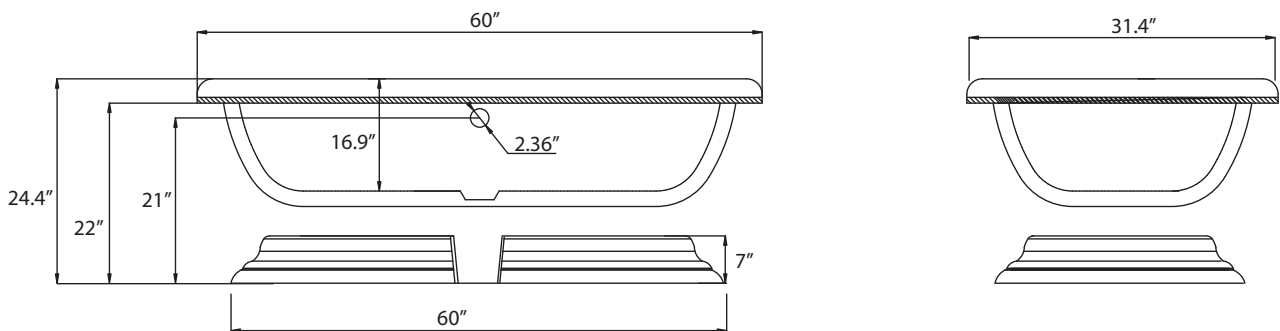
- Capacity: 56 Gallons
- Empty Tub Weight: 98 lbs
- Filled Tub Weight: 560 lbs
- Water Depth: 12-1/2"
- Requires T-TDRN or T-CDRN drain



Portsmouth - 60" Dual Tub on Plinth

LDT-160 (Tub) LAP-160 (Acrylic Plinth)

- Capacity: 56 Gallons
- Empty Tub Weight: 114 lbs
- Filled Tub Weight: 576 lbs
- Water Depth: 12-1/2"
- Requires T-TDRN or T-CDRN drain

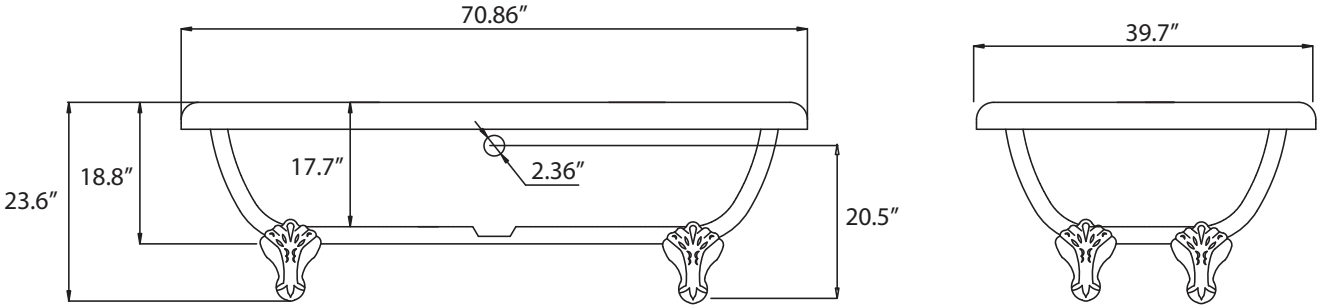


NOTE: Tubs are shown with Ball & Claw feet. Height remains the same if Cannonball feet are installed

Wescott - 72" Dual Tub on Feet

LDT-172 (Tub)

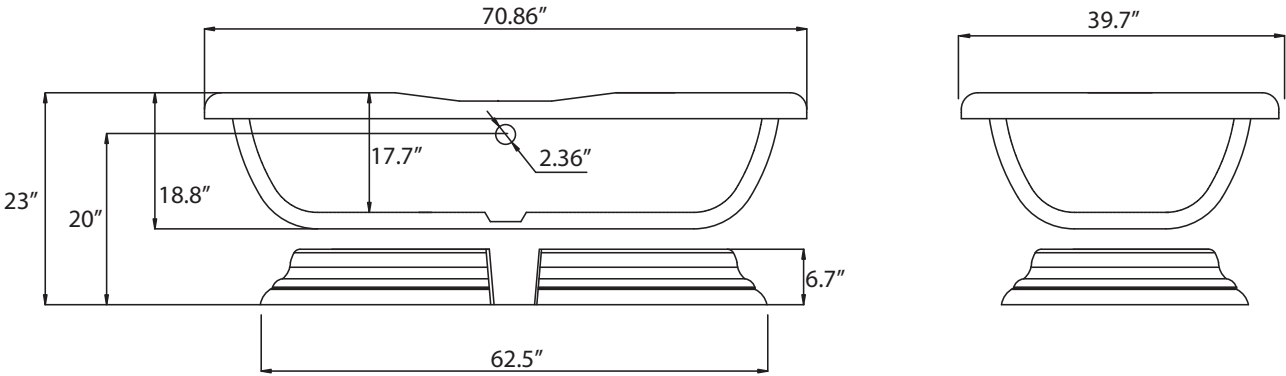
- Capacity: 85 Gallons
- Empty Tub Weight: 120 lbs
- Filled Tub Weight: 823 lbs
- Water Depth: 13-1/3"
- Requires T-TDRN or T-CDRN drain



Wescott - 72" Dual Tub on Plinth

LDT-172 (Tub) LAP-172 (Acrylic Plinth)

- Capacity: 85 Gallons
- Empty Tub Weight: 143 lbs
- Filled Tub Weight: 847 lbs
- Water Depth: 13-1/3"
- Requires T-TDRN or T-CDRN drain



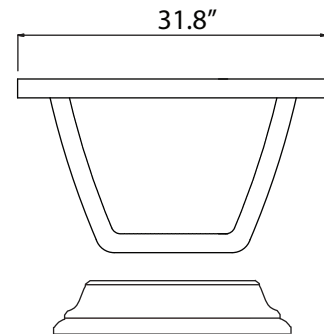
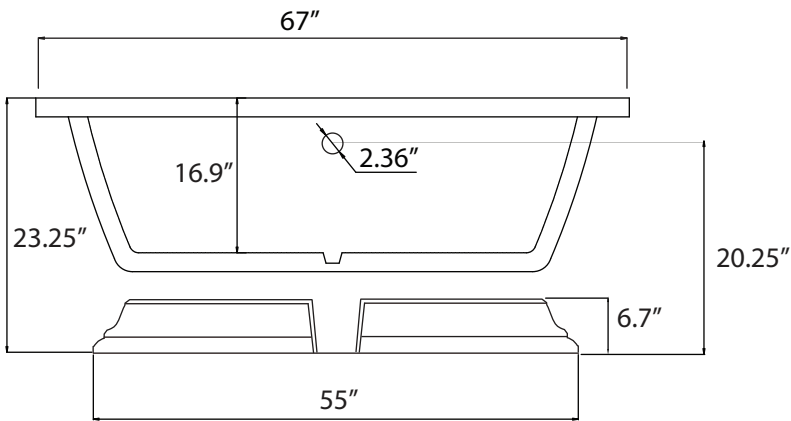
NOTE: Tubs are shown with Ball & Claw feet. Height remains the same if Cannonball feet are installed

ROUGHING-IN and SPECS

Capri - 67" Contemporary Oval Tub

LCOT-167 (Tub) LCOP-167 (Acrylic Plinth)

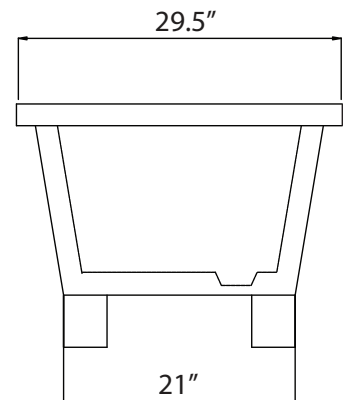
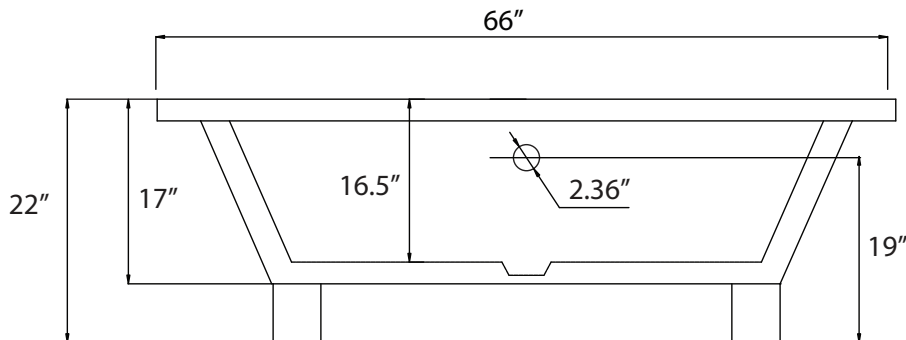
- Capacity: 61 Gallons
- Empty Tub Weight: 123 lbs
- Filled Tub Weight: 629 lbs
- Water Depth: 12-1/2"
- Requires C-TDRN-PC drain



Tella - 67" Contemporary Rectangle Tub on Feet

LCRT-167 (Tub) C-MLFT (Metal Feet)

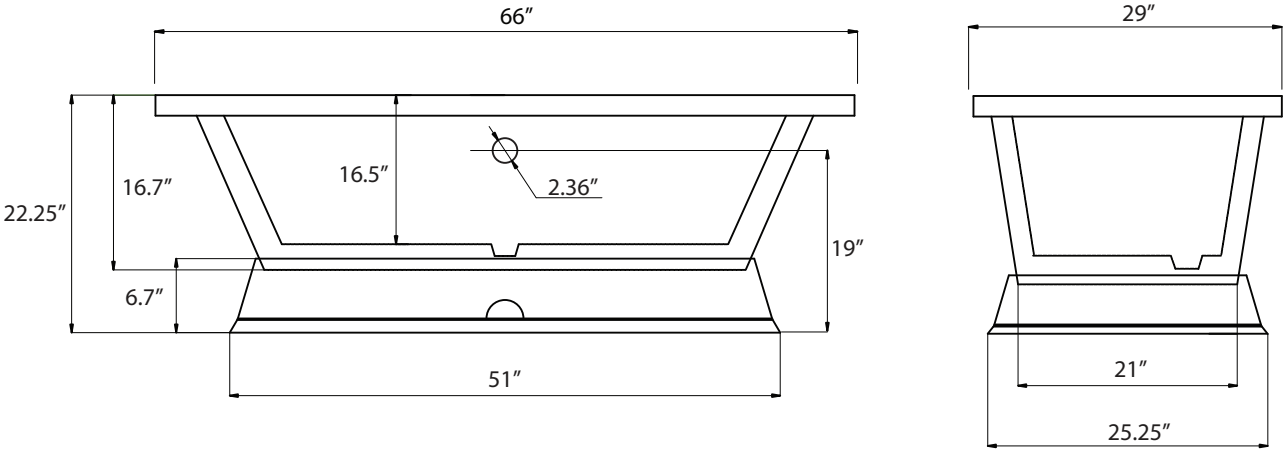
- Capacity: 74 Gallons
- Empty Tub Weight: 100 lbs
- Filled Tub Weight: 716 lbs
- Water Depth: 12-1/5"
- Requires C-TDRN-PC drain



Tella - 67" Contemporary Rectangle Tub on Wood Plinth

LCRT-167 (Tub) C-WDPL (Wood Plinth)

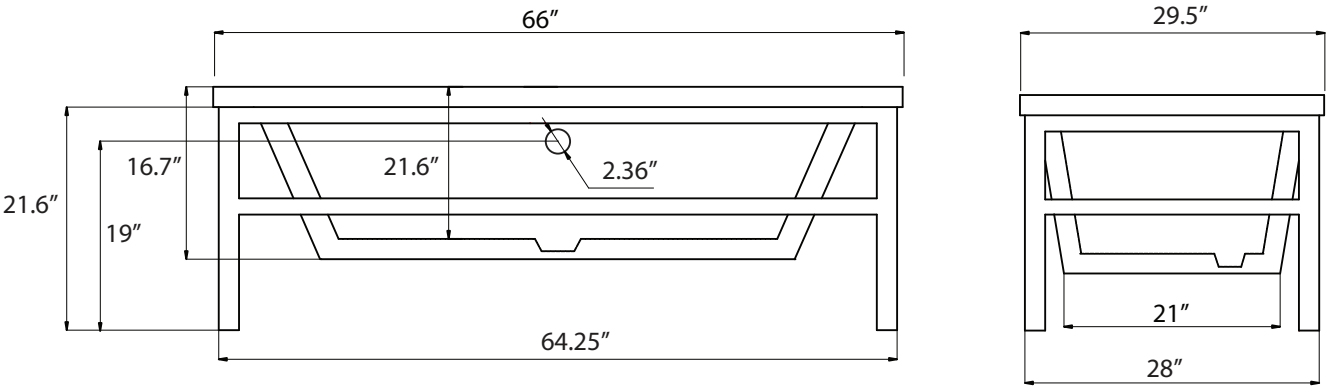
- Capacity: 74 Gallons
- Empty Tub Weight: 136 lbs
- Filled Tub Weight: 752 lbs
- Water Depth: 12-1/5"
- Requires C-TDRN-PC drain



Tella - 67" Contemporary Rectangle Tub in Wood Cradle

LCRT-167 (Tub) C-WDCR (Wood Cradle)

- Capacity: 74 Gallons
- Empty Tub Weight: 139 lbs
- Filled Tub Weight: 755 lbs
- Water Depth: 12-1/5"
- Requires C-TDRN-PC drain

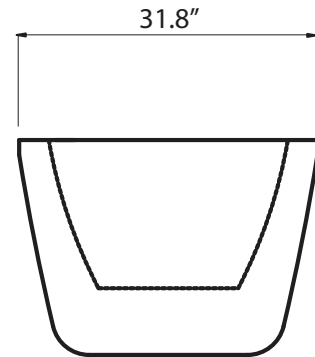
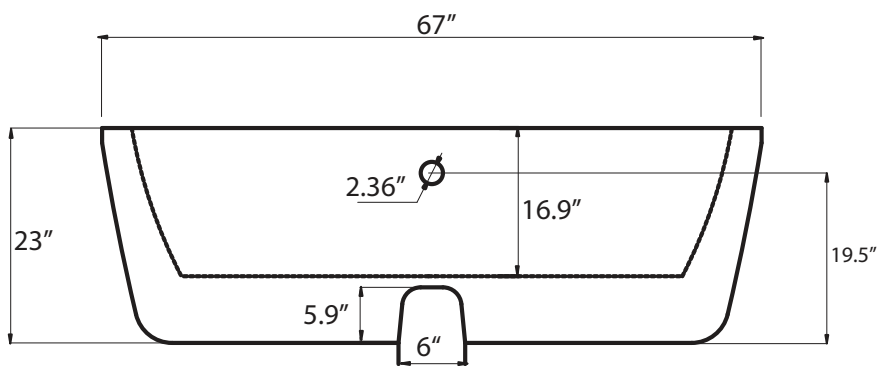


ROUGHING-IN and SPECS

Ventura - 67" Contemporary Apron Tub

LCAT-167 (Tub)

- Capacity: 61 Gallons
- Empty Tub Weight: 106 lbs
- Filled Tub Weight: 612 lbs
- Water Depth: 13-4/5"
- Requires C-FDRN-PC drain



CLEANING & MAINTAINING YOUR BATHTUB

Cleaning:

Faucets and acrylic tubs are very easy to clean and most dirt will simply wash off with clean water. We recommend using mild liquid dish washing soap such as Joy or Palmolive with a soft cloth or sponge. Never, under any circumstances, clean your plumbing fixtures with an abrasive cleaner or applicator, such as Scrubbing Bubbles, Comet or Scotch-Brite Pads.

Do not allow the tub or faucet's surface to come into contact with products such as acetone (nail polish remover), dry cleaning solution, paint remover or any type thinner. Use of these or any other harsh chemicals will destroy the acrylic and/or finish and will void your warranty.

The installation and service of your tub should be performed only by a qualified service technician. When contacting your dealer, always have your serial number, proof of purchase and model number ready. This will ensure a quick response on warranty items.

NOTE: ALL WARRANTY REPAIRS MUST BE AUTHORIZED BY GIAGNI BEFORE WORK IS STARTED. FOR SERVICE, ALWAYS CONTACT YOUR DEALER.

Information in this document is subject to change without notice. Copyright© 2007 Giagni. All rights reserved. Reproduction in any manner without the written permission of Giagni is strictly forbidden. Trademarks and trade names used in this document refer to either the entities claiming the marks and names of their products. Giagni disclaims any proprietary interest in trademarks and trade names other than its own.

G i a g n i

For additional assistance or service call: **1-888-560-5222 USA 8 a.m. to 6 p.m. EST Monday-Sunday**

G i a g n i

Contact information

Giagni

550 South Columbus Avenue

Mount Vernon, New York 10550

Phone: 888-560-5222

Fax: 888-560-8727