

# PARTS & ASSEMBLY SHEET


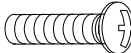
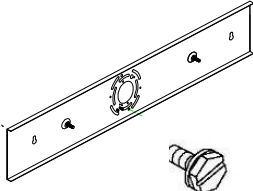
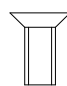
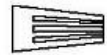
Fixture Name: Alannah 5503-BA4 CH

This fixture assembled PO: \_\_\_\_\_ Date: \_\_\_\_\_

**Notice:** Please review the parts listing and check for all parts before assembling the fixture. If any parts are missing or damaged, please note on this sheet and contact the place of purchase to arrange for replacement parts.

## PARTS LIST

Company Name: \_\_\_\_\_ Co. Account #: \_\_\_\_\_  
to be filled out by retailer

<p>Spacer 4ea Ø55*H18mm</p> 	<p>Junction Box Screw 2 ea #8-32N*H25mm</p> 	<p>Mounting Plate w/ ground screw 1ea</p> 
<p>Screw 4 ea 5/32"*H10mm</p> 	<p>Wire Connector 2ea P3 Orange</p> 	

Part Needed _____	Quantity _____
Part Needed _____	Quantity _____
Reason why _____ ( missing, scratched, broken glass, bent, bad finish)	
Comments _____	

### FIXTURE ASSEMBLY INSTRUCTIONS

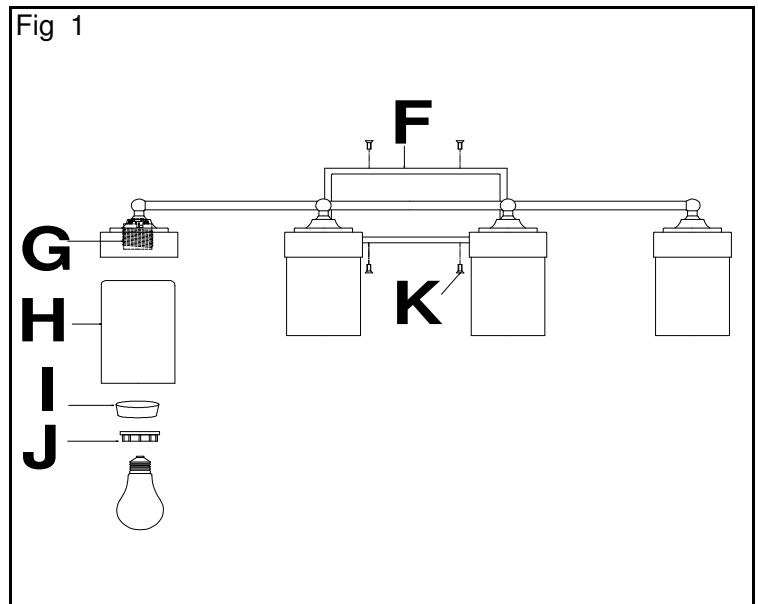
**Read and review installation instruction sheet before assembling the fixture.**

1. Slide Glass Shade (H) and Spacer (I) over Socket (G) and secure Glass Shade (H) and Spacer by threading the Socket Ring (J) onto the Socket (G) until tight.

2. Install the light bulbs in accordance with the fixture's specifications .

(DO NOT EXCEED THE MAXIMUM WATTAGE RATING!)  
**NOTE: INSTALL THE GLASS ASSEMBLY AFTER THE FIXTURE IS HUNG.**

5503-BA4 CH



For Customer Service, contact the place of purchase to arrange for replacement parts.

## WARNING ! SHUT OFF POWER AT FUSE OR CIRCUIT BREAKER.

### HANGING THE FIXTURE (Fig. 1)

- Carefully remove the new fixture from the carton and the yellow bag that holds all your parts. Check that all parts are included as shown in the illustration and parts list.
- Shut off power at the circuit breaker and remove the old fixture from wall, including the old mounting strap.
- If desired you can use Anchor screws(not included) to secure the Mounting Plate. Hold Mounting Plate(B) up against the wall aligning the two holes in the Junction Box with appropriate slots in the Mounting Plate. Then while the Mounting Plate is leveled horizontally, use a pen or pencil to make a mark on the wall at keyholes located near each end of mounting Plate. Set aside the Mounting Plate and pre-drill the the holes. Insert Wall Anchors (A) into the two holes made on the wall.
- Attach the Mounting Plate (B) to the Junction Box using the two mounting screws (E) and the Anchor screws (C) and tighten securely with screw driver.

### CONNECTING THE WIRES (Fig 2)

- Attach the power supply wires to the fixture lead wires by connecting BLACK to BLACK (or SMOOTH) and WHITE to WHITE (or RIBBED).
  - Attach the GROUND wire(GREEN or COPPER) from the Junction Box and the fixture Ground wire to the green Ground Screw on the Mounting Plate (B) or connect both wires together using the correct size of wire connectors.
- NOTE:Twist the wires together in the same direction you twist the wire connector onto the wires.
- Tuck these wire connections neatly into the Junction Box.

### FINISHING THE INSTALLATION (Fig.3)

- After tucking these wire connections neatly into the Junction Box, place the fixture Back Plate (F) over the Mounting Plate (B).
  - Secure the Back Plate (F) against the wall by threading four Screws (K) into the holes on top and bottom of Mounting Plate (B) until tight as shown.
  - Install the light bulbs and glass shades as per the fixture assembly sheet.
- YOUR INSTALLATION IS NOW COMPLETE. RETURN POWER TO THE JUNCTION BOX AND TEST THE FIXTURE.

Fig. 1

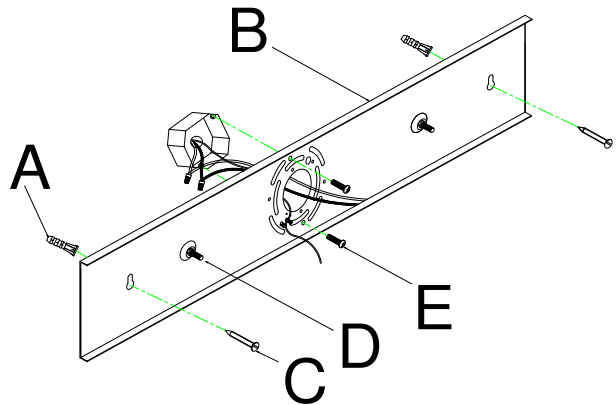


Fig. 2

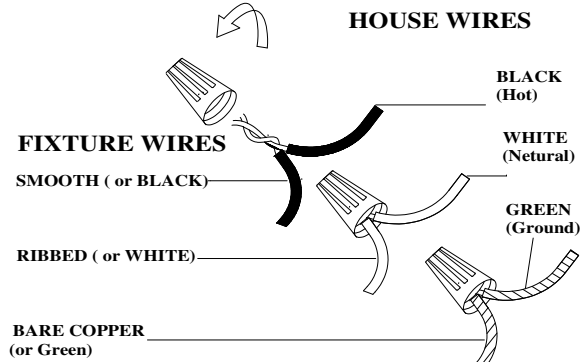


Fig. 3

