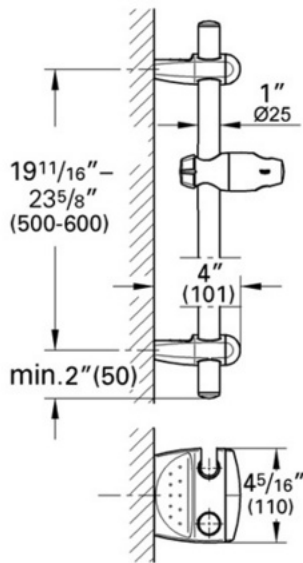


Accessories 28 723

24" Shower Bar



Description

Swivel hand shower holder w/ adjustable height
Variable fixing point mounting brackets for easy retrofit

Multi-function mounting brackets serve as: hand shower holder, hose guide, and small shelves

Optional accessory tray - see 28 549 (sold separately)

Flow Rate

2.5 gpm at 80 psi (9.5 lpm)

Code Compliance

* ASME/ANSI A112.18.M

Finish Options

- 28 723 OOO Chrome
- 28 723 ROO Infinity Polished Brass
- 28 723 AVO Infinity Satin Nickel
- 28 723 RRO Velour Chrome
- 28 723 BEO Sterling Infinity Finish
- 28 723 BKO ALU-XT
- 28 723 ENO Infinity Brushed Nickel
- 28 723 ZBO Oil Rubbed Bronze