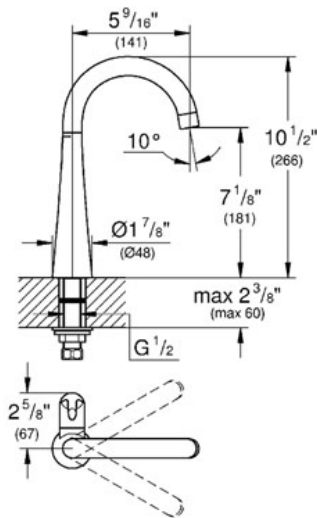


LADYLUX3
Pilar Tap 1/2"
MODEL # 30026

Pure Freude an Wasser



GROHE America, Inc | 200 North Gary Avenue, Suite G, Roselle, IL 60172
Phone: +1 (800) 444-7643 | Fax: +1 (800) 225-2778 | us-customerservice@grohe.com



Product Description:
Pilar Tap 1/2"

Standard Specification:

- GROHE StarLight® finish
- GROHE SuperSteel Infinity Finish™
- GROHE RealSteel® Stainless Steel Construction produced from 304 stainless steel
- Ceramic cartridge
- Single hole installation
- Swivel Spout
- Swivel area 360°
- Flow control
- Spout Reach 5 9/16"
- Max Flow Rate 1.75 gpm (6.6 L/min)

Applicable Codes & Standards:

- Energy Policy Act of 1992
- NSF 61
- ASME A112.18.1/CSA B125.1
- US Federal and State material regulations
- ICC/ANSI A117.1

Color:

- 30026 000 chrome
- 30026 00E chrome
- 30026 DC0 supersteel
- 30026 DCE supersteel
- 30026 SD0 GROHE RealSteel®
- 30026 SDE stainless steel

