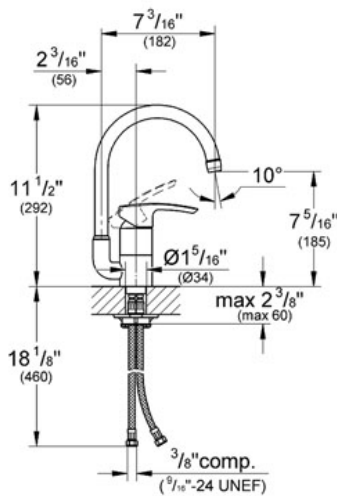


EUROSTYLE  
Single-lever sink mixer, 1/2"  
MODEL # 33986

Pure Freude an Wasser



GROHE America, Inc | 200 North Gary Avenue, Suite G, Roselle, IL 60172  
Phone: +1 (800) 444-7643 | Fax: +1 (800) 225-2778 | us-customerservice@grohe.com



**Product Description:**  
Single-lever sink mixer, 1/2"

- Standard Specification:**
- GROHE StarLight® finish
  - GROHE SilkMove® ceramic cartridge
  - Single hole installation
  - Adjustable flow rate limiter
  - Swivel Spout
  - Flow control
  - Stainless Steel Braided Flexible Supplies
  - Quick installation system
  - Single Lever Handle
  - Spout Reach 8 7/8"
  - Max Flow Rate 1.75 gpm (6.6 L/min)

- Applicable Codes & Standards:**
- Energy Policy Act of 1992
  - NSF 61
  - ASME A112.18.1/CSA B125.1
  - US Federal and State material regulations
  - ICC/ANSI A117.1

- Color:**
- 33986 001 chrome
  - 33986 EN1 Brushed Nickel inf

