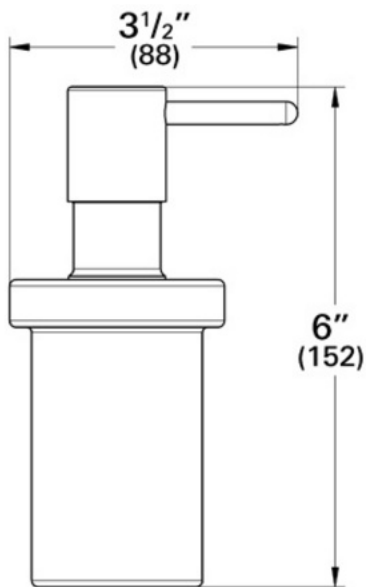


40 389 Soap Dispenser without holder



Description

-AVAILABLE ONLY THROUGH AUTHORIZED GROHE ONDUS SHOWROOMS-

Satin glass

Use in combination with holder, 40 376

Flow Rate

N/A

Code Compliance

ASME/ANSI A112.18.1M

Finish Options

40 389 000 Starlight® Chrome

40 389 KS0 Velvet Black

40 389 LS0 Moon White

40 389 BS0 Titanium