

19 843 Authentic Single Function Pressure Balance Trim with Control Module



Description

For shower only or shower/tub with diverter applications
 Integrated bypass option when used with diverter tub spout
 1 axis operation

For use with GrohFlex Universal Rough-In Box 35 026 000 sold separately.

Flow Rate

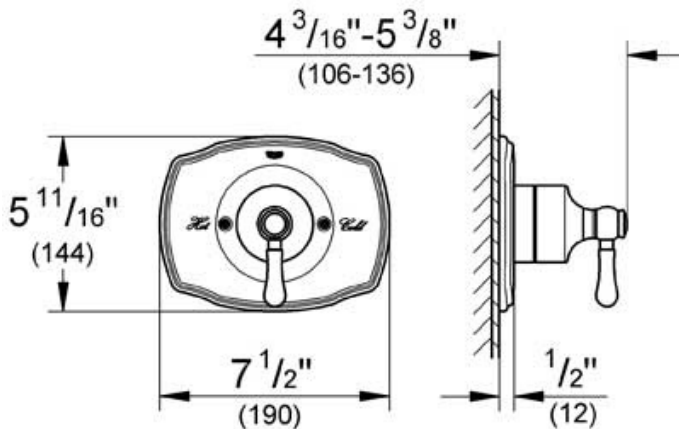
6.6 gpm at 45 psi (25 l/min)

Code Compliance

ASME/ANSI A112.18.1M
 CSA Standard B125.1-05
 ADA Compliant

Available Finishes

000 Starlight® Chrome
 BE0 Polished Nickel Infinity Finish
 EN0 Infinity Brushed Nickel
 ZB0 Oil Rubbed Bronze



Seabury 13 615

Tub spout



Description

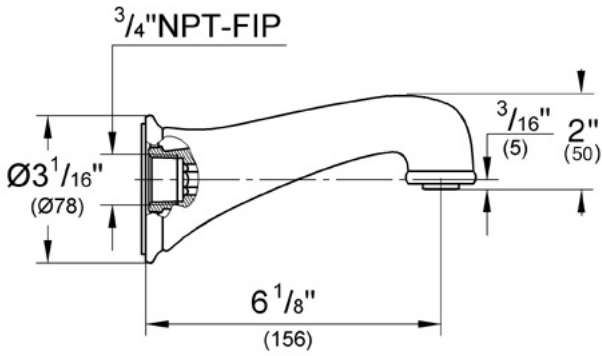
Cast brass body
Wall mount 3/4" inlet

Flow Rate

NA

Finish Options

- 13 615 OOO Chrome
- 13 615 ROO Infinity Polished Brass
- 13 615 AVO Infinity Satin Nickel
- 13 615 RRO Velour Chrome
- 13 615 BEO Sterling Infinity Finish
- 13 615 ENO Infinity Brushed Nickel
- 13 615 ZBO Oil Rubbed Bronze



35 026 Universal Rough-In Box



Description

- 1/2" inlets and outlets
- Fixing points for front and back wall
- Leakproof housing
- Integrated service stops
- Flushing plug
- Removable protection cover with installation information

For use with the GrohFlex Bathroom Solution Kits (sold separately): Single Function, Dual Function, or Custom Shower.

Flow Rate

N/A

Code Compliance

ASME/ANSI A112.18.1M
CSA Standard B125.1-05

Available Finishes

000 Rough-In

