

## Product Features

- 4" large flat spray
- Mounts flush to wall
- AIR injection
- 1 gpm
- 1/2" NPT female inlet

## Code Compliance

This unit meets or exceeds the following:

- ASME A112.18.1
- CSA B125.1
- Listed by IAPMO
- Approved for use in Massachusetts

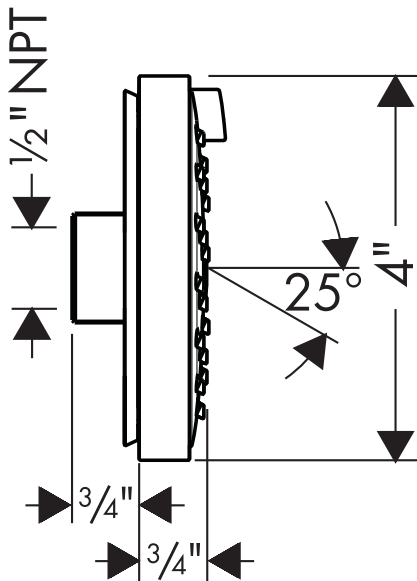
## Available Finishes

Chrome

28477001

Brushed Nickel

28477821



The measurements shown are for reference only.

Products and specifications shown are subject to change without notice.

Specification sheet revised 7/2008