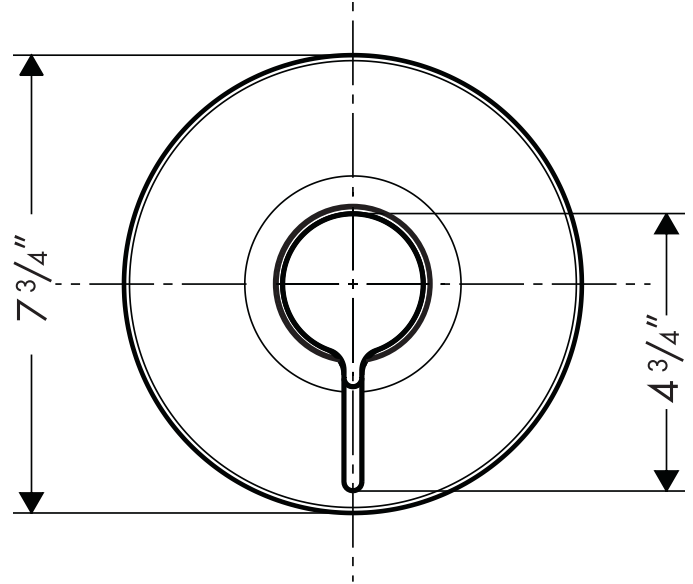
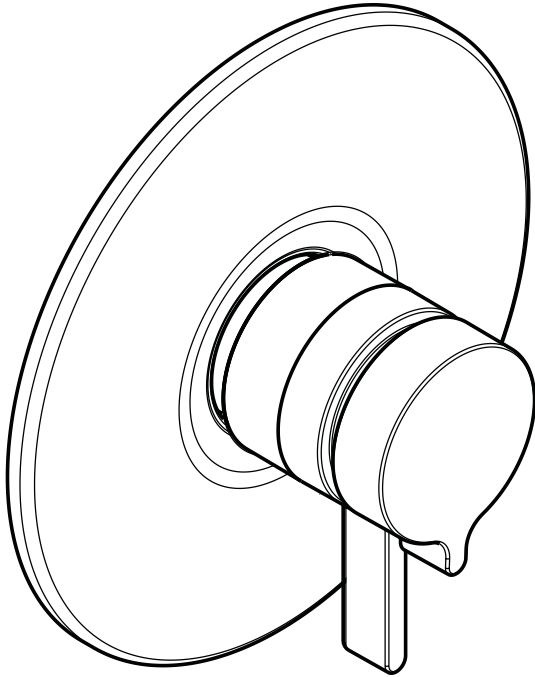


Trim, Metris™ ThermoBalance™ I 31316XX1

Available in Chrome (00), Brushed Nickel (82)



Product Specification

Thermostatic temperature control

Independent temperature and volume control

100° safety stop

High temperature limit stop may be reset to comply with local plumbing codes

Set your preferred water temperature

Up to 9.5 gpm @ 44 psi

Requires rough 06622000, 06621000, 06300000, or 06301000

hansgrohe