

Product Features

- Thermostatic temperature control
- Volume control and diverter for two outlets
- 100° F safety stop
- Flow rate 8 gpm @ 44 psi

Code Compliance

This unit meets or exceeds the following:

- ASME A112.18.1
- CSA B125.1
- Listed by IAPMO

Available Finishes

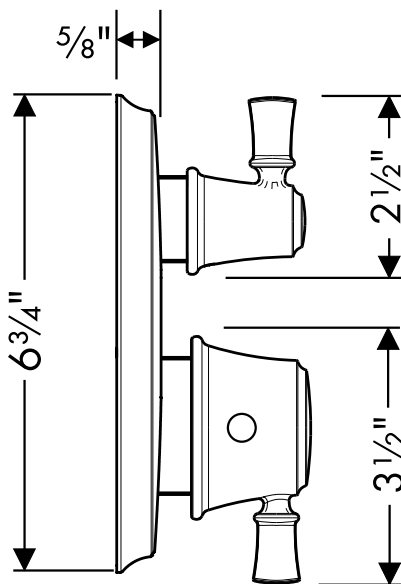
Chrome	04221000
Oil Rub Bronze	04221620
Brushed Nickel	04221820
Polished Nickel	04221830
Rubbed Bronze	04221920

Required Accessories

iBox Universal Plus	01850181
---------------------	----------

Optional Accessories

Shallow extension set	13596XX0
-----------------------	----------



The measurements shown are for reference only.

Products and specifications shown are subject to change without notice.

Specification sheet revised 5/2010