



# The Next Necessity™

## Instant Hot Water Dispensers

### Model F-GN2200 Victorian

Our finest line of instant hot water dispensers for use with our Stainless Steel Tank for filtered near-boiling 200°F water

Tank and filter sold separately (SST-FLTR)



### Submittal Sheet

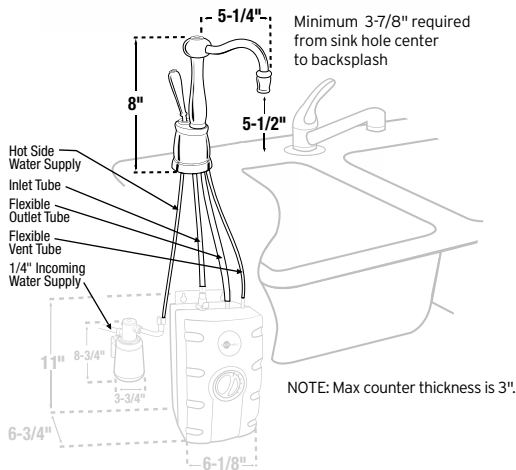
- **Hot Only** - Dispenses near-boiling 200°F water
- Graceful classic-design spout swivels for greater convenience and stylish integrated levers provide a dramatic look
- Hot lever automatically shuts off
- Durable all brass faucet construction
- 5-Year We Come To You™ In-Home Service Warranty\*
- For use with InSinkEerator Stainless Steel Tank and F-201 Filtration System
- **Available in these designer finishes:** white, biscuit, almond, French gold, satin nickel, polished nickel, chrome, brushed chrome, mocha bronze, oil rubbed bronze, matte black and gloss black

### Specifications

|                        |                                    |
|------------------------|------------------------------------|
| Valve                  | Instant, self-closing              |
| Shipping Weight        | Approximately 5.0 lbs.             |
| Required Hole Diameter | 1-1/4" - 1-1/2" standard sink hole |



### Dimensions



### Sample Specification

Instant hot water dispenser(s) shall be InSinkEerator Model F-GN2200 with 2/3-gallon stainless steel tank, adjustable temperature from 160°F to 210°F and instant, self-closing hot valve.

**Warranty:**  
5-year parts and in-home service.

\* The complete InSinkEerator warranty is included in the Care & Use booklet packed with each unit.

### Job Specifications



1-800-558-5700  
www.insinkerator.com



**EMERSON™**  
Appliance Solutions

The Emerson logo is a trademark and service mark of Emerson Electric Co. InSinkEerator is a division of Emerson Electric Co.