



The Next Necessity™

Instant Hot Water Dispensers

Model F-GN2215 Country

Our finest line of instant hot water dispensers for use with our Stainless Steel Tank for filtered near-boiling 200°F water

Tank and filter sold separately (SST-FLTR)



Submittal Sheet

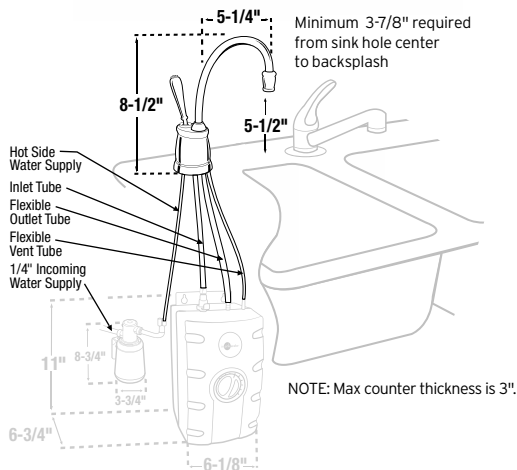
- **Hot Only** - Dispenses near-boiling 200°F water
- Graceful classic-design spout swivels for greater convenience and stylish integrated levers provide a dramatic look
- Hot lever automatically shuts off
- Durable all brass faucet construction
- 5-Year We Come To You™ In-Home Service Warranty*
- For use with InSinkErator Stainless Steel Tank and F-201 Filtration System
- **Available in these designer finishes:** white, biscuit, almond, French gold, satin nickel, polished nickel, chrome, brushed chrome, mocha bronze, oil rubbed bronze, matte black and gloss black

Specifications

Valve	Instant, self-closing
Shipping Weight	Approximately 5.0 lbs.
Required Hole Diameter	1-1/4" - 1-1/2" standard sink hole

Water Filtration System Available

Dimensions



Sample Specification

Instant hot water dispenser(s) shall be InSinkErator Model F-GN2215 with 2/3-gallon stainless steel tank, adjustable temperature from 160°F to 210°F and instant, self-closing hot valve.

Warranty:
5-year parts and in-home service.

* The complete InSinkErator warranty is included in the Care & Use booklet packed with each unit.

Job Specifications



1-800-558-5700
www.insinkerator.com



EMERSON™
Appliance Solutions

The Emerson logo is a trademark and service mark of Emerson Electric Co. InSinkErator is a division of Emerson Electric Co.