

# Bellavista 7242 LH Whirlpool



Product Codes beginning with: BEL7242WCL

Also applies to products sold under part numbers: BT65, JP15, JP20, JP25, JP30, JP35, JP40, JP45

## TECHNICAL SPECIFICATIONS

	English	Metric
Outer Dimensions	72" L x 42" W x 26" H	1829 mm L x 1067 mm W x 660 mm H
Interior Dimensions (bottom of bath) L x W (Mid) x W (End)	46" L x 25" W x 25" W	1168 mm L x 635 mm W x 635 mm W
Drain/Pump Configuration	Center drain/Left end pump	Center drain/Left end pump
Bath Weight (empty)	142 lbs	65 kg
Total Weight/Floor Loading	1,233 lbs 58.7 lbs/ft <sup>2</sup>	560 kg 286 kg/m <sup>2</sup>
Operating Gallonage (min-max)	84 (min) 95 (max) U.S. Gals	318 (min) 360 (max) L
Electrical Specifications	<b>Each component requires a separate, dedicated GCFI protected circuit</b>	
Motor/Pump	120V 20A 60HZ	
Heater	120V 15A 60HZ	

## FEATURES, UPGRADES & ACCESSORIES

**Material Type:** High-Gloss Acrylic

**Install Type:** Drop-in

**Available Colors:** White (W), Almond (A), Oyster (Y), Black (B)

**Cut-out Template:** P187000

**Standard (Included) Features:**

10 jets, In-line Heater,

Chromatherapy lighting

**Available Control Systems:**

J4 Luxury Control Panel (standard)

J5 Luxury LCD Control Panel

**Available Upgrades:**

Whisper Quiet Technology,

Illumatherapy Lighting

**Available Accessories:**

DA34 Rotary Drain Kit PVC (specify metal finish)

HP55 Rotary Drain Kit (specify metal finish)

D095 TheraPro Jet Trim Kit (specify metal finish)

P556 AccuPro Jet Trim Kit (specify metal finish)

G864 Hand Rails (specify metal finish)

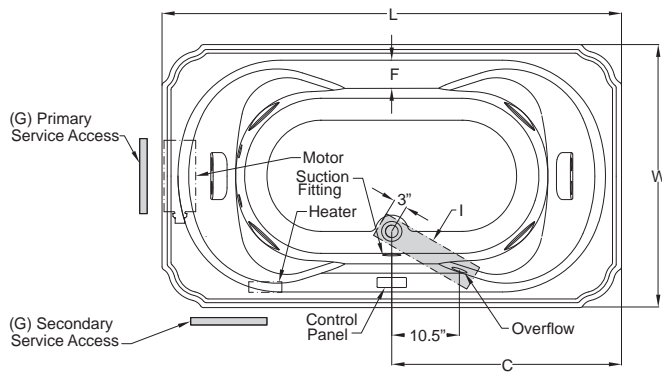
827: Chrome, 826: Brushed Nickel, 845: Oil Rubbed Bronze

\*Note: D095 (Chrome) is standard on Illumatherapy jets.

C263 Curved Pillow (specify color) 959: White, 958: Almond, 969: Oyster

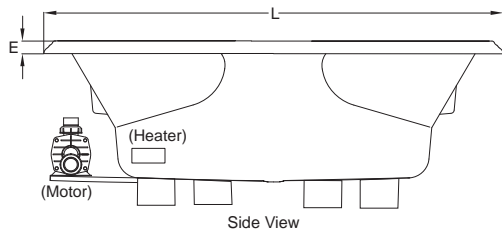
GQ88 Light Chromatherapy Add-on Kit

## KEY DIMENSIONS



\*Deck width reflects only area indicated on detail.

Letter	Description	English	Metric
L	Outer Length	72"	1829 mm
W	Outer Width	42"	1067 mm
H	Overall Height	26"	660 mm
A	Overflow Height	20"	508 mm
B	Long Edge to Drain Center	11 3/4"	298 mm
C	Short Edge to Drain Center	36"	914 mm
D	Drain Shoe Length	6"	152 mm
E	Deck Height	2"	51 mm
F	Deck Width*	3"	76 mm
G	Service Access Dimensions	12" H x 18" L	305 mm x 457 mm
I	Floor Cut-out for Drain	17" x 4"	432 mm x 102 mm



NOTE: Graphics May Not be to Scale

