

# TECHNICAL SPECIFICATIONS



## Capella® 60 Corner Pure Air II™ Bath

CAP6060 ACR 2XX

Capella 60 Corner Pure Air II™ Bath

Right Hand (BE60)

### INSTALLATION NOTES

Refer to installation instructions included with fixture before beginning installation. Please confirm product availability and specifications before commencing with any installation work.

PRODUCT SPECIFICATIONS AND AVAILABILITY ARE SUBJECT TO CHANGE WITHOUT NOTICE.

## KEY DIMENSIONS

### DIMENSIONS

60" L x 60" W x 20-1/2" H

(1524 mm) L x (1524 mm) W x (521 mm) H

### DRAIN/OVERFLOW

A: 18" (457 mm) B: 12-1/8" (308 mm)

### CUTOUT

Not Available

### TOTAL WEIGHT

1197 lb (543 kg) / 55.8 lb/sq. ft. (272 kg/m<sup>2</sup>)

### OPERATING GALLONAGE

Min. 52 U.S. Gal. (197 Liters)

Max. 84 U.S. Gal. (318 Liters)

### PRODUCT WEIGHT

150 lb (80 kg)

### SKIRT MOUNTING

Not Available

### ELECTRICAL SPECIFICATIONS

Requires a dedicated GFCI protected separate circuit.

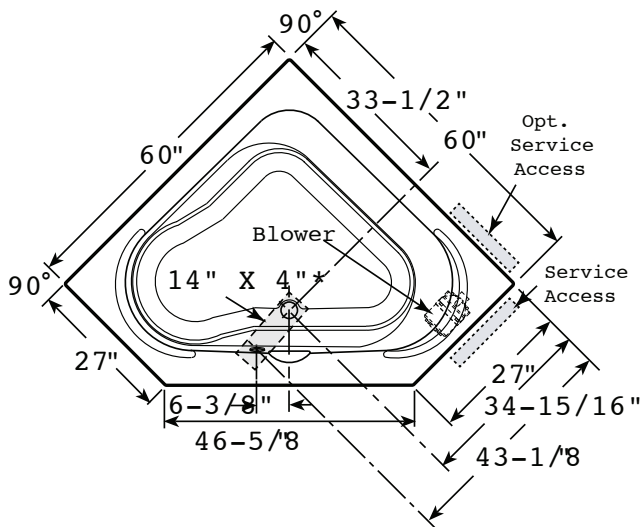
Blower: 120 VAC, 15 AMP, 60 Hz.

### HEATER

No water heater is available on this unit. Blower has integral air heater.

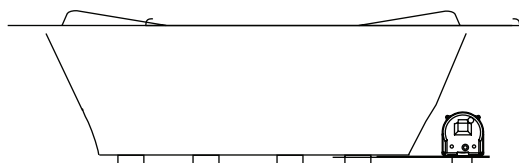
## FEATURES, UPGRADES & ACCESSORIES

- Center Drain Location
- Accessories / Hardware:
  - Trim Kit Rotary: #XX59
  - Rotary Drain Kit, 26" Cable: #8730
- Trim Kit Finishes Available:
  - (827) – Chrome
  - (898) – Brushed Chrome
  - (815) – Satin Nickel
  - (829) – Bright Brass
  - (826) – Brushed Nickel
  - (845) – Oil Rubbed Bronze

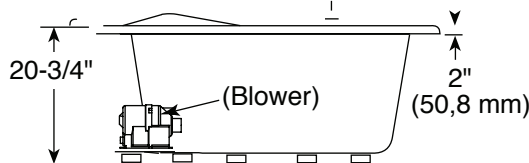


Product Shown: Capella 60" Pure Air II™ Bath Right Hand Shown Model: BE60

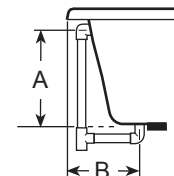
\* Measurements inside unit represent cutout in floor to allow for drain/overflow. Minimum Service Access dimensions given.



FRONT VIEW



SIDE VIEW



DRAIN/OVERFLOW