

Features

- Vitreous china.
- One-piece elongated bowl
- Integrated bidet with self-cleaning wand, precision air dryer and deodorizer.
- Sleek tankless design with skirted trapway.
- Personalized settings control heat seat, dryer and water temperature.
- Intuitive touch screen remote.
- Water-conserving flush utilizing Power Lite technology.
- Motion-activated hands free opening and closing.
- LED light illuminates bowl.

Components

Additional included component/s: Seat, supply line, power cord, and LCD remote control.



Codes/Standards

ASME A112.19.2/CSA B45.1
ASME A112.4.2
DOE - Energy Policy Act 1992
EPA WaterSense®
California Energy Commission (CEC)
UL 1951
CSA C22.2 No. 14
CSA C22.2 No. 68

KOHLER® NUMI Toilet - Limited Warranty

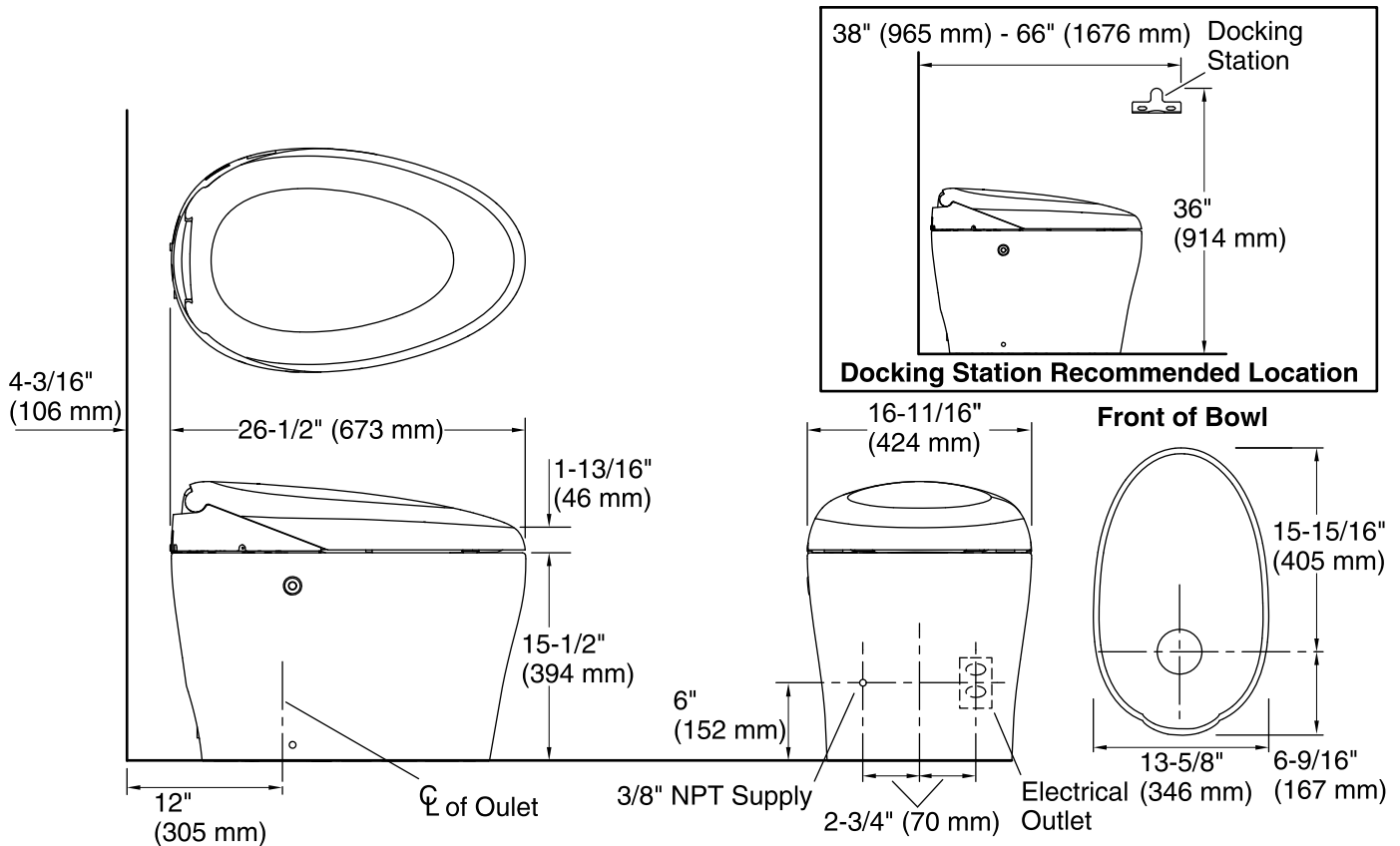
See website for detailed warranty information.

Available Color/Finishes

Color tiles intended for reference only.

Color	Code	Description
-------	------	-------------

	0	White
--	---	-------



Required Electrical Service

One dedicated circuit required, protected with Class A Ground-Fault Circuit-Interrupter (GFCI) or Residual Current Device (RCD).

120 V, 15 A, 60 Hz

Technical Information

All product dimensions are nominal.

Toilet type:	One-piece, Floor-mount
Bowl shape:	Elongated front
Trap passageway:	2-7/8" (73 mm)
Water Consumption	
Full:	1.28 gpf (4.8 lpf)
Water surface size:	12" x 9-1/2" (305 mm x 241 mm)
Rim to water surface:	4-7/8" (124 mm)
Rough-in:	12" (305 mm)
Seat-mounting holes:	5-1/2" (140 mm)

Fixture Supply Requirements

Min static pressure: 20 psi (137.9 kPa)

Notes

Install this product according to the installation instructions.

This product is designed for installation with the electrical and water supplies located through either the wall or the floor.

If the rough-in distance is less than 12" (305 mm) the seat may strike the wall when it is opened. Confirm the rough-in is 12" (305 mm) before installing the toilet.