

### Features

- Faceplate with lever handle.
- Single handle controls both on/off activation and temperature settings.
- Coordinates with Tempered™ faucets, accessories, and showering components to complete your bathroom.

### Material

- KOHLER finishes resist corrosion and tarnishing.

### Installation

- Trim only; requires valve to complete installation (sold separately).



### Required Products/Accessories

- K-8304-K Valve Body & Cartridge Kit Complete
- or
- K-8304-KS Valve Body & Cartridge Kit Complete
- or
- K-8304-PS Valve Body & Cartridge Kit Complete
- or
- K-8304-PX Valve Body & Cartridge Kit Complete
- or
- K-8304-US Valve Body & Cartridge Kit Complete
- or
- K-8304-UX Valve Body & Cartridge Kit Complete
- or
- K-P8304-K Valve body and cartridge kit complete
- or
- K-P8304-KS Valve Body & Cartridge Kit Complete
- or
- K-P8304-SWX Valve Body & Cartridge Kit Complete
- or
- K-8300-K Valve Body Rough-In  
K-8305 Pressure Balance Cartridge
- or
- K-8300-KS Valve Body Rough-In  
K-8305 Pressure Balance Cartridge
- or
- K-8300-PX Valve Body Rough-In  
K-8305 Pressure Balance Cartridge
- or
- K-8300-PS Valve Body Rough-In  
K-8305 Pressure Balance Cartridge
- or
- K-P8300-K Valve Body Rough-In  
K-P8305 Pressure Balance Cartridge
- or
- K-P8300-KS Valve Body Rough-In  
K-P8305 Pressure Balance Cartridge
- or
- K-P8300-SWX Valve Body Rough-In

**ADA** **CSA B651** **OBC**

### Codes/Standards

ASME A112.18.1/CSA B125.1  
ADA  
ICC/ANSI A117.1  
CSA B651  
OBC

### KOHLER® Faucet Lifetime Limited Warranty

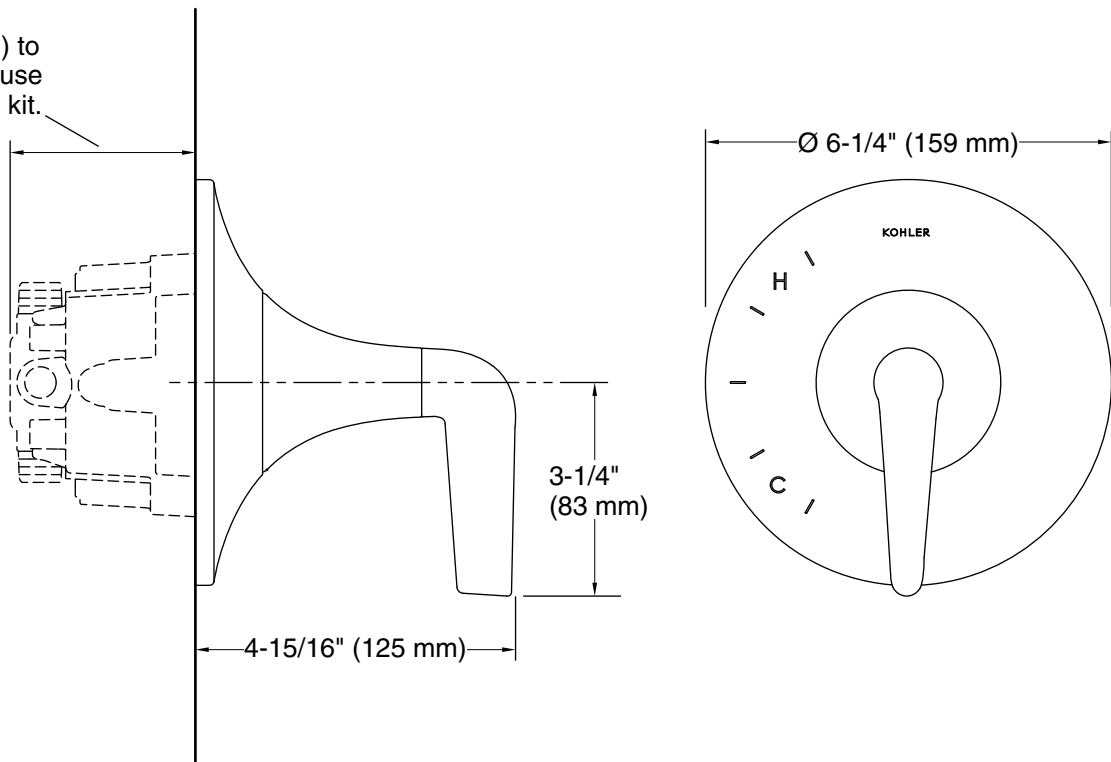
See website for detailed warranty information.

### Available Colors/Finishes

*Color tiles intended for reference only.*

Color	Code	Description
	CP	Polished Chrome
	SN	Vibrant® Polished Nickel
	BN	Vibrant® Brushed Nickel
	BL	Matte Black

\*If 3-5/8" (92 mm) to  
4-3/8" (111 mm) use  
deep roughing-in kit.



### Technical Information

All product dimensions are nominal.

Drain included: Yes

### Notes

Install this product according to the installation instructions.

Install straight pipe or tube drop of 7" (178 mm) to 18" (457 mm) with single elbow between the valve and the wall-mount spout.

ADA, OBC, CSA B651 compliant when installed to the specific requirements of these regulations.

ADA, OBC, CSA B651 compliant when installed to the specific requirements of these regulations.