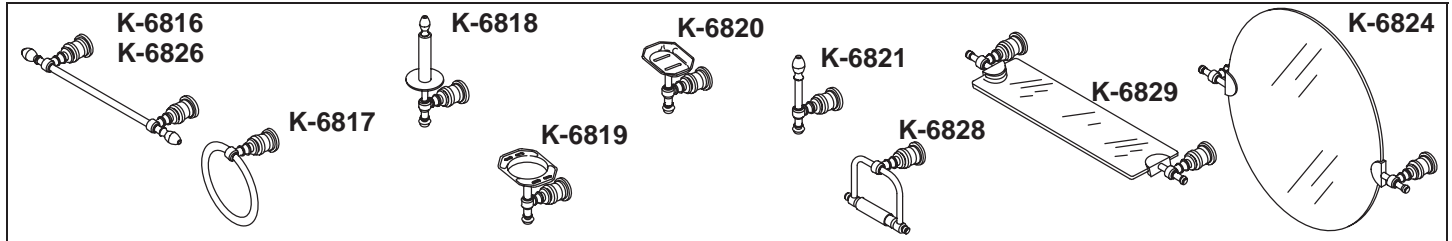


INSTALLATION INSTRUCTIONS



NOTES

- These products are not designed or intended for use as a grab bar or support bar. Do not install products in any critical support area (see ASTM F446).
- To avoid product damage, do not force accessories into alignment. For single-post accessories, test alignment with stem bonnet installed before fully tightening wall bracket screws.

ORDERING INFORMATION

18" Towel Bar	K-6816
Towel Ring	K-6817
Vertical Toilet Tissue Holder	K-6818
Tumbler and Toothbrush Holder	K-6819
Soap Dish	K-6820
Robe Hook	K-6821
Brass Mirror	K-6824
24" Towel Bar	K-6826
Horizontal Toilet Tissue Holder	K-6828
Glass Shelf	K-6829

INSTALLATION

For single post accessories: Determine desired location for accessory on finished wall and mark accessory post center point.

For two post accessories: Use a level to ensure two-post center-to-center points are horizontal. Determine desired location for accessory on finished wall. Mark center points for both accessory posts.

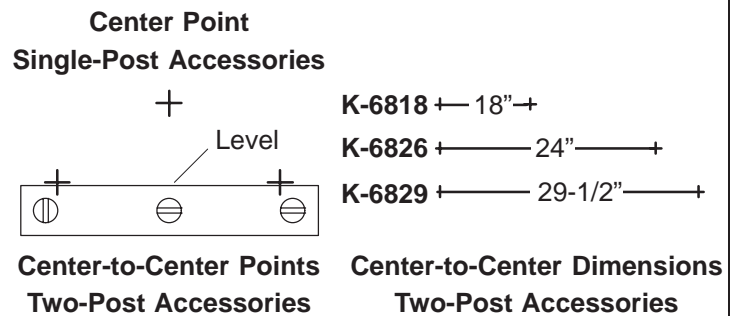
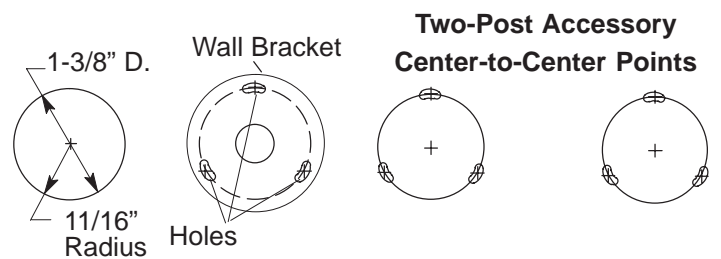


Fig. #1

Draw a 1-3/8" dia. circle (11/16" radius) around accessory post center point. Position wall bracket over circle and mark three mounting hole locations. Remove wall bracket. Drill 5/16" hole at each wall bracket hole location.



Wall Bracket Hole Locations
Fig. #2

Drill 1/8" pilot hole at each toggle anchor marked location. If wall stud is drilled, use screw and washer in place of toggle anchor for mounting. For installation of toggle anchor, drill 1/2" hole. Insert toggle anchor into 1/2" hole. Pull ring and push cap to wall. Snap off straps. Partially thread hex head bolt with flat washer into toggle anchor.

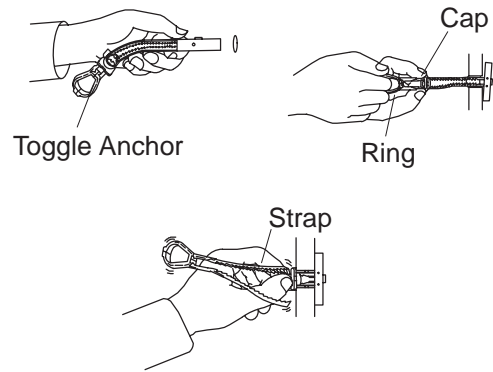


Fig. #3

Install wall bracket(s) with screws provided.

For single-post accessories except towel ring, tighten screws, then loosen 1/4 turn to allow for adjustment. Remove end cap packed with center post skirt. Temporarily place center post skirt onto wall bracket so hex slots in bonnet are vertical for single-post accessories or horizontal for two-post accessories. Splines in center post skirt must align with splines on wall bracket. Rotate wall bracket slightly if necessary, then gently remove center post skirt and tighten screws.

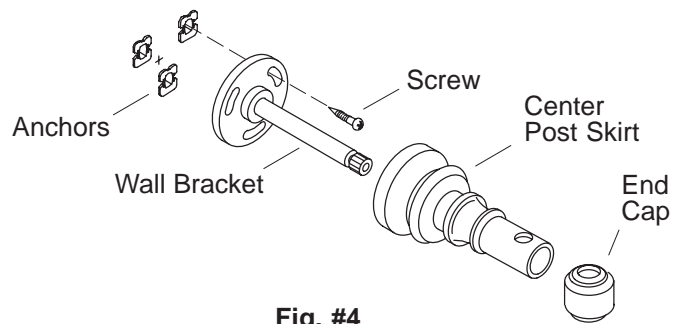


Fig. #4

For two-post accessories or towel ring, the wall bracket may be tightened in any position. Fully tighten screws.

Place escutcheon and sleeve over wall bracket. Place end cap into center post skirt. Place center post skirt onto wall bracket so hex slots in center post skirt are vertical for single-post accessories or horizontal for two-post accessories. Splines in center post skirt must align with splines on wall bracket. Repeat procedure as mentioned previously if necessary. Secure with screw. Align end cap over center post skirt.

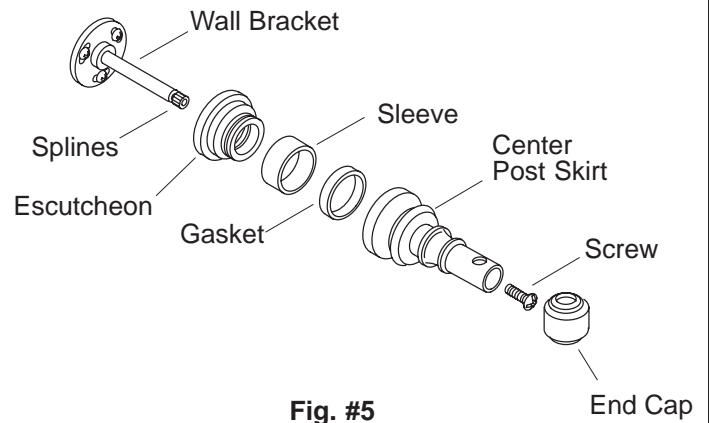


Fig. #5

For single post accessories except towel ring, place long sleeve onto rod and place rod through center post. Place short sleeve over lower end of rod. Thread end cap with washer onto the rod.

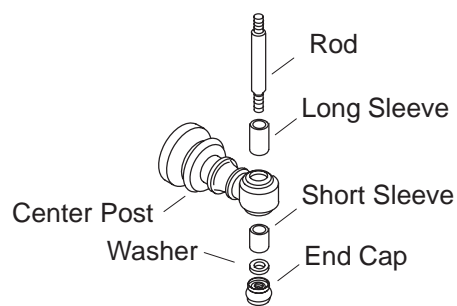


Fig. #6

For K-6821, sleeve must be placed on rod before inserting rod through center post skirt.

For K-6819 or K-6820, screw soap dish or tumbler/ toothbrush holder over rod and long sleeve.

For K-6818, place tissue holder over rod and long sleeve. Secure with end cap.

For K-6817, place pin into hex slot in center post skirt. Carefully spread the towel ring apart and slip open ends of ring over pin. Use care when spreading towel ring to avoid scratching center cap.

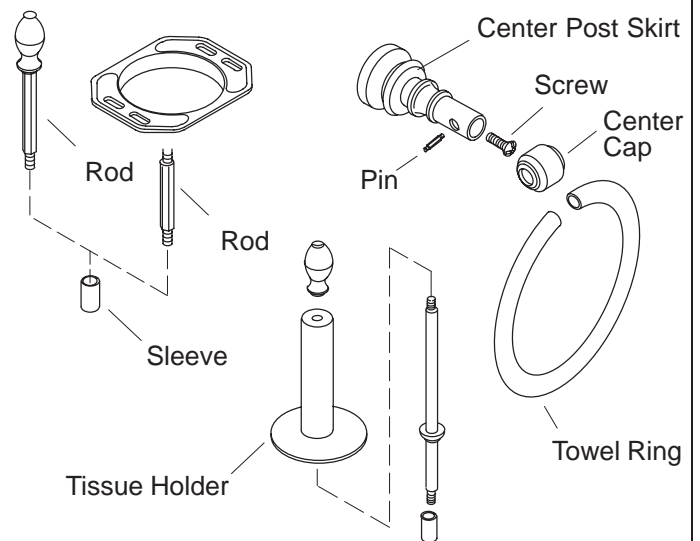


Fig. #7

For towel bars: Unscrew one of the knobs from the hex bar and remove one of the short sleeves and the long sleeve. Slide the hex bar with short sleeve through one of the center post skirts. Slide the long sleeve over the hex bar, then slide hex bar through other center post skirt. If center post skirts do not align, repeat procedures in steps 4 and 5 as necessary. Be sure that sleeves fit into recesses in caps. Slide the remaining short sleeve onto the end of the hex bar and attach the knob.

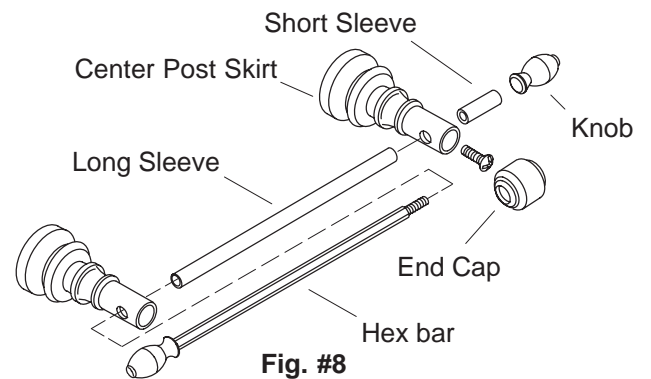


Fig. #8

For K-6829. Orient holes in center post skirt. Secure with mounting screw. Place bearing in center post skirt and replace center cap over center post skirt so holes align. Slide support bar into bearing. Place sleeve over bracket extension. Screw bracket onto support bar. Place sleeve over opposite end of support bar. Screw end cap with washer onto support bar.

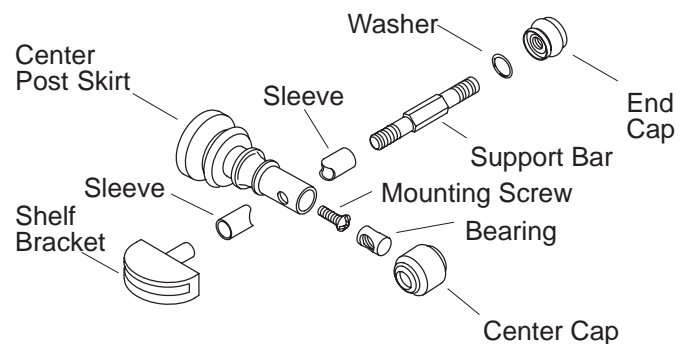


Fig. #9

Start set screws into brackets of bracket assembly. Check that screws do not protrude into recesses for the shelf. Wet ends of the shelf with mild soap solution. Carefully slide shelf into position in brackets; adjust bracket assembly alignment as necessary. Tighten set screws to secure bracket assemblies to wall plates.

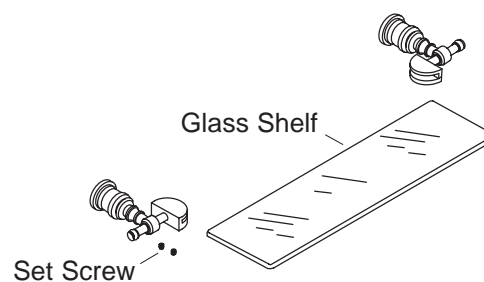


Fig. #10

For K-6824. Determine desired location for mirror on finished wall. Mark center points for one post. Draw a 1-3/8" dia. circle (11/16" radius) around post center point. Position wall bracket over circle and mark three mounting hole locations. Remove wall bracket. Drill 5/16" hole at each wall bracket hole location. See figure #3 for toggle anchor installation. Install wall bracket with screws provided.

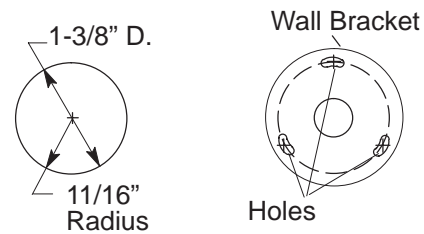


Fig. #11

Place mirror face down on a flat, padded surface. Insert a center post skirt over each mirror stud, along with the bearing, sleeve, center cap and secure loosely with the support bar. Align posts to the same plane for proper mirror angle.

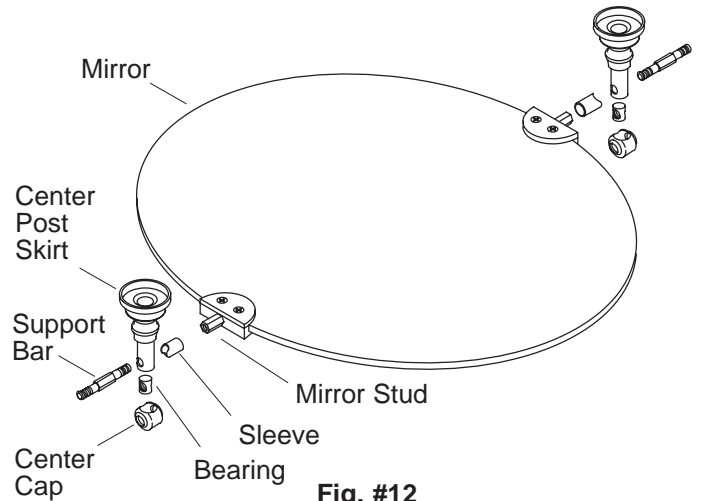


Fig. #12

Measure the distance between the center-lines of the two posts. Install the second wall bracket to this dimension. Once the second bracket installed, remove the center post skirt from the mirror.

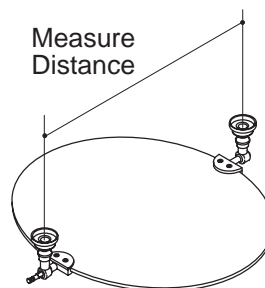


Fig. #13

Have a helper hold the mirror assembly in place. Then place escutcheon, sleeve and gasket over wall bracket. Orient holes in center post skirt. Secure with mounting screw. Place bearing in center post skirt and replace center cap over center post skirt so holes align. Slide support bar into bearing. Place sleeve over bracket extension. Screw bracket onto support bar. Place sleeve over opposite end of support bar. Screw end cap with washer onto support bar.

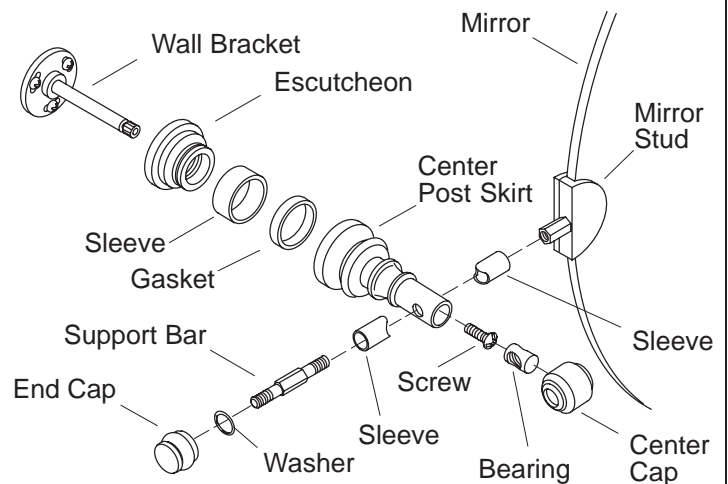


Fig. #14