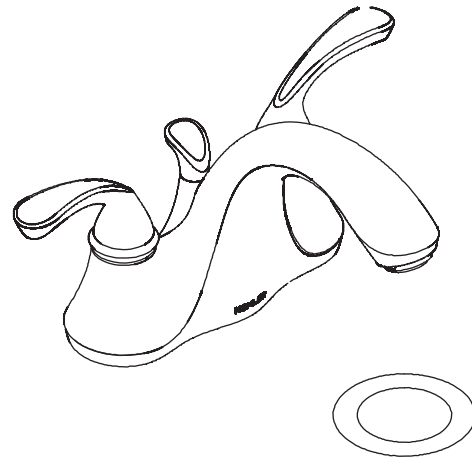


**CENTERSET LAVATORY FAUCET
K-10270
ALSO K-10271**

ADA

Features

- Metal construction
- Brass valve bodies
- Reversible quarter-turn washerless ceramic disc valves
- 2.2 gallons (8.3 L) per minute
- Lower flow aerator options are available (refer to the Kohler Price Book)
- Pop-up drain with tailpiece
- Lever handles
- Flexible connections for easy installation
- For 4" (10.2 cm) centers
- 5-1/8" (13 cm) spout



Codes/Standards Applicable




Specified model meets or exceeds the following:

- ASME A112.18.1
- CSA B125
- IAPMO/UPC
- NSF 61
- Energy Policy Act of 1992 (EPACT)
- ADA

Colors/Finishes

- CP: Polished Chrome
- Other: Refer to Price Book for additional colors/finishes

Specified Model:

Model	Description	ADA		ADA		ADA	
			<input type="checkbox"/> CP <input type="checkbox"/> Other ____		<input type="checkbox"/> CP <input type="checkbox"/> Other ____		<input type="checkbox"/> CP <input type="checkbox"/> Other ____
K-10270-4	Lavatory faucet with sculpted lever handle and metal drain	<input type="checkbox"/> CP	<input type="checkbox"/> Other ____				
K-10270-4A	Lavatory faucet with traditional lever handle and metal drain			<input type="checkbox"/> CP	<input type="checkbox"/> Other ____		
K-10270-4G	Lavatory faucet with script lever handle and metal drain					<input type="checkbox"/> CP	<input type="checkbox"/> Other ____
K-10271-4	Lavatory faucet with sculpted lever handle and plastic drain	<input type="checkbox"/> CP	<input type="checkbox"/> Other ____				
K-10271-4A	Lavatory faucet with traditional lever handle and plastic drain			<input type="checkbox"/> CP	<input type="checkbox"/> Other ____		

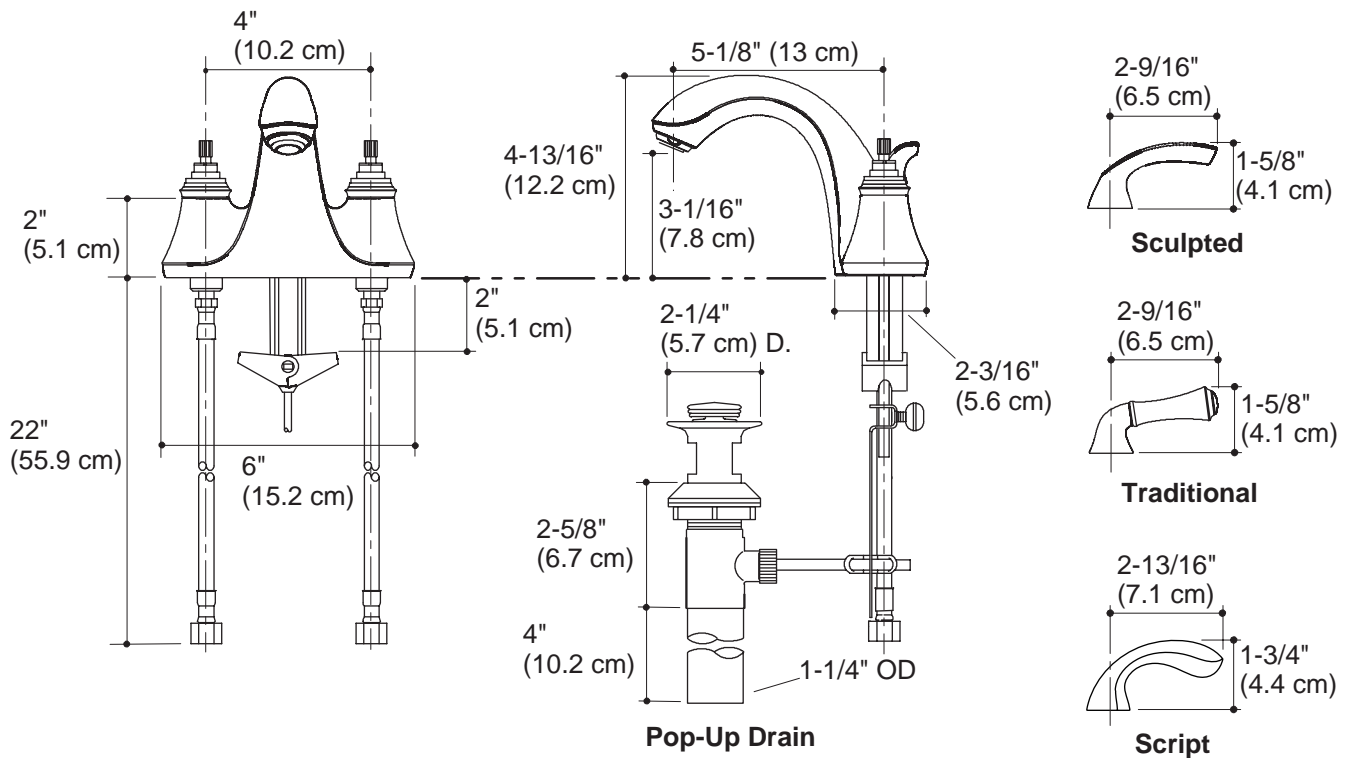
Product Specification

Two-handle centerset lavatory faucet shall be of metal construction. Faucet shall feature brass valve bodies. Faucet shall feature reversible quarter-turn washerless ceramic disc valves, assuring positive handle stop positioning. Product shall have lower flow aerator options. Product shall include 4" (10.2 cm) centers, 5-1/8" (13 cm) spout, pop-up drain with lift rod and tailpiece, and lever handles. Faucet shall be Kohler Model K-_____-_____.

FORTÉ®

Installation Notes

Install this product according to the installation guide.



Product Diagram