

### WALL-MOUNT FAUCET K-10087



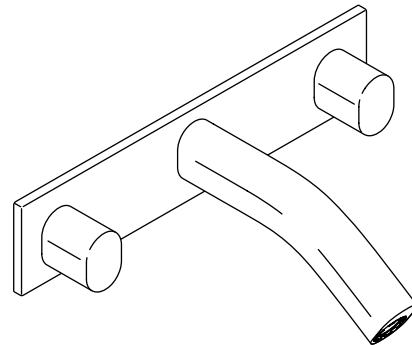
#### Features

- Brass construction
- Dual control wall-mounted
- 1.5 gpm (5.7 lpm) maximum flow rate
- Includes valve
- Oval handles

#### Codes/Standards Applicable

Specified model meets or exceeds the following:






- ASME 112.18.1/CSA B125
- NSF 61
- Energy Policy Act of 1992
- EPA WaterSense®



#### Colors/Finishes

- CP: Polished Chrome
- Other: Refer to Price Book for additional colors/finishes

#### Specified Model

Model	Description				
K-10087-9	Wall-mount faucet	<input type="checkbox"/> CP	<input type="checkbox"/> Other ____		
Optional Accessories					
K-7702	Pop-up lavatory drain	<input type="checkbox"/> CP			
K-7710	Lavatory drain		<input type="checkbox"/> CP		
K-7715	Lavatory drain			<input type="checkbox"/> CP	
K-8801	Duostrainer® sink strainer				<input type="checkbox"/> CP <input type="checkbox"/> Other ____

#### Product Specification

Dual-control wall-mount faucet shall be of brass construction. Faucet shall have a 1.5 gpm (5.7 lpm) maximum flow rate. Faucet shall include valve and oval handles. Faucet shall be Kohler Model K-10087-\_\_\_\_\_.

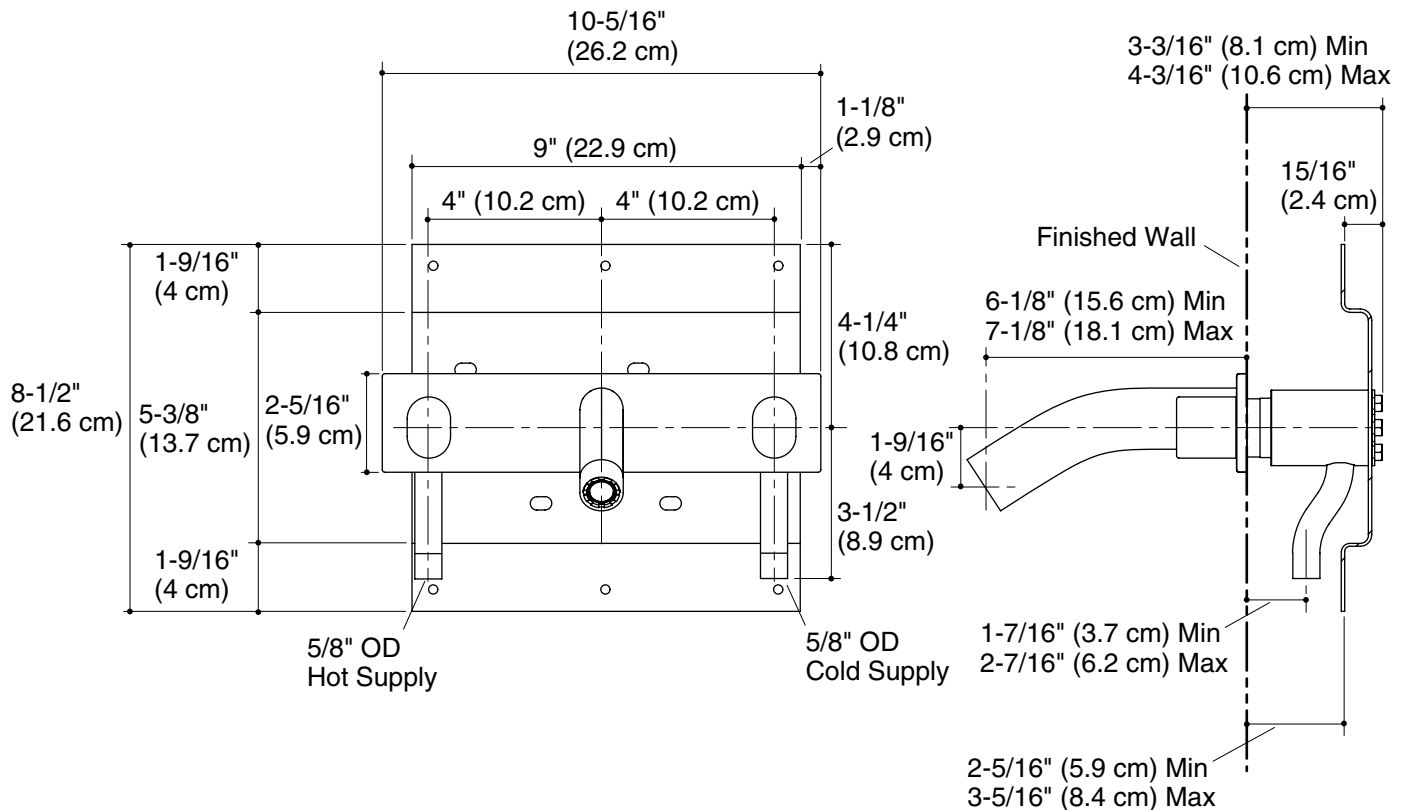
## Installation Notes

Install this product according to the installation guide.

1-1/2" (3.8 cm) minimum must be maintained between bottom of spout and top of the fixture rim.

Three 1-1/8" (2.9 cm) D. cut-out holes required for spout and handles.

Spout location shall be installed to conform to all local plumbing codes and national consensus standards for minimum air-gap requirements.



## Product Diagram