

**KITCHEN SINK FAUCET
K-10445**

ADA

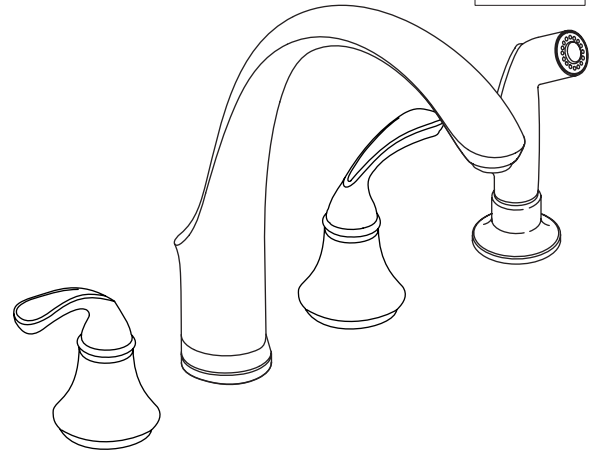
Features

- Metal construction
- Flexible connections for easy installation
- Lower flow aerator options are available (refer to the Kohler Price Book)
- 2.2 gallons (8.3 L) per minute maximum flow rate
- ADA compliant sculpted lever handles
- 7-3/4" (19.7 cm) swing spout reach

Codes/Standards Applicable

Specified model meets or exceeds the following:

- ADA
- ASME A112.18.1/CSA B125.1
- IAPMO/cUPC
- NSF 61
- Energy Policy Act of 1992



Colors/Finishes

- CP: Polished Chrome
- Other: Refer to Price Book for additional colors/finishes

Accessories:

- CP: Polished Chrome
- Other: Refer to Price Book for additional colors/finishes

Specified Model:

Model	Description	Colors/Finishes	
K-10445	Kitchen sink faucet with matching finish sidespray	<input type="checkbox"/> CP	<input type="checkbox"/> Other ____

Recommended Accessories			
K-1893	Soap/lotion dispenser	<input type="checkbox"/> CP	<input type="checkbox"/> Other ____
K-8801	Duostrainer® sink strainer with tailpiece	<input type="checkbox"/> CP	<input type="checkbox"/> Other ____

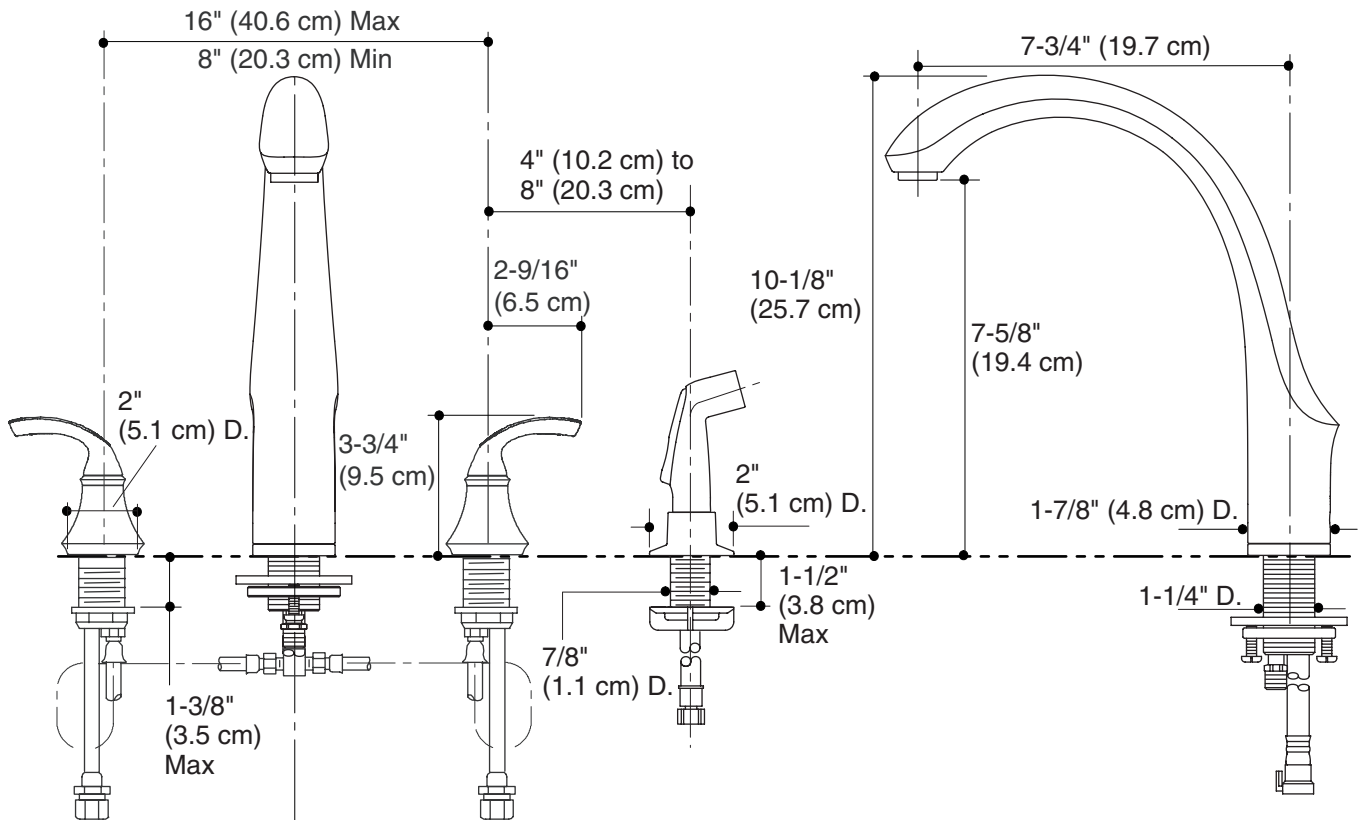
Product Specification

Two-handle kitchen sink faucet with matching finish sidespray shall be of metal construction. Product shall include ADA compliant sculpted lever handles, 7-3/4" (19.7 cm) swing spout reach, and flexible connections for easy installation. Product shall have a 2.2 gallon (8.3 L) per minute flow rate with lower flow aerator options available (refer to the Kohler Price Book). Kitchen faucet shall be Kohler Model K-10445-_____.

FORTE®

Installation Notes

Install this product according to the installation guide.



Product Diagram