

Features

- Metal construction
- Ceramic or metal lever handles
- 5-3/4" (14.6 cm) diverter bath spout with NPT or slip-fit connection
- Intended for use with Rite-Temp or HiFlow Rite-Temp valves
- Complements Bancroft™ Suite

**BATH AND SHOWER FAUCET TRIM
K-T10581
ALSO K-T10582, K-T10583, K-T10584**

ADA

Codes/Standards Applicable

Specified model meets or exceeds the following:

- ASME A112.18.1
- CSA B125
- IAPMO/UPC



Colors/Finishes

- CP: Polished Chrome
- Other: Refer to Price Book for additional colors/finishes

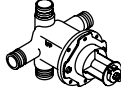
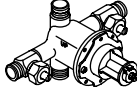
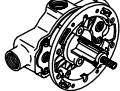
Specified Model

Model	Description	Colors/Finishes	
		<input type="checkbox"/> CP	<input type="checkbox"/> Other _____
K-T10581-4	Bath and shower trim, metal lever handle, NPT spout (shown)	<input type="checkbox"/> CP	<input type="checkbox"/> Other _____
K-T10581-4P	Bath and shower trim, ceramic lever handle, NPT spout	<input type="checkbox"/> CP	<input type="checkbox"/> Other _____
K-T10582-4	Bath and shower trim, metal lever handle, slip-fit spout	<input type="checkbox"/> CP	<input type="checkbox"/> Other _____
K-T10582-4P	Bath and shower trim, ceramic lever handle, slip-fit spout	<input type="checkbox"/> CP	<input type="checkbox"/> Other _____
K-T10583-4	Shower only trim, metal lever handle	<input type="checkbox"/> CP	<input type="checkbox"/> Other _____
K-T10583-4P	Shower only trim, ceramic lever handle	<input type="checkbox"/> CP	<input type="checkbox"/> Other _____
K-T10584-4	Valve only trim, metal lever handle	<input type="checkbox"/> CP	<input type="checkbox"/> Other _____
K-T10584-4P	Valve only trim, ceramic lever handle	<input type="checkbox"/> CP	<input type="checkbox"/> Other _____
Recommended Accessory			
K-10588	IPS diverter bath spout	<input type="checkbox"/> CP	<input type="checkbox"/> Other _____
K-10589	Slip-fit diverter bath spout	<input type="checkbox"/> CP	<input type="checkbox"/> Other _____

Product Specification

Rite-Temp pressure-balancing single-control bath and shower faucet trim shall be of brass construction. Bath and shower trim shall include showerhead with arm and flange, 5-3/4" (14.6 cm) diverter spout with NPT connection, and faceplate with handle. Shower only trim shall include showerhead with arm and flange, and faceplate with handle. Valve only trim shall include faceplate with handle. Faucet trim shall be K-T _____ - _____ - _____ and Rite-Temp valve shall be K-304- _____ -NA OR K-306-KS-NA HiFlow Rite-Temp valve.

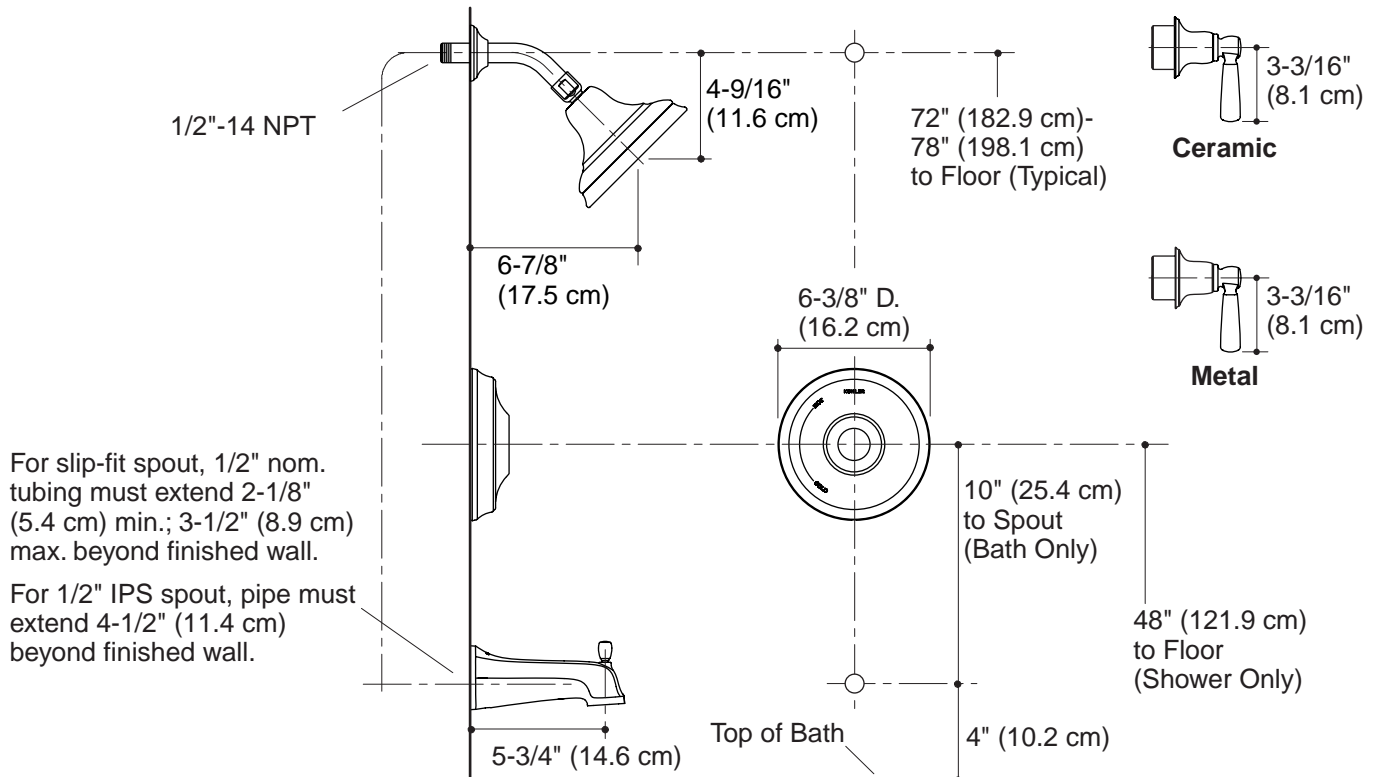
BANCROFT™

Required Accessory				
K-304-K	Rite-Temp valve without stops	<input type="checkbox"/> NA		
K-304-KS	Rite-Temp valve with stops		<input type="checkbox"/> NA	
K-306-KS	HiFlow Rite-Temp valve with integral stops			<input type="checkbox"/> NA
K-308-K	Non-pressure-balancing valve without stops	<input type="checkbox"/> NA		
K-308-KS	Non-pressure-balancing valve with stops		<input type="checkbox"/> NA	
Optional Accessory				
88526	HiFlow Rite-Temp thin wall installation kit	<input type="checkbox"/> CP	<input type="checkbox"/> Other _____	

Installation Notes

CAUTION: Risk of damage to the K-306-KS valve assembly. When using the K-306-KS valve in a fiberglass or acrylic installation, use the thin wall installation kit (88526).

Install this product according to the installation guide.
 Avoid cross-flow conditions. Do not install shut-off device on either valve outlet.
 Install straight pipe or tube drop of 7" (17.8 cm) to 18" (45.7 cm) with single elbow between valve and wall-mount spout.



Product Diagram