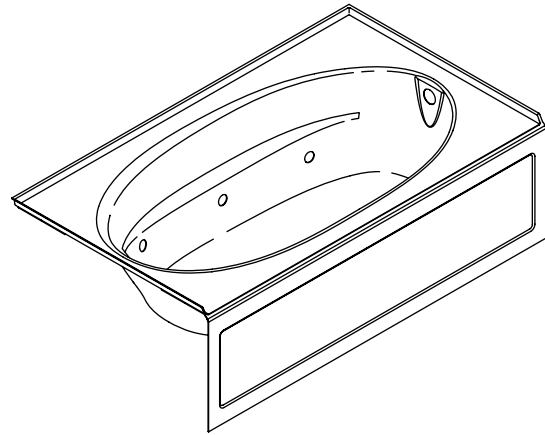


### Features

- Acrylic
- Rectangular shape
- Integral apron with removable access panel
- 1.25 hp pump with air switch and grounding-type plug-in cord
- 6 individually adjustable ProFlex® hydro-massage jets
- Molded lumbar supports and armrests

### BATH WHIRLPOOL WITH INTEGRAL APRON

**K-1114-LA**  
ALSO K-1114-RA



### Codes/Standards Applicable

Specified model meets or exceeds the following:

- IAPMO/UPC
- Underwriter's Laboratories (UL)
- ANSI Z124.1
- ASME A112.19.7M

### Colors/Finishes

- 0: White
- Other: Refer to Price Book for additional colors/finishes

### Accessories:

- CP: Polished Chrome
- Other: Refer to Price Book for additional colors/finishes

### Specified Model

| Model     | Description  | Colors/Finishes            |                                      |
|-----------|--|----------------------------|--------------------------------------|
| K-1114-LA | Bath whirlpool with integral apron, left drain (not shown) | <input type="checkbox"/> 0 | <input type="checkbox"/> Other _____ |
| K-1114-RA | Bath whirlpool with integral apron, right drain (shown)    | <input type="checkbox"/> 0 | <input type="checkbox"/> Other _____ |

| Recommended Accessory |                 |                             |                                      |
|-----------------------|-----------------|-----------------------------|--------------------------------------|
| K-11677               | Drain <b>OR</b> | <input type="checkbox"/> CP | <input type="checkbox"/> Other _____ |
| K-7166                | Drain           | <input type="checkbox"/> CP | <input type="checkbox"/> Other _____ |

| Optional Accessories |                               |                             |                                      |
|----------------------|-------------------------------|-----------------------------|--------------------------------------|
| K-9696               | Jet trim kit (metal finishes) | <input type="checkbox"/> CP | <input type="checkbox"/> Other _____ |

### Product Specification

The rectangular bath whirlpool shall be 72" (182.9 cm) in length, 42" (106.7 cm) in width, and 21" (53.3 cm) in height with an integral apron and removable access panel. Bath whirlpool shall be made of acrylic. Bath whirlpool shall have 6 individually adjustable Proflex hydro-massage jets and a 1.25 hp pump with air switch and grounding-type plug-in cord. Bath whirlpool shall have molded lumbar support and armrests. Bath whirlpool shall be Kohler Model K-1114-\_\_-\_\_.

# WINDWARD™

## Technical Information

| Fixture*:    | basin area                         | top area                      | weight          |
|--------------|------------------------------------|-------------------------------|-----------------|
| Bathing well | 55" (139.7 cm) x 23-1/4" (59.1 cm) | 64" 162.6 cm) x 32" (81.3 cm) | 132 lbs (60 kg) |
|              | water depth                        | capacity                      |                 |
| To overflow  | 15" (38.1 cm)                      | 78.5 gal (297 L)              |                 |

\* Approximate measurements for comparison only.

| Pump:                              | Hp   | V   | Hz       | A   |
|------------------------------------|------|-----|----------|-----|
| 1-speed                            | 1.25 | 120 | 60       | 7.5 |
| Minimum access panel pump/control: |      |     |          |     |
| 20" (50.8 cm) W x 15" (38.1 cm) H  |      |     | required |     |

## Required Electrical Service

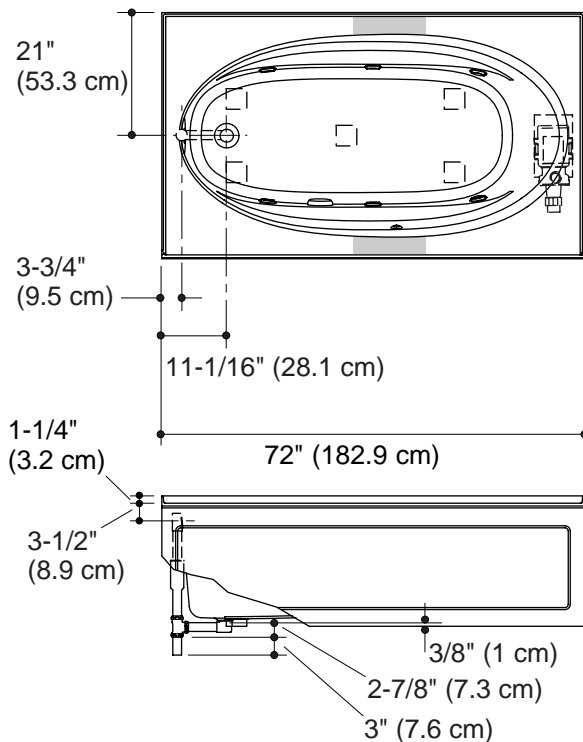
|   |                    |
|---|--------------------|
| Dedicated circuit required, protected with a Class A Ground-Fault Circuit-Interrupter (GFCI): |                    |
| Pump/control  | 120 V, 15 A, 60 Hz |
| Locate the outlet behind the whirlpool and within 24" (61 cm) of the pump.                    |                    |

## Installation Notes

Install this product according to the installation guide.

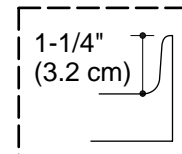
Floor support under the whirlpool must provide for a minimum of 80 lbs/square foot (390 kg/square meter) loading.

If installing a rim-mount faucet, make sure there is no interference with the drain overflow and circulating system before drilling any holes. Consult local and national codes for minimum air gap requirements if installing a spout on the faucet deck.

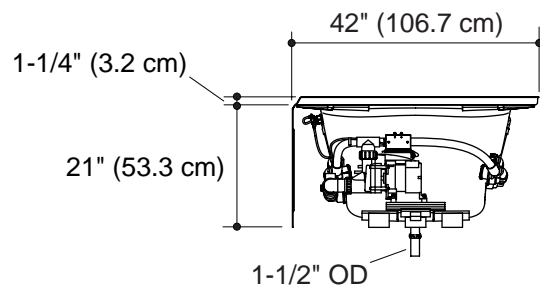


No change in measurements if connected with drain illustrated. (K-11677 or K-11677M)

Recommended faucet area



Tile Flange Detail



## Product Diagram