

Installation Guide

Drop-In Bath Whirlpool

K-1106, K-1112, K-1114,
K-1126, K-1131, K-1139,
K-1144, K-1146, K-1148,
K-1154, K-1157, K-1160,
K-1162, K-1164, K-1192,
K-1194, K-1201, K-1209,
K-1221, K-1224, K-1226,
K-1239, K-1244, K-1246,
K-1248, K-1257, K-1263,
K-1337

M product numbers are for Mexico (i.e. K-12345**M**)
Los números de productos seguidos de **M** corresponden a México
(Ej. K-12345**M**)
Français, page "Français-1"
Español, página "Español-1"

THE BOLD LOOK
OF **KOHLER**®

Important Information



WARNING: When using electrical products, basic precautions should always be followed, including the following:

Building materials and wiring should be routed away from the pump body and other heat-producing components of the unit.

Install to permit access for servicing.

Grounding is required. The unit should be installed by a qualified service representative, and grounded.



WARNING: Risk of electric shock. A qualified electrician should make all electrical connections.



WARNING: Risk of electric shock. Disconnect power before servicing.



WARNING: Risk of injury or property damage. Please read all instructions thoroughly before beginning installation, including the following requirements.

NOTICE: Follow all local plumbing and electrical codes.

Product Information

Electrical Requirements

The installation must have a Class A Ground-Fault Circuit-Interrupter (GFCI) or Residual Current Device (RCD). The GFCI or RCD protects against line-to-ground shock hazard. Use a 120 V, 15 A, 60 Hz dedicated service for the whirlpool.

"H" models require a separate 120 V, 15 A, 60 Hz dedicated service for the heater.

NOTE: If the pump supply cord is damaged, it must be replaced by the manufacturer, its service agent or similarly qualified persons in order to avoid a hazard. The heater supply cord cannot be replaced. If the cord is damaged the heater should be replaced.

Product Notices



WARNING: Unauthorized modification may cause unsafe operation and poor performance of the whirlpool. Do not relocate the whirlpool pump, or make other modifications to the whirlpool system, as this could adversely affect the performance and safe operation of the whirlpool. Kohler Co. shall not be liable under its warranty or otherwise for personal injury or damage caused by any such unauthorized modification.



WARNING: Risk of electrical shock. Disconnect power before servicing.



WARNING: Risk of electrical shock. A qualified electrician should make all electrical connections.



WARNING: Risk of injury or property damage. Please read all instructions thoroughly before beginning installation.

NOTICE: Follow all local plumbing and electrical codes.

Factory-Assembled Features

Factory installed components include pump with power supply cord and air switch transmitter. No installation is needed.

"H" models are also supplied with a factory assembled heater.

The whirlpool pump and piping are factory-assembled.

Connections and Service Access

Before installation, ensure proper access to the final connections.

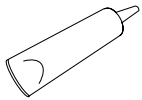
Product Information (cont.)

NOTICE: Provide unrestricted service access to the pump. You must provide access for servicing the pump and controls. The access must be located immediately next to the pump. Study the Roughing-In Guide packed with the whirlpool.

Table of Contents

Important Information	2
Product Information	2
Tools and Materials	3
Before You Begin	3
Prepare the Site	4
Prepare the Whirlpool	5
Secure the Unit — Models With Support Blocks	5
Secure the Whirlpool to the Stud Framing	7
Secure the Unit — Models With Whirlpool Base	8
Cut the Pump Banding Straps	10
Install the Plumbing	10
Install a Rim-Mounted Faucet	11
Make Electrical Connections	12
Test Run the Whirlpool	12
Complete the Finished Deck	13
Complete the Finished Wall	14
Clean-Up After Installation	14
Confirm Proper Operation	15
Troubleshooting	16

Tools and Materials



Silicone Sealant



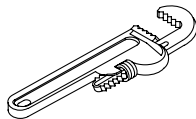
Tape Measure



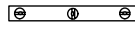
Pencil



Safety Glasses



Pipe Wrench



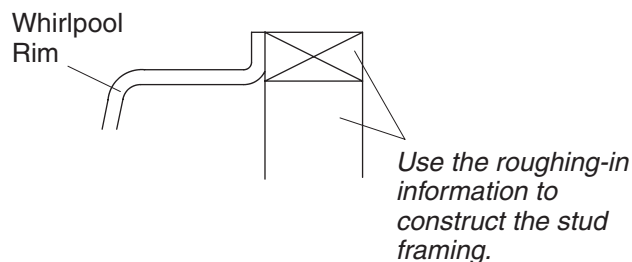
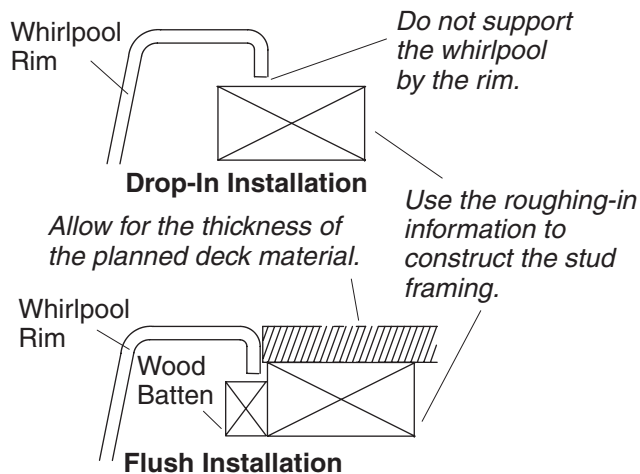
Level

Plus:

- Conventional woodworking tools and materials
- Drop Cloth
- Construction adhesive (optional)
- Cement or mortar (optional)
- 2x4s or 2x6s
- Screws or Lag Bolts

Before You Begin

- Inspect the whirlpool for damage before you begin installation.
- Confirm adequate mounting and connection space for the faucet specified for your installation.
- Kohler Co. reserves the right to make revisions in the design of products without notice, as specified in the Price Book.



1. Prepare the Site

NOTICE: Refer to the Roughing-in Guide packed with your whirlpool for the required minimum lb/square foot (kg/square meter) floor support loading.

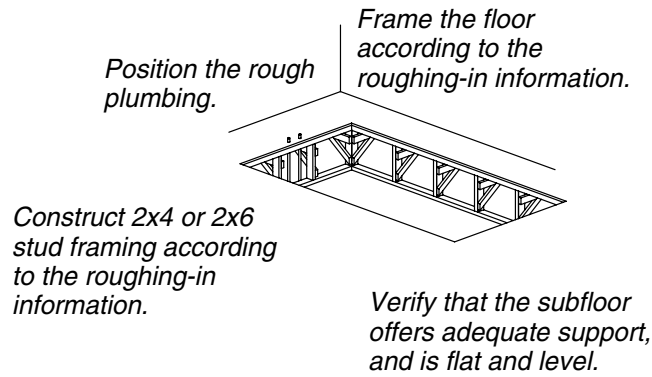
- Make sure the flooring offers adequate support for your whirlpool, and verify that the subfloor is flat and level.

NOTICE: The whirlpool should be installed in a drop-in, flush, or tiled ledge installation.

- Construct 2x4 or 2x6 stud framing designed for your particular installation.

NOTICE: The whirlpool must be supported by its feet or base. Do not support the load weight of the whirlpool by the perimeter of the rim.

- **For a raised installation:** Frame the floor or construct a frame in accordance with the roughing-in information packed with the whirlpool.
- Carefully lay out and cut the rough deck material. Use the cut-out template, if one is provided, or refer to the Roughing-In Guide for cutout information.
- Position the plumbing according to the roughing-in information packed. Cap the supplies, and check for leaks.



2. Prepare the Whirlpool

- Install the drain to the whirlpool according to the drain manufacturer's instructions. Do not connect the trap at this time.
- Position a clean drop cloth or similar material in the bottom of the whirlpool. Be careful not to scratch the surface of the whirlpool.

3. Secure the Unit — Models With Support Blocks

NOTICE: Do not lift the whirlpool by the piping or pump, or use the piping or pump for structural support of the whirlpool. To avoid damage to the whirlpool, lift at the sides of the whirlpool.

NOTICE: Do not support the load weight of the whirlpool by the perimeter of the rim. The rim perimeter must be adequately supported, but must not support the load weight of the whirlpool.

- If the subfloor is not level, shim the whirlpool support blocks as necessary.

Choose the installation option that best applies to your particular installation. Follow the appropriate instructions.

Option Using a Cement or Mortar Bed

NOTE: Do not use gypsum cement or drywall compound for this application, as they will not provide an acceptable, durable bond.

NOTE: The pump support bracket (when the pump banding straps are cut) and support blocks must rest directly on the subfloor.

- Spread a 2" (5.1 cm) thick layer of cement or mortar on the subfloor where the whirlpool will be set. This will help secure, level, and support the unit. Clear all the material away from the pump support bracket and support block locations.
- Position a piece of plastic drop cloth material on top of the cement or mortar bed. With help, carefully lift the whirlpool into place, and make sure the pump support bracket and support blocks do not rest in the bed material.
- Secure the drain tailpiece to the trap. Ensure the whirlpool is level and resting on all support blocks.
- Remove the protective tape from the rim. Apply a continuous bead of high-quality silicone sealant around the entire rim of the whirlpool.

Option Using Construction Adhesive

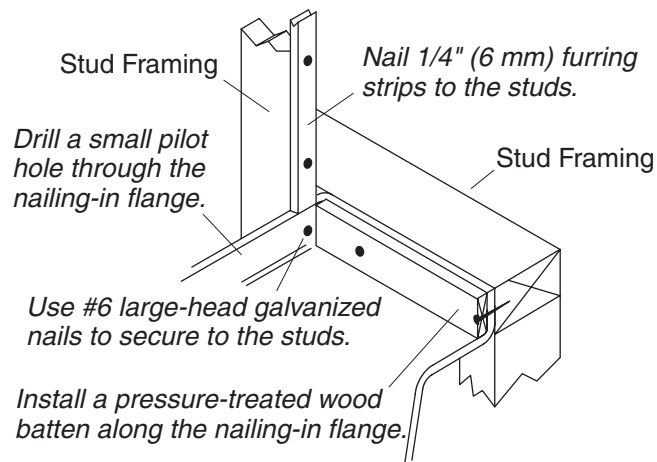
- Apply a generous amount of high-quality construction adhesive to the bottom of the support blocks. With help, carefully lift the whirlpool into position.

Secure the Unit — Models With Support Blocks (cont.)

- Insert the drain tailpiece into the trap. Ensure the whirlpool is level and resting on all support blocks.
- Remove the protective tape from the rim. Apply a continuous bead of high-quality silicone sealant around the entire rim of the whirlpool.

Option Using Silicone Sealant

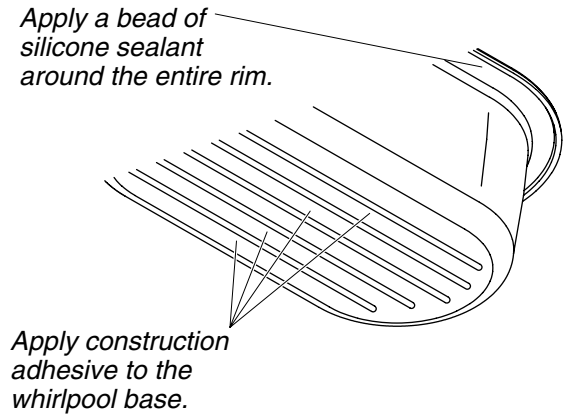
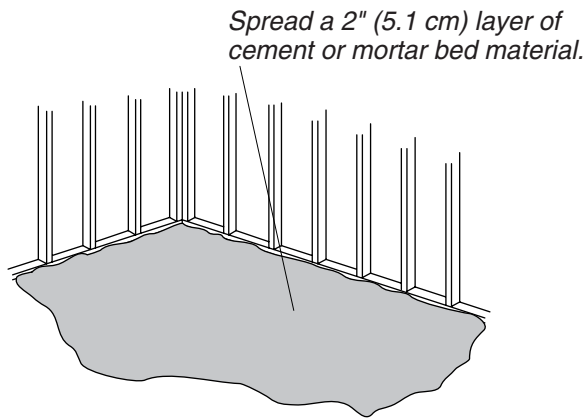
- With help, carefully lift the whirlpool into position.
- Insert the drain tailpiece into the trap. Ensure the whirlpool is level and resting on all support blocks.
- Remove the protective tape from the rim. Apply a continuous bead of high-quality silicone sealant around the entire rim of the whirlpool.



4. Secure the Whirlpool to the Stud Framing

Option for Integral Flange Models

- Drill a small pilot hole through the nailing-in flange at each stud. Add shims between the nailing-in flange and the studs as needed to eliminate gaps.
- Nail 1/4" (6 mm) thick furring strips to the studs to shim out to the edge of the nailing-in flange.
- Use #6 large-head galvanized nails to secure the nailing-in flange to the studs.
- For tile ledge installations, size and install a pressure-treated wood batten along the nailing-in flange. Pre-drill nail holes through the wood batten and nailing-in flange before securing with galvanized nails.



5. Secure the Unit — Models With Whirlpool Base

NOTICE: Do not lift the whirlpool by the piping or pump, or use the piping or pump for structural support of the whirlpool. To avoid damage to the whirlpool, lift at the sides of the whirlpool.

NOTICE: Do not support the load weight of the whirlpool by the perimeter of the rim. The rim perimeter must be adequately supported, but must not support the load weight of the whirlpool.

Choose the installation option that best applies to your particular installation. Follow the appropriate instructions.

- If the subfloor is not level, shim the whirlpool base as necessary.

Option Using a Cement or Mortar Bed

NOTE: Do not use gypsum cement or drywall compound for this application, as they will not provide an acceptable, durable bond.

- Spread a 2" (5.1 cm) thick layer of cement or mortar on the subfloor where the whirlpool will be set. This will help secure, level, and support the unit.
- Position a piece of plastic drop cloth material on top of the cement or mortar bed. With help, carefully lift the whirlpool into place.
- Insert the drain tailpiece into the trap. Make sure the whirlpool is level. Use screws or lag bolts (not provided) to secure the whirlpool base to the floor. Drill small pilot holes through the whirlpool base as needed.
- Remove the protective tape from the rim. Apply a continuous bead of high-quality silicone sealant around the entire rim of the whirlpool.

Option Using Construction Adhesive

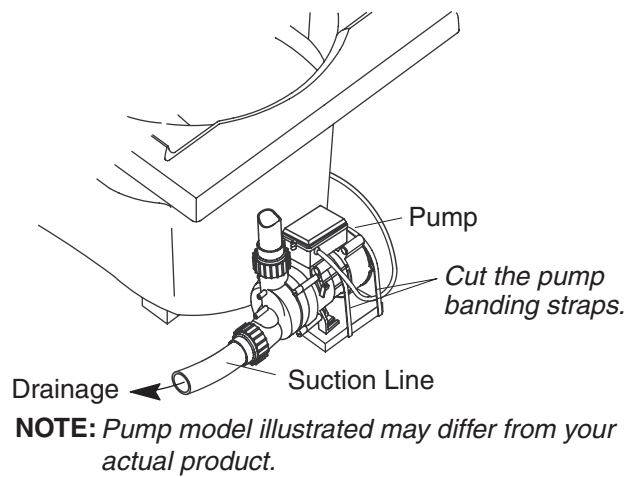
- Apply a generous amount of high-quality construction adhesive to the bottom of the whirlpool base. With help, carefully lift the whirlpool into position.
- Insert the drain tailpiece into the trap. Make sure the whirlpool is level. Use screws or lag bolts (not provided) to secure the whirlpool base to the floor. Drill small pilot holes through the whirlpool base as needed.
- Remove the protective tape from the rim. Apply a continuous bead of high-quality silicone sealant around the entire rim of the whirlpool.

Option Using Silicone Sealant

- With help, carefully lift the whirlpool into position.

Secure the Unit — Models With Whirlpool Base (cont.)

- Insert the drain tailpiece into the trap. Make sure the whirlpool is level. Use screws or lag bolts to secure the whirlpool base to the floor. Drill small pilot holes through the whirlpool base as needed.
- Remove the protective tape from the rim. Apply a continuous bead of high-quality silicone sealant around the entire rim of the whirlpool.



6. Cut the Pump Banding Straps

NOTE: If your pump model does not have banding straps, proceed to the next section.

IMPORTANT! This step is necessary to make your Kohler whirlpool operate more quietly.

NOTE: Do not raise the pump higher than it was before you cut the pump banding straps. If the pump is raised too high, it will not prime properly.

- Use tin snips to cut the two pump banding straps. When the banding straps are cut, the pump support bracket and pump will drop about 1/2" (1.3 cm) until they rest on the subfloor. If the pump drops more than 1/2" (1.3 cm), shim under the pump support bracket so there is a 1/2" (1.3 cm) gap between the pump and bracket to allow for proper drainage.
- To minimize whirlpool noise and vibration, be sure the pump is not in direct contact with the shipping bracket after the pump banding straps are cut.
- Secure the pump support bracket to the subfloor with screws or lag bolts (not provided).

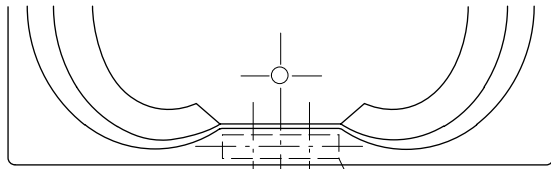
7. Install the Plumbing



CAUTION: Risk of property damage. A watertight seal must exist on the whirlpool drain. The watertight seal will prevent property damage.

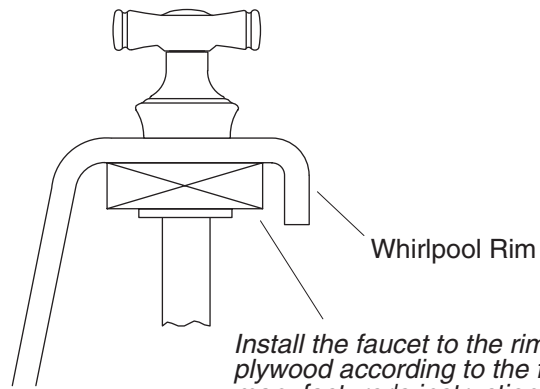
NOTICE: An access panel will simplify future maintenance.

- Install the faucet valving according to the faucet manufacturer's instructions. Do not install the faucet trim until instructed. Open the hot and cold water supplies, and check the supply connections for leakage.
- Run water into the whirlpool, and check the drain connections for leakage.



4" (10.2 cm)

Measure, cut, and drill a piece of 1/2" exterior grade plywood 4" (10.2 cm) x 11-1/2" (29.2 cm) for the K-1226.



Whirlpool Rim

Install the faucet to the rim and plywood according to the faucet manufacturer's instructions.

8. Install a Rim-Mounted Faucet

K-1226 Only

- Measure and cut a piece of 1/2" exterior grade plywood 4" (10.2 cm) x 11-1/2" (29.2 cm) for the K-1226.
- The faucet should be located in the center of the flat area of the rim. Refer to the faucet manufacturer's instructions. Use a pencil to mark the faucet centerlines for drilling.

NOTE: The K-1226 will accept faucets with 4" (10.2 cm) centers.

NOTICE: Position a thin piece of cardboard on the finished surface of the whirlpool before clamping the plywood in place. Make sure the clamps do not make direct contact with the finished surface of the whirlpool. This will reduce the risk of damaging the surface of the whirlpool.

- Set a thin piece of cardboard on the finished surface of the whirlpool rim. Position the plywood on the bottom of the rim, and carefully clamp the plywood in place. Make sure the clamps are in contact with the cardboard, not the finished surface of the whirlpool.
- Carefully drill the faucet holes to the size required by the faucet manufacturer. Remove the clamps and cardboard.
- Install the faucet to the rim and plywood according to the faucet manufacturer's instructions.
- Open the hot and cold water supplies, and check the supply connections for leakage.
- Run water into the whirlpool, and check the drain connections for leakage.

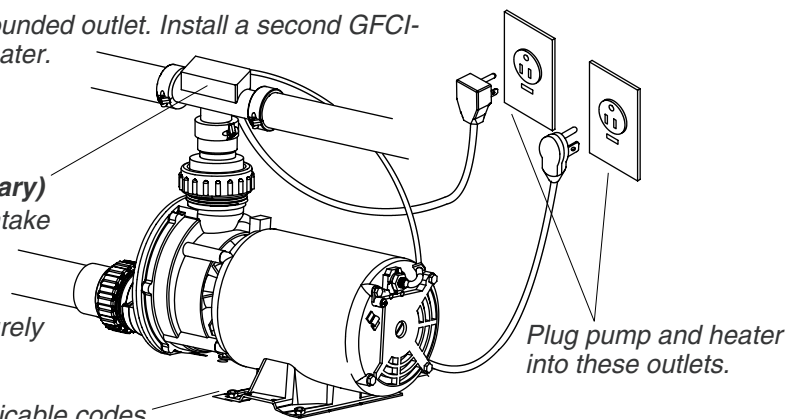
Install a GFCI- or RCD-protected 120 V, 15 A grounded outlet. Install a second GFCI- or RCD-protected outlet for "H" models for the heater.

Optional Heater (**models may vary**) either T-style (shown) or water intake (not shown).

Make sure air actuator tubing is securely attached to the pump.

Bond in accordance with applicable codes.

NOTE: Pump model illustrated may differ from your actual product.



9. Make Electrical Connections



WARNING: Risk of electric shock. Make sure the power has been disconnected before performing the following procedures.



WARNING: Risk of electric shock. Connect the pump and in-line heater (if included) to properly grounded, grounding-type receptacles protected by Ground-Fault Circuit-Interrupters (GFCI's) or Residual Current Devices (RCD's). Do not remove the grounding pins from the plug. Do not use grounding adapters.

NOTE: A label identifying the model number and electrical rating of the whirlpool is located near the whirlpool pump.

NOTICE: The pump (supplied) and heater (if supplied) are equipped with a cord and plug. All wiring for the heater has been completed at the factory. A qualified electrician must install a GFCI- or RCD-protected, 120 V, 15 A, grounded outlet. No other load should be on this circuit.

Pump Wiring

- Locate the outlet behind the whirlpool, and within 24" (61 cm) of the pump.
- Plug the pump into this outlet.

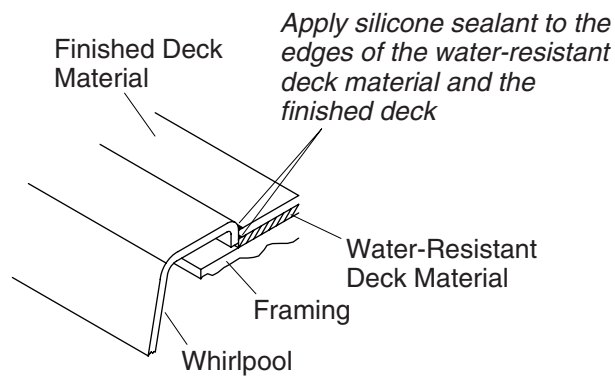
NOTE: Make sure the air actuator tubing is securely attached to the pump, and is not kinked or damaged.

Heater Wiring – "H" Models

- Locate the outlet behind the whirlpool, and within 24" (61 cm) of the heater.
- Plug the heater into this outlet.

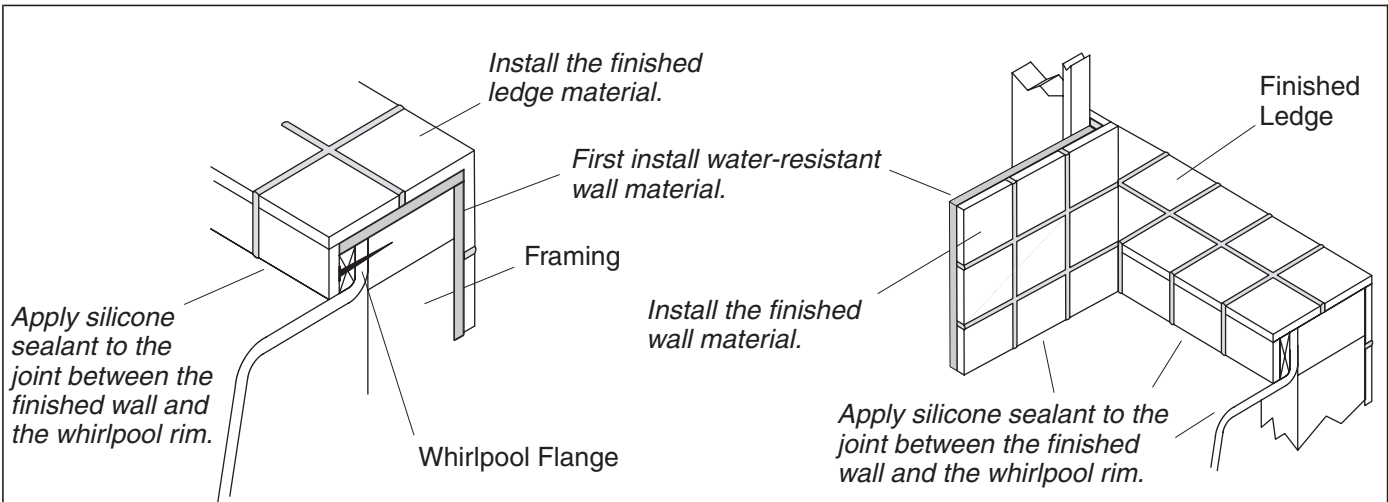
10. Test Run the Whirlpool

- Check all electrical connections, and make sure the electrical power to the whirlpool and heater (if equipped) is on.
- Make sure all union connections to the pump and heater are securely hand tightened.
- Verify that the pump banding straps have been cut (if applicable), and that the pump is resting directly on the subfloor or whirlpool base.
- Fill the whirlpool to a level at least 2" (5.1 cm) above the top of the highest jet. Refer to "Confirm Proper Operation" section for additional information.
- Operate the whirlpool for 5 minutes, and check all whirlpool piping connections for leaks.



11. Complete the Finished Deck

- If you have not already done so, carefully remove the protective tape from the whirlpool rim.
- Cover the framing with water-resistant deck material. Seal the joints between the whirlpool rim edge and the water-resistant deck material with silicone sealant.
- Tape and mud the water-resistant deck material. Install the finished deck to the water-resistant deck material. Seal the joints between the whirlpool rim and the finished deck material with silicone sealant.
- Install the faucet trim according to the trim manufacturer's instructions.



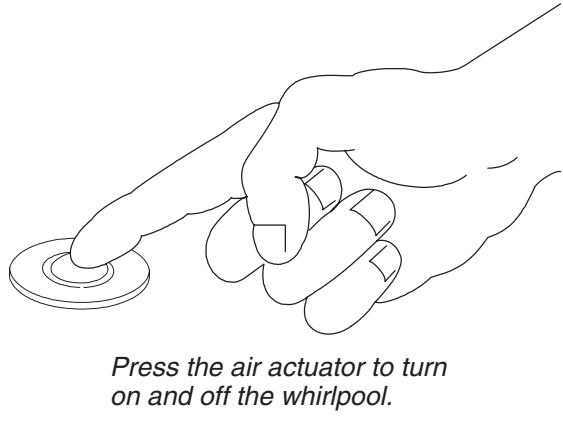
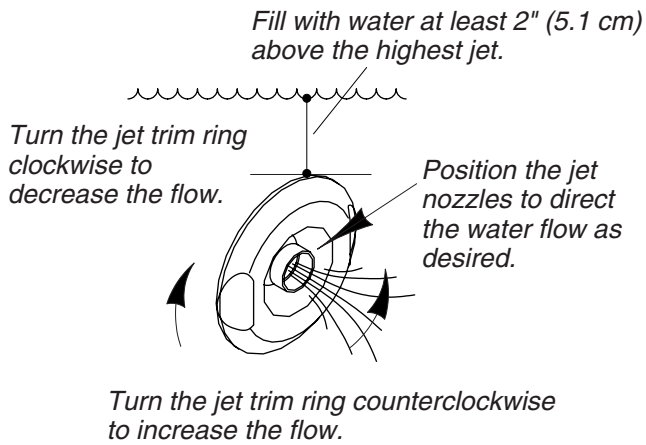
12. Complete the Finished Wall

Tiled Ledge Installation

- If you have not already done so, carefully remove the protective tape from the whirlpool rim.
- Cover the framing with water-resistant wall material.
- Tape and mud the water-resistant wall material. Install the finished wall to the water-resistant wall material.
- Seal the joints between the whirlpool rim and the finished wall material with silicone sealant.
- Install the faucet trim according to the instructions packed with the trim.

13. Clean-Up After Installation

- When cleaning up after installation, **do not use abrasive cleansers**, as they may scratch and dull the whirlpool surface. Use warm water and a liquid detergent to clean the surface.
- Remove stubborn stains, paint, or tar with turpentine or paint thinner. **Do not allow cleaners containing petroleum distillates to remain in contact with any whirlpool surfaces for long periods of time.** Remove plaster by carefully scraping with a wood edge. Do not use metal scrapers, wire brushes, or other metal tools. Use a powder-type detergent on a damp cloth to provide mild abrasive action to any residual plaster.



14. Confirm Proper Operation

Fill the Whirlpool

- Position the jet nozzles so they face down toward the basin. Turn the jet trim rings fully counterclockwise.
- Fill the whirlpool to a water level at least 2" (5.1 cm) above the top of the highest jet.

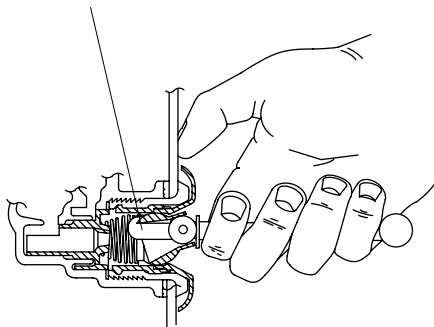
NOTE: The water temperature in the whirlpool should not exceed 104°F (40°C).

Operating Sequence

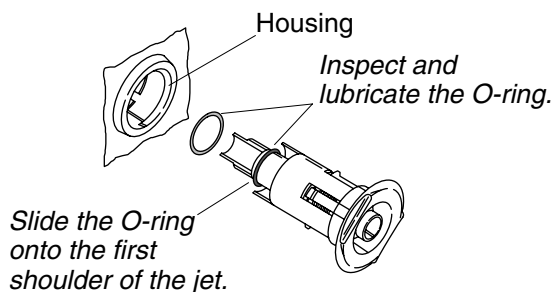
- Press the air actuator to turn on the whirlpool jets.
- Adjust each jet for optimum air/water mixture. Turn the trim ring clockwise to reduce the air flow, and counterclockwise to increase the air flow.
- If equipped with a heater, the heater will engage automatically when the pump is turned on and will disengage when the pump is turned off. The heater will not turn on if the water temperature exceeds 104°F (40°C).
- Press the air actuator a second time to turn off the whirlpool.

Remove the Jets

Insert the tool hook as shown and pull the jet out of the housing. The jet should be facing up when this is done.



Reinstall the Jets



Insert the jet into the housing, and lightly push and rotate until it snaps in position.

Troubleshooting

NOTICE: This section is for general aid only. A Kohler Authorized Service Representative or qualified electrician should correct any electrical problems. For warranty service, contact your dealer or wholesale distributor.

Remove the Jets

NOTE: A special tool is provided with the replacement jets that will allow you to remove the jets from the whirlpool. This tool is also supplied with each trim kit.

- Position the jet ball nozzle so it is pointing upward.

NOTE: The nozzle must remain pointed up or the tool will slip off.

- Insert the removal tool, hooked end up, into the opening of the jet and hook the inside top of the nozzle.
- Grasp the tool firmly and place your thumb against the whirlpool wall. Pull steadily on the tool until the jet assembly pulls free of the hole. Be careful not to lose the O-ring.

Reinstall the Jets

NOTE: To allow easy rotation and proper operation of the jet, the O-ring must be: (1) correctly positioned, (2) lubricated, and (3) in good condition.

- Install the O-ring onto the **first shoulder** of the jet.
- Using the silicone lube packet (provided), lubricate the O-ring to prevent noisy operation of the jet.
- Carefully insert the jet into the housing, then lightly push and rotate the jet until it snaps into position. **Do not force the jet.**
- Verify the jet is installed correctly. The jet should turn smoothly both clockwise and counterclockwise. Remove and reinstall, if necessary.

Troubleshooting (cont.)

Symptoms	Probable Causes	Recommended Action
1. Whirlpool will not start/stop.	<p>A. No power to pump.</p> <p>B. Remove the access panel and press the air switch, if you do not hear a "click," the air switch tubing is loose or disconnected.</p> <p>C. Air switch tubing is pinched or kinked.</p> <p>D. Push button assembly is damaged.</p> <p>E. Pump has power and a "click" is heard when the air switch is pressed. Pump is not operating.</p> <p>F. The receiver in the pump is not operating.</p>	<p>A. Verify pump is plugged in and the GFCI/RCD is not tripped. Verify the outlet has power using a multi-meter or by connecting a 110V item that you know is working (lamp, radio, etc.) into the outlet. Repair as needed.</p> <p>B. Check if the air switch tubing is connected at both the receiver/pump end and the air switch. Reconnect if needed.</p> <p>C. Adjust tubing to clear the pinched/kinked area. If the pinch/kink cannot be fixed, or no noticeable pinch/kink is apparent, puncture the tubing with a tack and try the system again.</p> <p>D. Replace the push button assembly.</p> <p>E. Replace the pump.</p> <p>F. Replace the receiver or pump.</p>
2. The system will start but will not stay ON.	A. The receiver in the pump is not operating.	A. Replace the receiver or pump.
3. Whirlpool stops automatically.	<p>A. Pump has overheated and the protection devices have activated.</p> <p>B. GFCI/RCD circuit has tripped.</p>	<p>A. Check for blockage at the motor vents. Check for suction blockage. Check for jet blockage. Remove any blockage and allow the motor to cool.</p> <p>B. Identify source fault and correct. Check that the GFCI/RCD has not been tripped. If problem persists, contact a qualified electrician.</p>
4. The motor starts but not all jets function.	<p>A. Jets are closed.</p> <p>B. Jets are blocked or trim ring rotation is impeded.</p> <p>C. Jets not installed correctly.</p> <p>D. Pump is not supported correctly and is cavitating.</p>	<p>A. Rotate the jet trim ring counterclockwise to open/increase flow to the jets.</p> <p>B. Glue may be obstructing the jet opening or preventing the jet trim ring from rotating. Remove the trim ring and remove excess glue.</p> <p>C. Reinstall the jet; check for any O-ring damage.</p> <p>D. Review the installation instructions and verify that the pump is at the appropriate height and that the pump banding straps (when applicable) have been cut.</p>
5. Noisy pump operation.	A. The pump banding straps have not been cut (models with support blocks only).	A. Using tin snips, cut pump banding straps.
6. Heater does not operate (units with heaters only).	<p>A. No power to heater or it is not connected to a separate outlet from the pump.</p> <p>B. The water temperature is above 104°F (40°C).</p>	<p>A. Verify that the heater is connected to a separate outlet from the pump and that the connection has power.</p> <p>B. As a safety precaution, the heater will not operate when the water temperature is above 104°F (40°C).</p>

Guide d'installation

Baignoire à hydromassage encastrée

Informations importantes



AVERTISSEMENT : Lors de l'utilisation des produits électriques, des précautions de base doivent toujours être observées, incluant ce qui suit :

Les matériaux de construction et le câblage devraient être acheminés loin du corps de la pompe et des autres composants qui dégagent de la chaleur de l'unité.

Installer de façon à permettre l'accès pour l'entretien.

Une mise à la terre est requise. L'unité doit être installée par un représentant qualifié, et mise à la terre.



AVERTISSEMENT : Risque d'électrocution. Un électricien qualifié devrait effectuer toutes les connexions électriques.



AVERTISSEMENT : Risque d'électrocution. Débrancher l'alimentation avant de procéder à l'entretien.



AVERTISSEMENT : Risque de blessures ou d'endommagement du matériel. Veuillez s'il vous plaît lire avec attention toutes les instructions avant de commencer l'installation, y compris les conditions suivantes:

AVIS : Respecter tous les codes de plomberie et électriques locaux.

Information sur le produit

Branchements électriques requis

L'installation électrique doit avoir un Disjoncteur de Fuite de Terre (GFCI) ou un appareil de courant résiduel (RCD) de classe A. Le GFCI ou le RCD protège contre une électrocution par la mise à la terre. Utiliser une alimentation de 120 V, 15 A, 60 Hz dédiée à la baignoire à hydromassage.

Les modèles « H » nécessitent une alimentation dédiée de 120 V, 15 A, 60 Hz pour le chauffe-eau.

REMARQUE : Si le câble d'alimentation de la pompe est endommagé, il doit être remplacé par le fabricant, son représentant ou autre personnel similaire qualifié pour éviter tout danger. Le cordon d'alimentation du chauffe-eau ne peut pas être remplacé. Si le cordon est endommagé, le chauffe-eau devrait être remplacé.

Notices du produit



AVERTISSEMENT : Des modifications non approuvées pourraient provoquer un fonctionnement dangereux ou un mauvais fonctionnement de la baignoire à hydromassage. Ne pas déplacer la pompe d'hydromassage ou effectuer d'autres modifications au système d'hydromassage car cela pourrait affecter les performances et la sécurité de la baignoire à hydromassage. Kohler Co. décline toute responsabilité sous ses garanties quant à toutes blessures ou dommages causés par des modifications non autorisées.



AVERTISSEMENT : Risque d'électrocution. Débrancher l'alimentation avant de procéder à l'entretien.



AVERTISSEMENT : Risque d'électrocution. Un électricien qualifié devrait effectuer toutes les connexions électriques.

Information sur le produit (cont.)



AVERTISSEMENT : Risque de blessures ou d'endommagement du matériel. Veuillez lire toutes les instructions avant de commencer l'installation.

AVIS : Respecter tous les codes de plomberie et électriques locaux.

Pièces assemblées en usine

Les composants installés en usine comprennent la pompe avec câble d'alimentation électrique et l'interrupteur d'air. Aucune installation n'est nécessaire.

Les modèles « H » sont aussi fournis avec un chauffe-eau assemblé en usine.

La pompe et la tuyauterie de la baignoire à hydromassage ont été assemblées en usine.

Connexions et accès pour l'entretien

S'assurer d'avoir suffisamment d'accès pour les connexions finales avant l'installation.

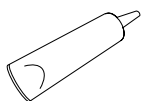
Information sur le produit (cont.)

AVIS : Fournir un panneau d'accès libre à la pompe. Il faut prévoir un accès pour l'entretien de la pompe et des contrôles. L'accès doit être situé tout près de la pompe. Étudier le guide de raccordement accompagnant la baignoire à hydromassage.

Sommaire

Informations importantes	1
Information sur le produit	1
Outils et matériels	3
Avant de commencer	3
Préparer le site	4
Préparer la baignoire à hydromassage	5
Sécuriser les modèles d'unités avec blocs de support	5
Sécuriser la baignoire à hydromassage au cadrage du montant	7
Sécuriser les modèles d'unité avec base de baignoire à hydromassage	8
Sectionner les sangles de retenue de la pompe	10
Installer la plomberie	10
Installer un robinet monté sur rebord	11
Faire les connexions électriques	12
Tester la baignoire à hydromassage	12
Compléter le comptoir fini	14
Compléter le mur fini	15
Nettoyage après installation	15
Confirmer le bon fonctionnement	16
Dépannage	17

Outils et matériels



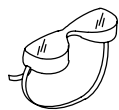
Mastic à la silicone



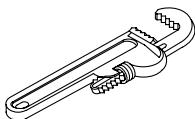
Mètre ruban



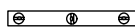
Crayon



Lunettes de protection



Clé à tuyau



Niveau à bulle

Plus:

- Outils conventionnels de menuiserie et matériaux
- Toile de protection
- Adhésif de construction (optionnel)
- Ciment ou mortier (optionnel)
- 2x4 ou 2x6
- Vis ou tire-fonds

Avant de commencer

- Avant de commencer l'installation, examiner la baignoire à hydromassage pour y déceler tout dommage.
- S'assurer que l'espace de montage et de raccordement du robinet soit adéquat pour l'installation.
- Kohler se réserve le droit d'apporter des modifications à la conception de ses produits sans préavis comme cela est indiqué dans le catalogue des prix.

Rebord de baignoire d'hydro-massage

Ne pas laisser reposer la baignoire à hydromassage sur ses rebords.

Installation encastrée

Tenir compte de l'épaisseur des matériaux de la plate-forme.

Rebord de baignoire à hydromassage

Latte

Installation nivelée

Utiliser les informations du gabarit, pour construire le cadre.

Rebord de la baignoire à hydromassage

Utiliser l'information de raccordement pour construire le cadrage de montant.

Installation de rebord carrelé

1. Préparer le site

AVIS : Se référer au guide de raccordement emballé avec la baignoire à hydromassage pour la charge de support de sol minimum requis lb/pied carré (kg/mètre carré).

- S'assurer que le sol constitue un support adéquat pour la baignoire à hydromassage et que le plancher soit plat et nivelé.

AVIS : La baignoire à hydromassage devrait être en emplacement encastré, nivelé ou à rebord carrelé.

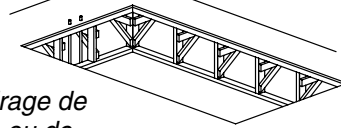
- Construire un cadre avec des montants de 2x4 ou de 2x6 pour votre installation particulière.

AVIS : La baignoire à hydromassage doit être supportée par ses pieds ou la base. Ne pas supporter le poids de charge de la baignoire à hydromassage par le périmètre du rebord.

- **Pour une installation surélevée :** Encadrer le plancher ou construire un cadre conforme aux informations du plan de raccordement qui accompagne la baignoire à hydromassage.
- Disposer et découper soigneusement le matériau du comptoir brut. Employer le gabarit s'il est fourni, ou se référer au guide de raccordement pour l'information de découpe.
- Déterminer l'emplacement de la plomberie selon le plan de raccordement fourni. Boucher les alimentations et vérifier s'il y a des fuites.

Positionner la plomberie.

Cadrer le sol selon l'instruction du plan de raccordement.



Construire un cadrage de montants de 2 x 4 ou de 2 x 6 suivant l'instruction du plan de raccordement.

Vérifier que le sous-plancher offre un support adquat et qu'il soit plat et nivelé.

2. Préparer la baignoire à hydromassage

- Installer le drain sur la baignoire à hydromassage selon les instructions du fabricant. Ne pas connecter le siphon à ce moment.
- Placer un chiffon propre ou matière similaire à la base de la baignoire à hydromassage. S'assurer de ne pas rayer la surface de la baignoire à hydromassage.

3. Sécuriser les modèles d'unités avec blocs de support

AVIS : Ne pas soulever la baignoire à hydromassage par la tuyauterie ou par la pompe ou utiliser la tuyauterie ou la pompe pour supporter la baignoire à hydromassage. Afin d'éviter d'endommager la baignoire à hydromassage, soulever sur les côtés de la baignoire.

AVIS : Ne pas supporter le poids de charge de la baignoire à hydromassage par le périmètre du rebord. Le périmètre du rebord doit être soutenu de manière adéquate, mais il ne doit pas supporter le poids de charge de la baignoire à hydromassage.

- Si le sous-plancher n'est pas à niveau, placer des blocs de renfort sous la baignoire à hydromassage, si nécessaire.

Choisir l'option d'installation qui s'applique le mieux à votre installation. Suivre les instructions correspondantes.

Option pour utilisation de lit de ciment ou de mortier

REMARQUE : Ne pas utiliser de plâtre dur ou un mélange pour cloison sèche pour cette installation, car ces produits ne fourniront pas un scellement acceptable et durable.

REMARQUE : Le support de pompe (une fois les sangles de retenue coupées) et les blocs de support doivent reposer directement sur le sol.

- Étendre une couche de ciment ou mortier de 2" (5,1 cm) d'épaisseur sur le sous-plancher à l'endroit d'installation de la baignoire. Ceci aidera à sécuriser, niveler et supporter l'unité. Écarter tout matériau de l'emplacement du montant de la pompe et des blocs de support.
- Positionner une bâche en plastique sur le lit de ciment ou de mortier. Avec de l'assistance, soulever et mettre soigneusement la baignoire à hydromassage en place et s'assurer que le support de pompe et les blocs de renfort ne reposent pas sur le matériau de l'embase.
- Fixer l'about du drain sur le siphon. S'assurer que la baignoire à hydromassage soit nivelée et qu'elle s'appuie sur tous les blocs de renfort.
- Retirer la pellicule protectrice du rebord. Appliquer du mastic à la silicone de bonne qualité tout autour du rebord de la baignoire à hydromassage.

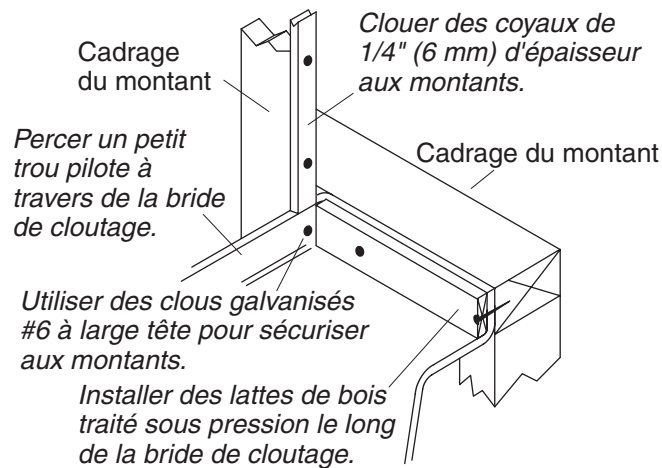
Sécuriser les modèles d'unités avec blocs de support (cont.)

Option pour l'utilisation de mastic adhésif de construction

- Appliquer un adhésif de construction de haute qualité à la base des blocs de renfort. Avec de l'assistance, soulever et mettre la baignoire à hydromassage en place avec précaution.
- Insérer la pièce de raccordement du drain dans le siphon. S'assurer que la baignoire à hydromassage soit nivelée et qu'elle s'appuie sur tous les blocs de renfort.
- Retirer la pellicule protectrice du rebord. Appliquer du mastic à la silicone de bonne qualité tout autour du rebord de la baignoire à hydromassage.

Option d'utilisation de mastic d'étanchéité à la silicone

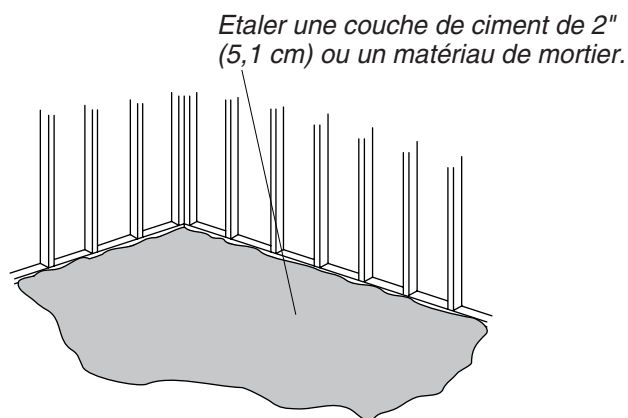
- Avec de l'assistance, soulever et mettre la baignoire à hydromassage en place avec précaution.
- Insérer la pièce de raccordement du drain dans le siphon. S'assurer que la baignoire à hydromassage soit nivelée et qu'elle s'appuie sur tous les blocs de renfort.
- Retirer la pellicule protectrice du rebord. Appliquer du mastic à la silicone de bonne qualité tout autour du rebord de la baignoire à hydromassage.



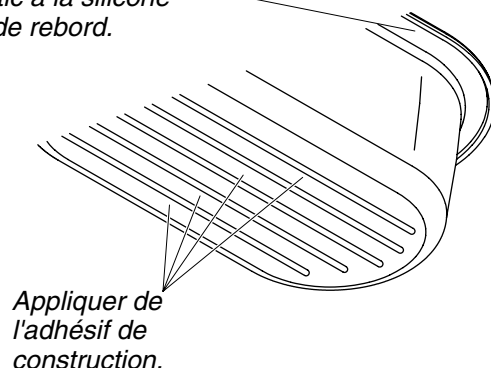
4. Sécuriser la baignoire à hydromassage au cadrage du montant

Option pour les modèles à rebord intégré

- Percer un petit trou-pilote dans la bride cloutage de chaque montant. Placer des cales entre la bride de cloutage et les montants, au besoin, pour éliminer les espaces.
- Clouer des planchettes de 1/4" (6 mm) sur les montants de façon à ce qu'elles soient en contact avec la collerette.
- Utiliser des clous galvanisés #6 à tête large pour sécuriser la bride aux montants.
- Pour les installations à bordure en carrelage, poser des lattes de bois traité sous pression autour de la bride de cloutage. Préalablement percer des orifices de cloutage à travers les lattes et la bride de cloutage avant d'y poser des clous galvanisés.



Appliquer un boudin de mastic à la silicone autour de rebord.



5. Sécuriser les modèles d'unité avec base de baignoire à hydromassage

AVIS : Ne pas soulever la baignoire à hydromassage par la tuyauterie ou par la pompe ou utiliser la tuyauterie ou la pompe pour supporter la baignoire à hydromassage. Afin d'éviter d'endommager la baignoire à hydromassage, soulever sur les côtés de la baignoire.

AVIS : Ne pas supporter le poids de charge de la baignoire à hydromassage par le périmètre du rebord. Le périmètre du rebord doit être soutenu de manière adéquate, mais il ne doit pas supporter le poids de charge de la baignoire à hydromassage.

Choisir l'option d'installation qui s'applique le mieux à votre installation. Suivre les instructions correspondantes.

- Si le sol n'est pas nivelé, placer des cales sous la baignoire si nécessaire.

Option pour utilisation de lit de ciment ou de mortier

REMARQUE : Ne pas utiliser de plâtre dur ou un mélange pour cloison sèche pour cette installation, car ces produits ne fourniront pas un scellement acceptable et durable.

- Étendre une couche de ciment ou mortier de 2" (5,1 cm) d'épaisseur sur le sous-plancher à l'endroit d'installation de la baignoire. Ceci aidera à sécuriser, niveler et supporter l'unité.
- Positionner une bâche en plastique sur le lit de ciment ou de mortier. Avec de l'aide, positionner la baignoire à hydromassage.
- Insérer la pièce de raccordement du drain dans le siphon. Vérifier que la baignoire soit nivelée. Utiliser des vis ou des tire-fonds (non fournis) pour fixer la base de la baignoire au plancher. Percer des petits trous-pilotes dans la base de la baignoire à hydromassage selon le besoin.
- Retirer la pellicule protectrice du rebord. Appliquer du mastic à la silicone de bonne qualité tout autour du rebord de la baignoire à hydromassage.

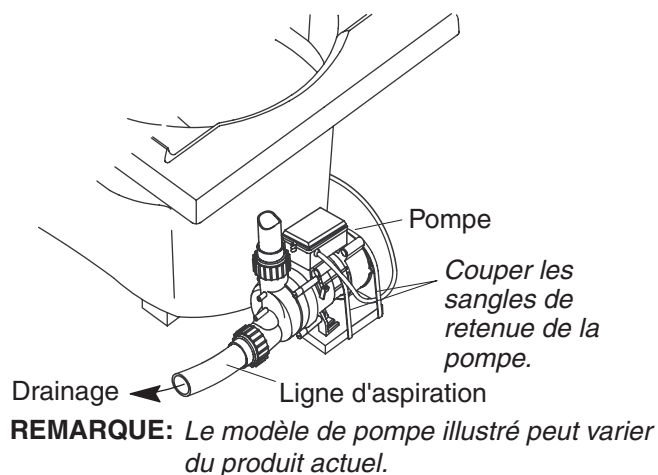
Option pour l'utilisation de mastic adhésif de construction

- Appliquer du mastic adhésif de construction de haute qualité à la base de la baignoire à hydromassage. Avec de l'assistance, soulever et mettre la baignoire à hydromassage en place avec précaution.
- Insérer la pièce de raccordement du drain dans le siphon. Vérifier que la baignoire soit nivelée. Utiliser des vis ou des tire-fonds (non fournis) pour fixer la base de la baignoire au plancher. Percer des petits trous-pilotes dans la base de la baignoire à hydromassage selon le besoin.
- Retirer la pellicule protectrice du rebord. Appliquer du mastic à la silicone de bonne qualité tout autour du rebord de la baignoire à hydromassage.

Sécuriser les modèles d'unité avec base de baignoire à hydromassage (cont.)

Option d'utilisation de mastic d'étanchéité à la silicone

- Avec de l'assistance, soulever et mettre la baignoire à hydromassage en place avec précaution.
- Insérer la pièce de raccordement du drain dans le siphon. Vérifier que la baignoire soit nivelée. Utiliser des vis ou des tire-fonds pour fixer la base de la baignoire au sol. Percer des petits trous-pilotes dans la base de la baignoire à hydromassage selon le besoin.
- Retirer la pellicule protectrice du rebord. Appliquer du mastic à la silicone de bonne qualité tout autour du rebord de la baignoire à hydromassage.



6. Sectionner les sangles de retenue de la pompe

REMARQUE : Si votre modèle de pompe ne comporte pas de sangles de retenue, procéder à la section suivante.

IMPORTANT ! Cette étape est nécessaire pour que votre baignoire à hydromassage Kohler fonctionne plus silencieusement.

REMARQUE : Ne pas soulever la pompe à un niveau supérieur à celui d'avant avoir coupé les sangles de retenue. Si la pompe est trop élevée, elle ne s'amorcera pas correctement.

- Couper les sangles de retenue de la pompe avec une cisaille de ferblantier. Lorsque les sangles de retenue sont sectionnées, le support de pompe et la pompe s'abaisseront d'environ 1/2" (1,3 cm) jusqu'à reposer sur le sol. Si la pompe s'abaisse de plus de 1/2" (1,3 cm), placer des cales au-dessous du support de pompe, pour qu'il y ait un dégagement de 1/2" (1,3 cm) entre la pompe et le support afin de permettre la bonne évacuation de l'eau.
- Pour réduire les bruits et vibrations émanant de la baignoire à hydromassage, s'assurer que la pompe ne soit pas en contact direct des supports d'expédition après que les sangles aient été sectionnées.
- Sécuriser le support de baignoire au plancher avec des vis ou des tire-fonds (non inclus).

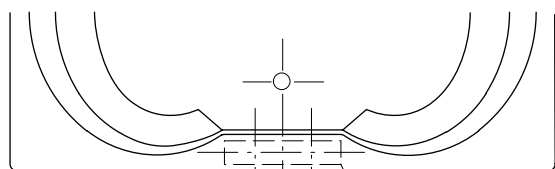
7. Installer la plomberie



ATTENTION : Risque d'endommagement du matériel. Un joint d'étanchéité doit être présent sur le drain de la baignoire à hydromassage. Le joint étanche doit prévenir tout dommage.

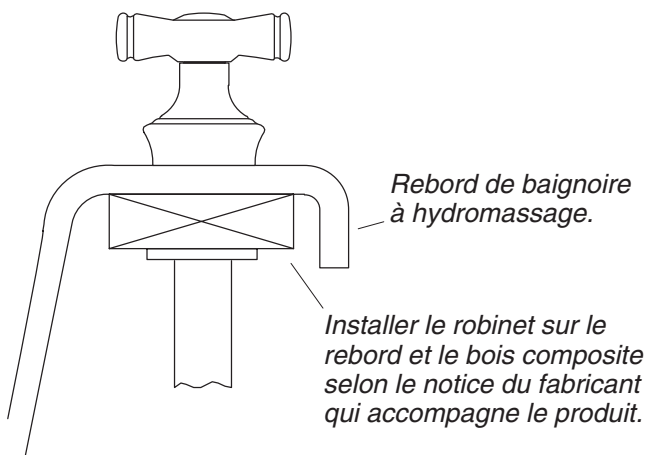
AVIS : Un panneau d'accès facilitera une maintenance future.

- Installer les valves du robinet conformément aux instructions du fabricant. Ne pas installer la garniture du robinet avant l'instruction de le faire. Ouvrir les alimentations d'eau chaude et froide et vérifier qu'il n'y ait pas de fuites.
- Laisser couler l'eau dans la baignoire à hydromassage et vérifier s'il y a des fuites dans les connexions du drain.



4" (10,2 cm)

Mesurer et couper une pièce de bois plaqué de 1/2" pour l'extérieur de 4" (10,2 cm) x 11-1/2" (29,2 cm) pour le modèle K-1226.



8. Installer un robinet monté sur rebord

K-1226 uniquement

- Mesurer et découper un morceau de contreplaqué extérieur de 4" (10,2 cm) x 11-1/2" (29,2 cm) pour le K-1226.
- Le robinet devrait être placé au centre de la surface plate du rebord. Se référer aux instructions du fabricant du robinet. Utiliser un crayon pour marquer l'axe central des trous du robinet.

REMARQUE : Le modèle K-1226 accepte des robinets avec 4" (10,2 cm).

AVIS : Positionner un carton fin sur la surface finie de la baignoire à hydromassage avant de fixer le contreplaqué. S'assurer que les attaches ne soient pas directement au contact de la surface de la baignoire à hydromassage. Ceci réduira le risque d'endommagement de la surface de la baignoire à hydromassage.

- Placer un carton fin sur le rebord de la surface finie du rebord de la baignoire à hydromassage. Positionner le contreplaqué à la base du rebord et le fixer avec attention avec la pince. S'assurer que les attaches soient au contact du carton et non avec la surface de la baignoire à hydromassage.
- Percer délicatement les orifices du robinet selon la taille requise par le fabricant. Retirer les attaches et le carton.
- Installer le robinet sur le rebord et bois contreplaqué selon les instructions du fabricant.
- Ouvrir les alimentations d'eau chaude et froide et vérifier qu'il n'y ait pas de fuites.
- Laisser couler l'eau dans la baignoire à hydromassage et vérifier s'il y a des fuites dans les connexions du drain.

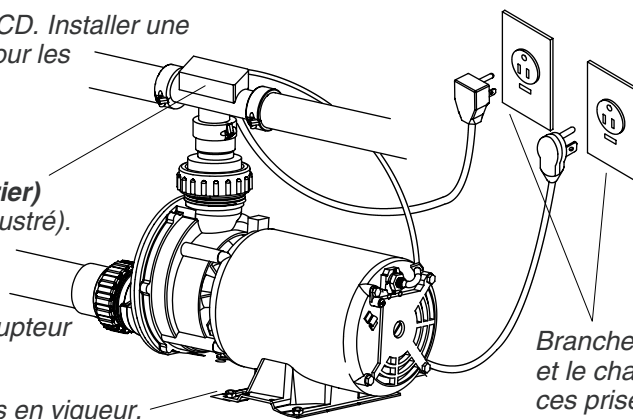
Installer une prise de terre 120V, 15A GFCI ou RCD. Installer une seconde prise de terre protégée GFCI ou RCD pour les modèles de chauffe-eau "H".

Chauffe-eau optionnel (les modèles peuvent varier) de style en T (illustré) ou admission d'eau (non illustré).

S'assurer que la tuyauterie de l'interrupteur d'air soit bien attachée à la pompe.

Sceller en fonction des codes en vigueur.

Brancher la pompe et le chauffe-eau sur ces prises.



REMARQUE: Pump model illustrated may differ from your actual product.

9. Faire les connexions électriques



AVERTISSEMENT : Risque d'électrocution. S'assurer que l'alimentation ait été débranchée avant d'effectuer les procédures suivantes.



AVERTISSEMENT : Risque d'électrocution. Connecter la pompe et le chauffe-eau en ligne (si inclus) à des prises de terre correctement mises à la terre et protégées par des disjoncteurs différentiels (GFCI) ou des appareils de courant résiduel (RCD). Ne pas retirer les broches de mise à la terre de la fiche. Ne pas utiliser d'adaptateurs de mise à la terre.

REMARQUE : Une étiquette qui identifie le numéro de modèle et les caractéristiques électriques de la baignoire à hydromassage est située à proximité de la pompe de la baignoire à hydromassage.

AVIS : La pompe (fournie) et le chauffe-eau (si fourni) sont munis d'un cordon et d'une fiche. Tous les câblages du dispositif de chauffage ont été effectués en usine. Un électricien qualifié doit installer une prise mise à la terre de 120 V et 15 A protégée par un GFCI ou un RCD. Aucune autre charge ne doit être montée sur ce circuit.

Câblage de pompe

- Localiser la prise de courant derrière la baignoire à hydromassage, dans les 24" (61 cm) de la pompe.
- Brancher le cordon d'alimentation de la pompe à cette prise.

REMARQUE : S'assurer d'attacher fermement l'interrupteur d'air à la pompe, et qu'il ne soit ni pincé ou endommagé.

Câblage de chauffe-eau – Modèles « H » »

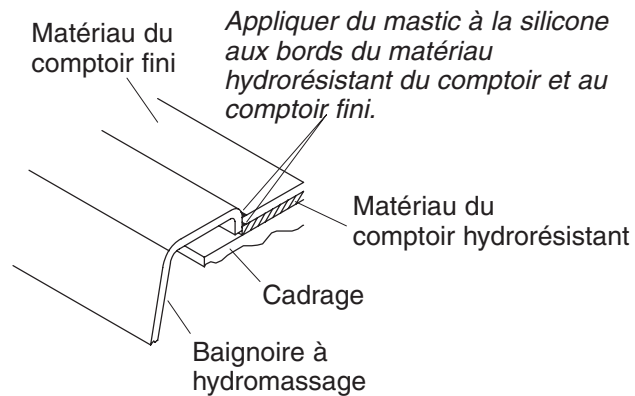
- Localiser la prise de courant derrière la baignoire à hydromassage, à [24" (61 cm)] de distance du chauffe-eau.
- Brancher le chauffe-eau sur cette prise.

10. Tester la baignoire à hydromassage

- Contrôler toutes les connexions électriques et s'assurer que la baignoire à hydromassage et que le chauffe-eau soient alimentés.
- S'assurer que tous les raccords à la pompe et au chauffe-eau soient fermement serrés à la main.
- S'assurer également que les sangles de retenue des pompes ont été sectionnées (si applicable) et que la pompe repose directement sur le sol ou sur la base de baignoire.

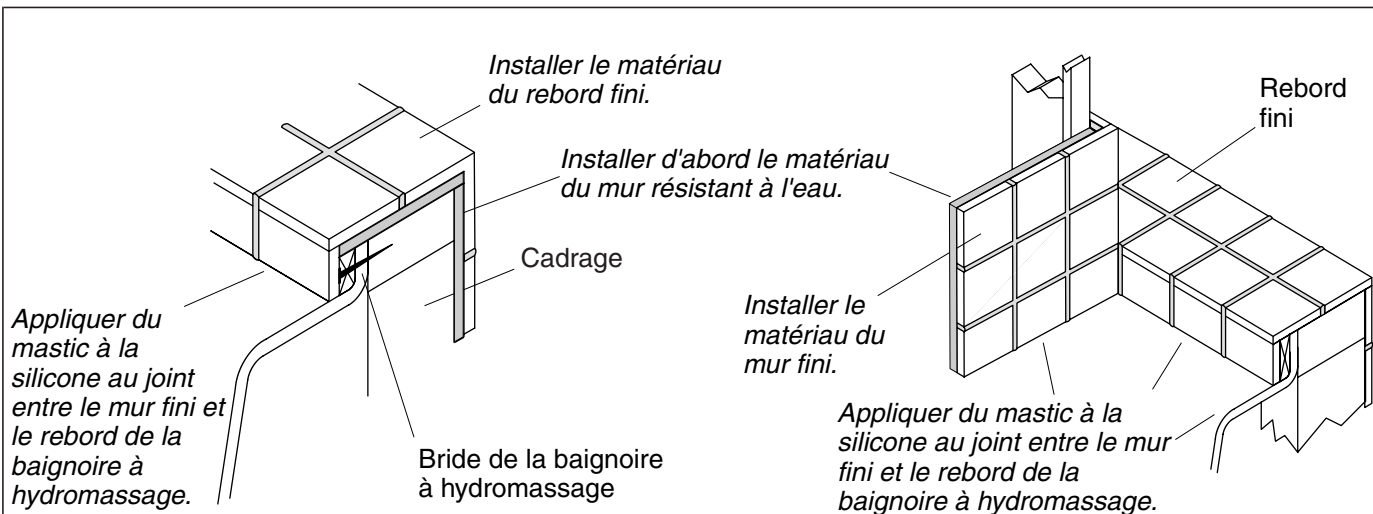
Tester la baignoire à hydromassage (cont.)

- Remplir la baignoire à hydromassage à au moins 2" (5,1 cm) au-dessus du jet le plus élevé. Se référer à la section « Confirmer le bon fonctionnement » pour obtenir de l'information supplémentaire.
- Faire fonctionner la baignoire à hydromassage pendant 5 minutes et, vérifier que tous les raccords des tuyaux de la baignoire à hydromassage n'aient pas de fuites.



11. Compléter le comptoir fini

- Retirer soigneusement la pellicule de protection recouvrant la surface de la baignoire à hydromassage si cela n'a pas déjà été fait.
- Recouvrir le cadre avec du matériau hydro-résistant. Sceller les joints entre le rebord de la baignoire à hydromassage et le matériau hydro-résistant du comptoir à l'aide de mastic à la silicone.
- Appliquer le matériau hydro-résistant du comptoir. Installer le comptoir fini sur le matériau hydro-résistant. Sceller les joints entre le rebord de la baignoire à hydromassage et le matériau du comptoir fini à l'aide de mastic à la silicone.
- Installer la garniture du robinet conformément aux instructions du fabricant.



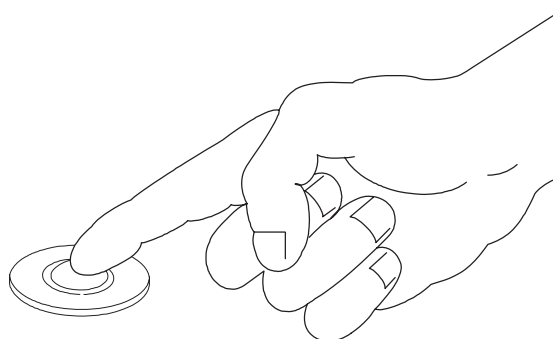
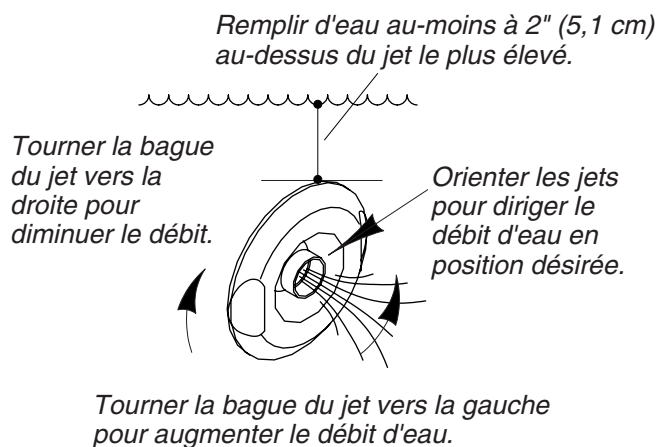
12. Compléter le mur fini

Pose avec rebord carrelé

- Retirer soigneusement la pellicule de protection recouvrant la surface de la baignoire à hydromassage si cela n'a pas déjà été fait.
- Recouvrir le cadrage avec du matériau hydrorésistant.
- Poser et appliquer le matériau hydrorésistant du mur. Installer le mur fini sur le matériau hydrorésistant.
- Sceller les joints d'étanchéité entre le bord de la baignoire à hydromassage et le matériau du mur fini avec du mastic à la silicone.
- Installer la garniture du robinet suivant les instructions emballées avec celle-ci.

13. Nettoyage après installation

- Lors du nettoyage après installation, **ne pas utiliser de nettoyant abrasif**, car il pourrait rayer et abîmer la surface de la baignoire à hydromassage. Utiliser de l'eau tiède et un détergent liquide pour nettoyer la surface.
- Retirer les taches résistantes, peinture, ou goudron avec de l'essence de térébenthine ou un diluant pour peinture. **Ne pas laisser de nettoyants à base de distillats de pétrole rester en contact avec les surfaces de la baignoire à hydromassage pendant une longue période.** Retirer les résidus de plâtre en raclant au moyen d'un bord en bois. Ne pas utiliser de grattoirs en métal, une brosse en fer ou d'autres outils en métal. Utiliser des nettoyants en poudre sur un chiffon humide pour une action abrasive douce sur les résidus de plâtre.



Appuyer sur l'interrupteur d'air pour activer
ou arrêter la baignoire à hydromassage.

14. Confirmer le bon fonctionnement

Remplir la baignoire à hydromassage

- Orienter les buses des jets vers le fond du bassin. Tourner les bagues de garniture du jet complètement vers la gauche.
- Remplir la baignoire à hydromassage au moins à 2" (5,1 cm) au-dessus du jet le plus élevé.

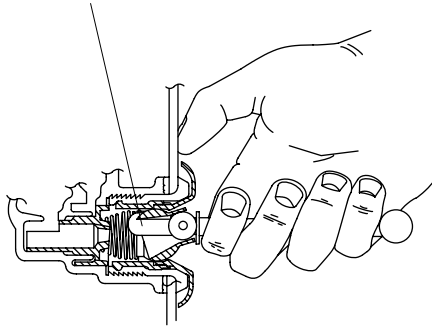
REMARQUE : La température de la baignoire à hydromassage ne devrait pas excéder 104°F (40° C).

Séquence d'opération

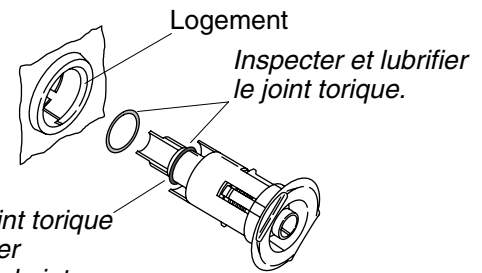
- Appuyer sur l'interrupteur d'air pour activer les jets.
- Ajuster chaque jet pour un mélange optimal d'eau et d'air. Tourner l'anneau à droite pour réduire le débit d'air, ou à gauche pour l'augmenter.
- Si équipé d'un chauffe-eau, celui-ci s'activera automatiquement avec la mise en marche de la pompe, et s'arrêtera quand la pompe est éteinte. Le chauffe-eau ne s'activera pas si la température de l'eau excède 104°F (40°C).
- Appuyer sur l'interrupteur d'air une seconde fois pour arrêter la baignoire à hydromassage.

Retirer les jets

Insérer l'outil en crochet comme indiqué, et retirer le jet hors de son logement. Le gicleur devrait être vers le haut quand cela sera terminé.



Réinstaller les jets



Glisser le joint torique sur le premier épaulement du jet.

Insérer le jet dans son logement, tourner et pousser doucement jusqu'à ce qu'il s'enclenche en position.

Dépannage

AVIS : Cette section est seulement destinée à une aide générale. Seul un agent agréé de Kohler ou un électricien qualifié devrait corriger tous les problèmes électriques. Pour une réparation sous garantie, contacter le vendeur ou distributeur.

Retirer les jets

REMARQUE : Un outil spécial est fourni avec les jets de remplacement pour permettre de retirer les anciens jets de la baignoire à hydromassage. Cet outil est aussi fourni avec chaque kit de garniture.

- Positionner le jet de façon à ce qu'il pointe vers le haut.

REMARQUE : Le gicleur doit rester pointé vers le haut pour que l'outil ne glisse pas.

- Insérer l'outil d'extraction, avec son côté crochet vers le haut dans l'ouverture du jet et accrocher la partie supérieure du gicleur.
- Tenir l'outil fermement et placer le pouce contre le mur de la baignoire à hydromassage. Tirer avec force sur l'outil jusqu'à ce que l'ensemble du jet sorte du trou. Faire attention à ne pas perdre le joint torique.

Réinstaller les jets

REMARQUE : Pour permettre une rotation aisée et un fonctionnement correct des jets, le joint torique doit être : (1) correctement placé, (2) lubrifié, et (3) en bonne condition.

- Installer le joint torique sur le **premier épaulement** du jet.
- Lubrifier le joint torique avec le paquet de lubrifiant silicone (fourni), afin d'éviter le fonctionnement bruyant du jet.
- Insérer délicatement le jet dans le logement, puis pousser et pivoter légèrement jusqu'à ce qu'il s'enclenche en place. **Ne pas forcer le jet.**
- L'appareil n'est pas installé correctement. Le jet devrait pivoter aisément dans les deux sens. Retirer et réinstaller si nécessaire.

Dépannage (cont.)

Symptômes	Causes probables	Action recommandée
1. La baignoire à hydromassage ne démarre/s'arrête pas.	<p>A. Pas d'alimentation à la pompe.</p> <p>B. Retirer le panneau d'accès et presser l'interrupteur d'air, si on n'entend pas de « clic », le tubage de l'interrupteur est desserré ou déconnecté.</p> <p>C. La tuyauterie d'interrupteur d'air est pincée ou pliée.</p> <p>D. Le bouton poussoir est endommagé.</p> <p>E. La pompe est alimentée et un « clic » est entendu lorsque l'on appuie sur l'interrupteur d'air. La pompe ne fonctionne pas.</p> <p>F. Le receveur dans la pompe ne fonctionne pas.</p>	<p>A. Vérifier que la pompe est branchée et que le GFCI/RCD ne soit pas déclenché. Vérifier que la prise ait du courant en utilisant un multimètre ou en connectant un appareil de 110V fonctionnant (lampe, radio, etc.) dans la prise. Réparer au besoin.</p> <p>B. Vérifier que le tubage de l'interrupteur d'air est connecté aux extrémités du receveur/de la pompe et de l'interrupteur d'air. Reconnecter si nécessaire.</p> <p>C. Ajuster le tubage pour dégager l'endroit pincé/plié. Si la pliure ne peut être éliminée, ou bien qu'une pliure est apparente, percer un petit trou dans le tubage avec un petit clou et essayer le système à nouveau.</p> <p>D. Remplacer l'ensemble du bouton poussoir.</p> <p>E. Remplacer la pompe.</p> <p>F. Remplacer le receveur ou la pompe.</p>
2. Le système démarre mais ne reste pas en MARCHE.	<p>A. Le receveur dans la pompe ne fonctionne pas.</p>	<p>A. Remplacer le receveur ou la pompe.</p>
3. La baignoire à hydromassage s'arrête automatiquement.	<p>A. La pompe a surchauffé et les dispositifs de protection sont activés.</p> <p>B. GFCI/RCD sont déclenchés.</p>	<p>A. Vérifier s'il y a blocage aux prises d'air du moteur. Vérifier si la conduite d'aspiration n'est pas bouchée. Vérifier si les jets sont bouchés. Retirer toute obstruction et laisser le moteur refroidir.</p> <p>B. Identifier la source du problème et corriger. Vérifier que le GFCI/RCD ne soit pas déclenché. Si le problème persiste, contacter un électricien qualifié.</p>
4. Le moteur démarre mais certains jets ne fonctionnent pas.	<p>A. Les jets sont fermés.</p> <p>B. Les jets sont bloqués ou la rotation de la bague de garniture est entravée.</p> <p>C. Les jets ne sont pas installés correctement.</p> <p>D. La pompe n'est pas correctement supportée et cavite.</p>	<p>A. Pivoter la bague de garniture du jet vers la gauche pour ouvrir/augmenter le débit aux jets.</p> <p>B. De la colle pourrait obstruer l'ouverture du jet ou empêcher la bague de garniture du jet de pivoter. Retirer la bague de garniture et tout excès de colle.</p> <p>C. Réinstaller le jet; s'assurer que le joint torique ne soit pas endommagé.</p> <p>D. Revoir les instructions d'installation et vérifier que la pompe soit à la hauteur appropriée et que ses sangles (lorsqu'applicable) ont été coupées.</p>

Dépannage (cont.)

Symptômes	Causes probables	Action recommandée
5. Fonctionnement de la pompe bruyant.	A. Les sangles de la pompe n'ont pas été coupées (modèles avec blocs de support uniquement).	A. En utilisant une cisaille de ferblantier, couper les sangles de la pompe.
6. Le chauffe-eau ne fonctionne pas (unités avec chauffe-eau uniquement).	A. Pas de courant au chauffe-eau ou celui-ci n'est pas connecté à une prise séparée de la pompe. B. La température de l'eau est au dessus de 104° F (40°C).	A. Vérifier que le chauffe-eau est connecté à une prise séparée de la pompe et que la connexion ait du courant. B. Comme mesure de précaution, le chauffe-eau ne fonctionnera pas lorsque la température d'eau est au-dessus de 104°F (40°C).

Guía de instalación

Bañera de hidromasaje de sobreponer

Información importante



ADVERTENCIA: Al usar aparatos eléctricos, siga siempre las precauciones básicas, incluyendo las siguientes:

El material de construcción y el cableado se deben colocar lejos del cuerpo de la bomba y de otros componentes que produzcan calor.

Instale la unidad de manera que se permita el acceso para darle servicio.

La conexión a tierra es un requisito. Un representante de servicio autorizado debe instalar esta unidad y conectarla a tierra.



ADVERTENCIA: Riesgo de descarga eléctrica. Un electricista calificado debe realizar todas las conexiones eléctricas.



ADVERTENCIA: Riesgo de descarga eléctrica. Desconecte el suministro eléctrico antes de dar servicio.



ADVERTENCIA: Riesgo de lesiones personales o daños a la propiedad. Lea atentamente todas las instrucciones antes de comenzar la instalación, incluyendo los requisitos detallados a continuación.

AVISO: Cumpla con todos los códigos locales de electricidad y de plomería.

Información sobre el producto

Requisitos eléctricos

La instalación debe contar con un interruptor de circuito con pérdida a tierra (GFCI) de Clase A o dispositivo de corriente residual (RCD). El GFCI o RCD protege contra el peligro de descarga eléctrica de línea a tierra. Utilice un circuito dedicado de 120 V, 15 A y 60 Hz para la bañera de hidromasaje.

Los modelos "H" requieren un circuito dedicado de 120 V, 15 A y 60 Hz para el calentador.

NOTA: Si el cable eléctrico de la bomba está dañado, debe ser reemplazado por el fabricante, un agente de servicio autorizado por el fabricante o personas igualmente calificadas para así evitar un peligro. El cable eléctrico del calentador no se puede reemplazar. Si el cable eléctrico está dañado, el calentador se debe reemplazar.

Avisos sobre el producto



ADVERTENCIA: Las modificaciones no autorizadas pueden causar un funcionamiento peligroso y bajo rendimiento de la bañera de hidromasaje. No cambie la ubicación de la bomba de la bañera de hidromasaje, ni haga otras modificaciones en el sistema de hidromasaje, ya que esto podría tener un efecto adverso en el rendimiento y en el funcionamiento seguro de la bañera de hidromasaje. Kohler Co. no se hace responsable bajo esta garantía o de ninguna otra forma, de las lesiones personales o los daños provocados por modificaciones no autorizadas.



ADVERTENCIA: Riesgo de descarga eléctrica. Desconecte el suministro eléctrico antes de dar servicio.



ADVERTENCIA: Riesgo de descarga eléctrica. Un electricista calificado debe realizar todas las conexiones eléctricas.

Información sobre el producto (cont.)



ADVERTENCIA: Riesgo de lesiones personales o daños a la propiedad. Por favor, lea atentamente todas las instrucciones antes de comenzar la instalación.

AVISO: Cumpla con todos los códigos locales de electricidad y de plomería.

Componentes ensamblados en fábrica

Los componentes instalados en la fábrica incluyen la bomba con cable de alimentación eléctrica y el interruptor de aire. No es necesario instalarlos.

Los modelos "H" también vienen equipados con un calentador.

La bomba y las tuberías de la bañera de hidromasaje están montadas en fábrica.

Acceso de servicio y a las conexiones

Antes de instalar, asegúrese de proveer el acceso adecuado a las conexiones finales.

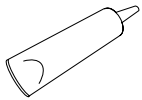
Información sobre el producto (cont.)

AVISO: Provea acceso sin restricciones para dar servicio a la bomba. Se debe proveer acceso para dar servicio a la bomba y los controles. El panel de acceso se debe ubicar justo al lado de la bomba. Consulte el diagrama de instalación que viene con la bañera de hidromasaje.

Contenido

Información importante	1
Información sobre el producto	1
Herramientas y materiales	3
Antes de comenzar	3
Prepare el sitio	4
Prepare la bañera de hidromasaje	5
Fije la unidad - Modelos con bloques de soporte	5
Fije la bañera de hidromasaje a la estructura de postes	7
Fije la unidad - Modelos con base de bañera de hidromasaje	8
Corte las cintas metálicas que sujetan la bomba	10
Instale la plomería	10
Instale una grifería de montaje en el borde	11
Realice las conexiones eléctricas	12
Pruebe el funcionamiento de la bañera de hidromasaje	12
Termine la cubierta acabada	14
Termine la pared acabada	15
Limpieza después de la instalación	15
Confirme el funcionamiento correcto	16
Procedimiento para resolver problemas	17

Herramientas y materiales



Sellador de silicona



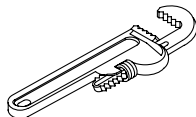
Cinta para medir



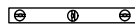
Lápiz



Lentes de seguridad



Llave para tubo



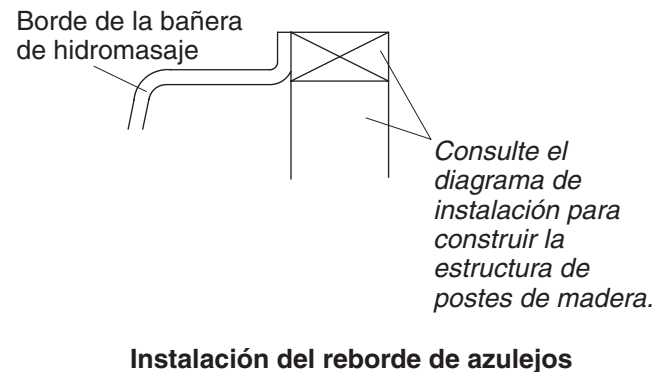
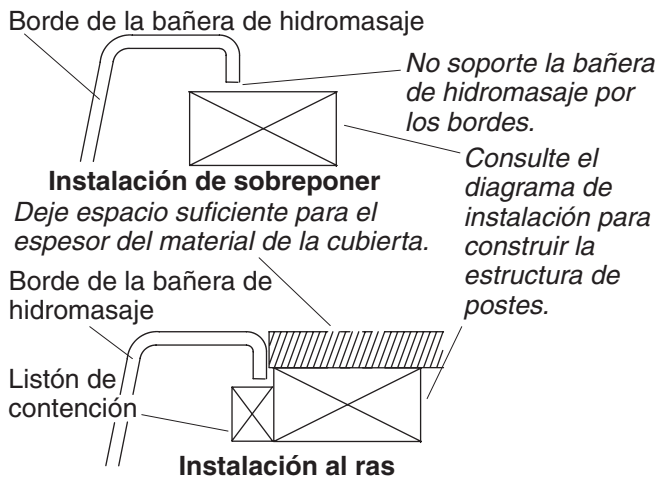
Nivel

Más:

- Materiales y herramientas convencionales para carpintería
- Lona
- Adhesivo de construcción (opcional)
- Cemento o mortero (opcional)
- Postes de madera de 2x4 ó 2x6
- Tornillos o pernos de fijación

Antes de comenzar

- Verifique que la bañera de hidromasaje no esté dañada antes de iniciar la instalación.
- Confirme que haya suficiente espacio para montar y conectar la grifería especificada para su instalación.
- Kohler Co. se reserva el derecho de modificar el diseño de los productos sin previo aviso, tal como se especifica en la lista de precios.



1. Prepare el sitio

AVISO: Consulte la Guía del diagrama de instalación embalada con su bañera de hidromasaje para el soporte mínimo requerido del piso en libras/pie cuadrado (kg/metro cuadrado).

- Asegúrese de que el piso ofrezca suficiente soporte para su bañera de hidromasaje y que el subpiso esté plano y nivelado.

AVISO: La bañera de hidromasaje debe instalarse sobrepuesta, al ras o con reborde de azulejos.

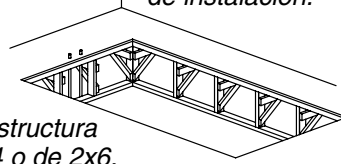
- Construya una estructura de postes de 2x4 ó 2x6 diseñada para su instalación en particular.

AVISO: Los pies o base de la bañera de hidromasaje deben soportarla. No apoye el peso de la bañera de hidromasaje por el perímetro del borde.

- **Para una instalación elevada:** Construya una estructura de postes de madera en el piso o construya una estructura conforme a la información de instalación provista con la bañera de hidromasaje.
- Trace y corte con cuidado el material de la cubierta no acabada. Si se ha incluido, utilice la plantilla de corte, o en su defecto, consulte la información de corte en la Guía del diagrama de instalación.
- Instale las tuberías de plomería según el diagrama de instalación provisto. Tape los suministros y verifique que no haya fugas.

Coloque las tuberías de plomería.

Encuadre el piso conforme al diagrama de instalación.



Construya una estructura de postes de 2x4 o de 2x6, conforme al diagrama de instalación.

Verifique que el subpiso proporcione el soporte adecuado, y que esté plano y nivelado.

2. Prepare la bañera de hidromasaje

- Instale el desagüe en la bañera de hidromasaje según las instrucciones del fabricante del desagüe. Aún no conecte la trampa.
- Coloque una lona gruesa limpia o un material similar en el fondo de la bañera de hidromasaje. Tenga cuidado de no rayar la superficie de la bañera de hidromasaje.

3. Fije la unidad - Modelos con bloques de soporte

AVISO: No levante la bañera de hidromasaje por los tubos o la bomba, ni use los tubos o la bomba como soporte estructural de la bañera de hidromasaje. Para evitar daño a la bañera de hidromasaje, levántela por los lados.

AVISO: No apoye el peso de la bañera de hidromasaje por el perímetro del borde. El perímetro del borde debe tener el soporte adecuado, pero no debe soportar el peso de la bañera de hidromasaje.

- Si el subpiso no está nivelado, acúñe los bloques de soporte de la bañera de hidromasaje según sea necesario.

Elija la opción de instalación más apropiada para su instalación en particular. Siga las instrucciones correspondientes.

Opción que utiliza una capa de cemento o mortero

NOTA: No utilice cemento de yeso o pasta para paneles de yeso con esta aplicación, puesto que no proporcionarán una adherencia aceptable ni duradera.

NOTA: El soporte de la bomba (cuando las cintas metálicas están cortadas) y los bloques de soporte deben descansar directamente sobre el subpiso.

- Extienda una capa de 2" (5,1 cm) de espesor de cemento o mortero en el subpiso donde se instalará la bañera de hidromasaje. Esto ayudará a fijar, nivelar y dar soporte a la unidad. Limpie todo el material de la zona donde se instalarán los soportes de la bomba y los bloques de soporte.
- Coloque un pedazo de lona gruesa de plástico sobre el cemento o mortero. Obtenga ayuda para colocar la bañera de hidromasaje en su lugar y verifique que el soporte de la bomba y los bloques de soporte no se apoyen sobre la capa de material.
- Fije el tubo final del desagüe en la trampa. Asegúrese de que la bañera de hidromasaje esté a nivel y apoyada en todos los bloques de soporte.
- Retire la cinta protectora del borde. Aplique una tira continua de sellador de silicona de buena calidad alrededor de todo el borde de la bañera de hidromasaje.

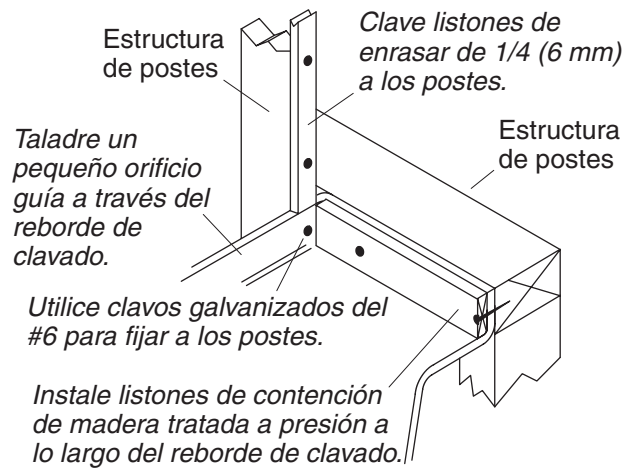
Fije la unidad - Modelos con bloques de soporte (cont.)

Opción que utiliza adhesivo de construcción

- Aplique una cantidad abundante de adhesivo de construcción de alta calidad en la parte inferior de los bloques de soporte. Obtenga ayuda para colocar con cuidado la bañera de hidromasaje en su lugar.
- Inserte el tubo final en la trampa. Asegúrese de que la bañera de hidromasaje esté a nivel y apoyada en todos los bloques de soporte.
- Retire la cinta protectora del borde. Aplique una tira continua de sellador de silicona de buena calidad alrededor de todo el borde de la bañera de hidromasaje.

Opción que utiliza sellador de silicona

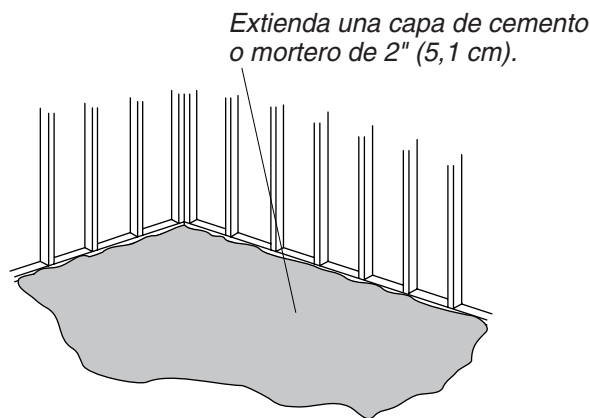
- Obtenga ayuda para colocar con cuidado la bañera de hidromasaje en su lugar.
- Inserte el tubo final en la trampa. Asegúrese de que la bañera de hidromasaje esté a nivel y apoyada en todos los bloques de soporte.
- Retire la cinta protectora del borde. Aplique una tira continua de sellador de silicona de buena calidad alrededor de todo el borde de la bañera de hidromasaje.



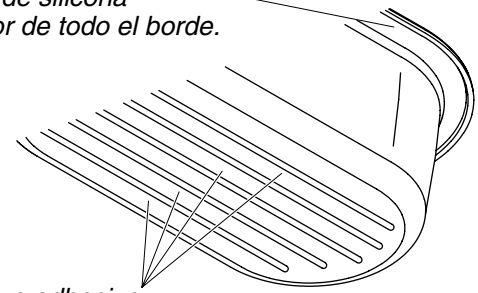
4. Fije la bañera de hidromasaje a la estructura de postes

Opción para modelos con reborde integral

- Taladre un pequeño orificio guía a través del reborde de clavado en cada poste. Añada cuñas entre el reborde de clavado y los postes según sea necesario para eliminar los huecos.
- Clave los listones de enrasar de 1/4" (6 mm) de espesor en los postes para alcanzar el filo del reborde de clavado.
- Utilice clavos de cabeza grande galvanizados del #6 para fijar el reborde de clavado a los postes de madera.
- Para las instalaciones con reborde de azulejos, mida e instale listones de contención de madera tratada a presión a lo largo del reborde de clavado. Taladre orificios para clavos a través de los listones de contención y el reborde de clavado, antes de fijar con clavos galvanizados.



Aplique una tira de sellador de silicona alrededor de todo el borde.



Aplique adhesivo de construcción en la base de la bañera de hidromasaje.

5. Fije la unidad - Modelos con base de bañera de hidromasaje

AVISO: No levante la bañera de hidromasaje por los tubos o la bomba, ni use los tubos o la bomba como soporte estructural de la bañera de hidromasaje. Para evitar daño a la bañera de hidromasaje, levántela por los lados.

AVISO: No apoye el peso de la bañera de hidromasaje por el perímetro del borde. El perímetro del borde debe tener el soporte adecuado, pero no debe soportar el peso de la bañera de hidromasaje.

Elija la opción de instalación más apropiada para su instalación en particular. Siga las instrucciones correspondientes.

- Si el subpiso no está nivelado, será necesario acuñar la base de la bañera.

Opción que utiliza una capa de cemento o mortero

NOTA: No utilice cemento de yeso o pasta para paneles de yeso con esta aplicación, puesto que no proporcionarán una adherencia aceptable ni duradera.

- Extienda una capa de 2" (5,1 cm) de espesor de cemento o mortero en el subpiso donde se instalará la bañera de hidromasaje. Esto ayudará a fijar, nivelar y dar soporte a la unidad.
- Coloque un pedazo de lona gruesa de plástico sobre el cemento o mortero. Obtenga ayuda para colocar con cuidado la bañera de hidromasaje en su lugar.
- Inserte el tubo final en la trampa. Verifique que la bañera de hidromasaje esté nivelada. Utilice tornillos o pernos de fijación (no provistos) para fijar la base de la bañera de hidromasaje al piso. Taladre pequeños orificios guía en la base de la bañera, según sea necesario.
- Retire la cinta protectora del borde. Aplique una tira continua de sellador de silicona de buena calidad alrededor de todo el borde de la bañera de hidromasaje.

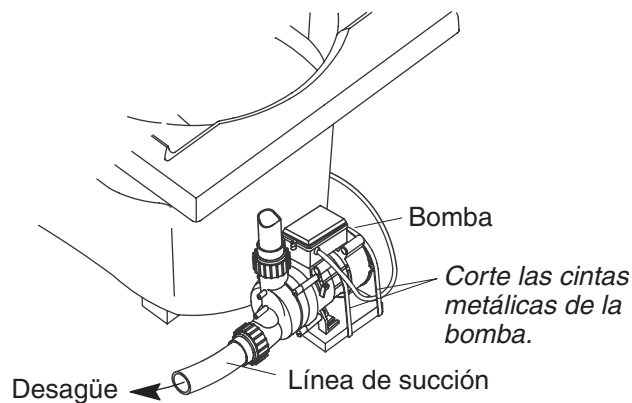
Opción que utiliza adhesivo de construcción

- Aplique una cantidad abundante de adhesivo de construcción de alta calidad por debajo de la base de la bañera de hidromasaje. Obtenga ayuda para colocar con cuidado la bañera de hidromasaje en su lugar.
- Inserte el tubo final en la trampa. Verifique que la bañera de hidromasaje esté nivelada. Utilice tornillos o pernos de fijación (no provistos) para fijar la base de la bañera de hidromasaje al piso. Taladre pequeños orificios guía en la base de la bañera, según sea necesario.
- Retire la cinta protectora del borde. Aplique una tira continua de sellador de silicona de buena calidad alrededor de todo el borde de la bañera de hidromasaje.

Opción que utiliza sellador de silicona

Fije la unidad - Modelos con base de bañera de hidromasaje (cont.)

- Obtenga ayuda para colocar con cuidado la bañera de hidromasaje en su lugar.
- Inserte el tubo final en la trampa. Verifique que la bañera de hidromasaje esté nivelada. Utilice tornillos o pernos de fijación para fijar la base de la bañera de hidromasaje al piso. Taladre pequeños orificios guía en la base de la bañera, según sea necesario.
- Retire la cinta protectora del borde. Aplique una tira continua de sellador de silicona de buena calidad alrededor de todo el borde de la bañera de hidromasaje.



NOTA: Es posible que el modelo de bomba ilustrado sea diferente al producto que haya adquirido.

6. Corte las cintas metálicas que sujetan la bomba

NOTA: Si su modelo de bomba no tiene cintas metálicas, prosiga a la próxima sección.

¡IMPORTANTE! Este paso es necesario para que su bañera de hidromasaje Kohler funcione más silenciosamente.

NOTA: No levante la bomba a mayor altura de la que tenía antes de cortar las cintas metálicas. Si la bomba está demasiado alta, no cebará correctamente.

- Utilice tijeras de chapa para cortar las dos cintas metálicas de la bomba. Después de cortar las cintas metálicas, el soporte de la bomba y la bomba descenderán una 1/2" (1,3 cm) hasta apoyarse en el subpiso. Si la bomba desciende más de 1/2" (1,3 cm), coloque cuñas debajo del soporte de la bomba, de manera que haya un espacio de 1/2" (1,3 cm) entre la bomba y el soporte para un buen desagüe.
- Para minimizar el ruido y la vibración de la bañera de hidromasaje, asegúrese de que la bomba no esté en contacto directo con el soporte de transporte una vez cortadas las cintas metálicas.
- Fije el soporte de la bomba al subpiso con tornillos o pernos de fijación (no provistos).

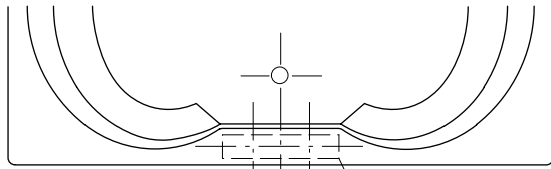
7. Instale la plomería



PRECAUCIÓN: Riesgo de daños a la propiedad. Debe existir un sello hermético en el desagüe de la bañera de hidromasaje. Este sello hermético evitará daños a la propiedad.

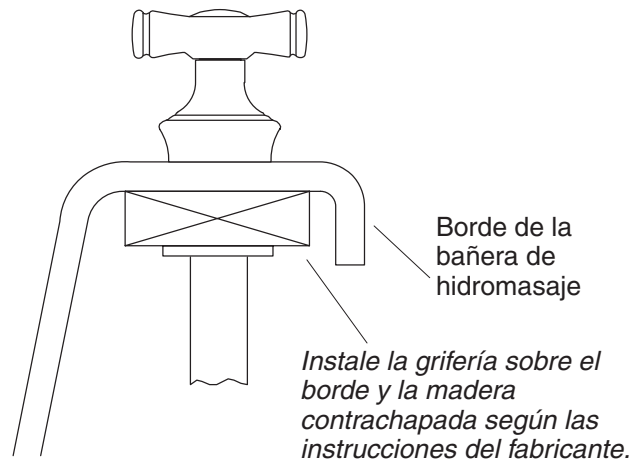
AVISO: Un panel de acceso facilitará el mantenimiento futuro.

- Instale las válvulas de la grifería según las instrucciones del fabricante de la grifería. No instale la guarnición de la grifería hasta que se le indique. Abra los suministros del agua caliente y fría, y compruebe que no haya fugas en las conexiones de suministro.
- Haga que el agua circule en la bañera de hidromasaje y compruebe que no haya fugas en las conexiones del desagüe.



4" (10,2 cm)

Mida, corte y taladre una pieza de madera contrachapada para exteriores de 1/2" de 4" (10,2 cm) x 11-1/2" (29,2 cm) para K-1226.



Borde de la bañera de hidromasaje

Instale la grifería sobre el borde y la madera contrachapada según las instrucciones del fabricante.

8. Instale una grifería de montaje en el borde

Sólo K-1226

- Mida y corte una pieza de madera contrachapada de 1/2" para exteriores de 4" (10,2 cm) x 11-1/2" (29,2 cm) para el K-1226.
- La grifería debe estar en el centro del área plana en el borde. Siga las instrucciones del fabricante de la grifería. Marque con un lápiz las líneas centrales de la grifería para taladrar los orificios.

NOTA: El modelo K-1226 acepta griferías con centros a 4" (10,2 cm).

AVISO: Coloque un trozo de cartón delgado sobre la superficie acabada de la bañera de hidromasaje, antes de fijar la madera contrachapada en su lugar. Asegúrese de que las grapas no estén en contacto directo con la superficie acabada de la bañera de hidromasaje. Esto reducirá el riesgo de daños a la superficie de la bañera de hidromasaje.

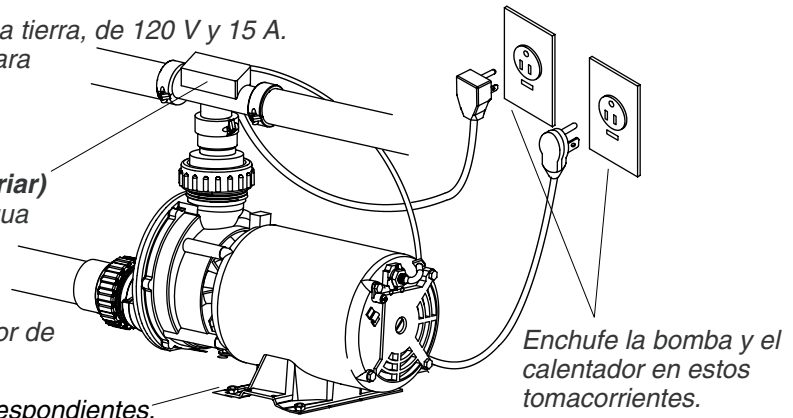
- Coloque un trozo de cartón delgado sobre la superficie acabada del borde de la bañera. En el dorso del borde, coloque la madera contrachapada y fíjela cuidadosamente con las grapas de sujeción en su lugar. Asegúrese de que las grapas de sujeción entren en contacto con el cartón y no con la superficie acabada de la bañera de hidromasaje.
- Con cuidado taladre los orificios para la grifería según el tamaño indicado por el fabricante. Retire las grapas de sujeción y el cartón.
- Instale la grifería en el borde y la madera contrachapada según las instrucciones del fabricante de la grifería.
- Abra los suministros del agua caliente y fría, y compruebe que no haya fugas en las conexiones de suministro.
- Haga que el agua circule en la bañera de hidromasaje y compruebe que no haya fugas en las conexiones del desagüe.

Instale un tomacorriente GFCI o RCD conectado a tierra, de 120 V y 15 A.
Instale un segundo tomacorriente GFCI o RCD para el calentador de los modelos "H".

Calentador opcional (los modelos pueden variar) bien sea de estilo T (ilustrado) o de toma de agua (no ilustrado).

Verifique que la tubería del accionador de aire esté bien conectada a la bomba.

Cumpla con los códigos correspondientes.



Enchufe la bomba y el calentador en estos tomacorrientes.

NOTA: Es posible que el modelo de bomba ilustrado sea diferente al producto que haya adquirido.

9. Realice las conexiones eléctricas



ADVERTENCIA: Riesgo de descarga eléctrica. Asegúrese de desconectar la corriente eléctrica antes de realizar el siguiente procedimiento.



ADVERTENCIA: Riesgo de descarga eléctrica. Conecte la bomba y el calentador en línea (si provisto) a un tomacorriente con conexión a tierra que tenga protección mediante un interruptor de circuito con pérdida a tierra (GFCI) o dispositivo de corriente residual (RCD). No retire las clavijas de conexión a tierra del enchufe. No utilice adaptadores de conexión a tierra.

NOTA: Esta etiqueta identifica el número de modelo y la capacidad nominal eléctrica de la bañera de hidromasaje que se encuentra cerca de la bomba de hidromasaje.

AVISO: La bomba (provista) y el calentador (si provisto) están equipados con un cable y un enchufe. Todo el cableado del calentador se ha realizado en fábrica. Un electricista calificado debe instalar un tomacorriente conectado a tierra, de 120 V, 15 A con protección mediante un interruptor GFCI o RCD. Este circuito no debe tener ninguna otra carga.

Cableado de la bomba

- Coloque el tomacorriente detrás de la bañera de hidromasaje y a menos de 24" (61 cm) de la bomba.
- Enchufe la bomba en este tomacorriente.

NOTA: Asegúrese de que el tubo del accionador de aire esté bien conectado a la bomba y que no esté doblado o dañado.

Cableado del calentador – Modelos "H"

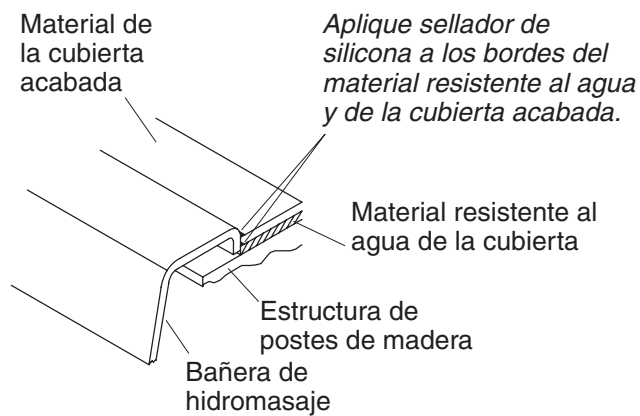
- Coloque el tomacorriente detrás de la bañera de hidromasaje y a menos de 24" (61 cm) del calentador.
- Enchufe el calentador en este tomacorriente.

10. Pruebe el funcionamiento de la bañera de hidromasaje

- Revise todas las conexiones eléctricas y asegúrese de que la bañera de hidromasaje y el calentador (de estar equipado) tengan alimentación eléctrica.
- Asegúrese de que todas las conexiones de unión de la bomba y el calentador estén bien apretadas a mano.
- Verifique que las cintas metálicas de la bomba estén cortadas (de ser pertinente) y que la bomba descansa directamente en el subpiso o la base de la bañera de hidromasaje.
- Llene la bañera de hidromasaje al menos 2" (5,1 cm) por encima del jet más alto. Consulte la sección "Verifique el funcionamiento correcto" para obtener información adicional.

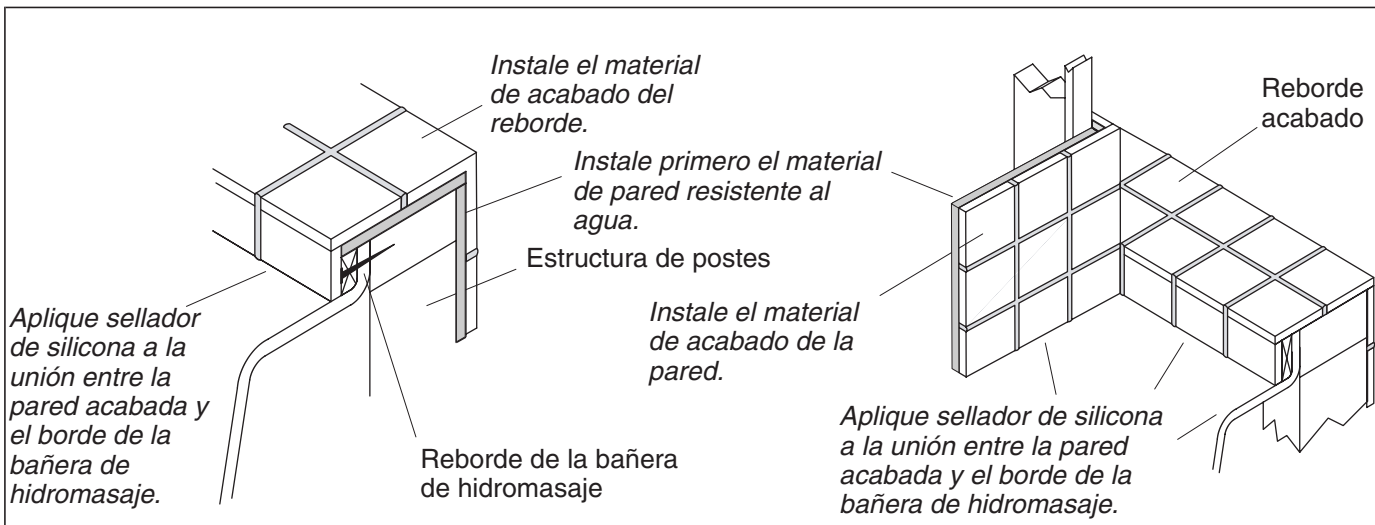
Pruebe el funcionamiento de la bañera de hidromasaje (cont.)

- Deje funcionar la bañera de hidromasaje durante 5 minutos y revise que no haya fugas en las conexiones de todas las tuberías.



11. Termine la cubierta acabada

- Retire con cuidado la cinta protectora del borde de la bañera de hidromasaje, si aún no lo ha hecho.
- Cubra la estructura con material de cubierta resistente al agua. Selle las juntas entre el borde de la bañera de hidromasaje y el material de cubierta resistente al agua con sellador de silicona.
- Adhiera el material de cubierta resistente al agua con cinta y yeso. Instale la cubierta acabada con el material de cubierta resistente al agua. Selle las juntas entre el borde de la bañera de hidromasaje y el material de la cubierta acabada con sellador de silicona.
- Instale la guarnición de la grifería según las instrucciones del fabricante.



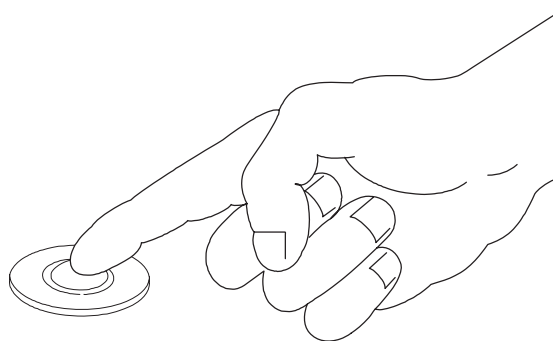
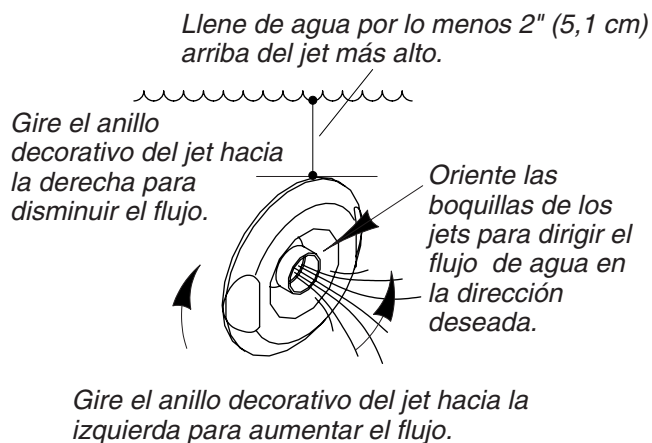
12. Termine la pared acabada

Instalación del reborde de azulejos

- Retire con cuidado la cinta protectora del borde de la bañera de hidromasaje, si aún no lo ha hecho.
- Cubra la estructura de postes de madera con material de pared resistente al agua.
- Adhiera el material de pared resistente al agua con cinta y yeso. Instale la pared acabada con el material resistente al agua.
- Selle las juntas entre el borde de la bañera de hidromasaje y el material de la pared acabada utilizando sellador de silicona.
- Instale la guarnición de la grifería conforme a las instrucciones incluidas con la guarnición.

13. Limpieza después de la instalación

- Al limpiar después de la instalación, **no utilice productos de limpieza abrasivos**, pues pueden rayar y opacar la superficie de la bañera de hidromasaje. Utilice agua tibia y detergente líquido para limpiar la superficie.
- Limpie las manchas difíciles de quitar, la pintura y el alquitrán con aguarrás o diluyente de pintura. **No permita que los productos de limpieza que contengan destilados de petróleo permanezcan en contacto con la superficie de la bañera de hidromasaje por periodos prolongados.** El yeso se puede eliminar raspando con un canto de madera. No utilice raspadores de metal, cepillos de alambre ni otras herramientas metálicas. Se puede utilizar un detergente en polvo con un trapo húmedo para proporcionar una acción abrasiva suave en los residuos de yeso.



Presione el accionador de aire para encender o apagar la bañera de hidromasaje.

14. Confirme el funcionamiento correcto

Llene la bañera de hidromasaje

- Coloque las boquillas de los jets de manera que miren hacia abajo en la bañera. Gire los anillos decorativos de los jets totalmente hacia la izquierda.
- **Llene la bañera de hidromasaje con agua al menos 2" (5,1 cm) por encima de la parte superior del jet más alto.**

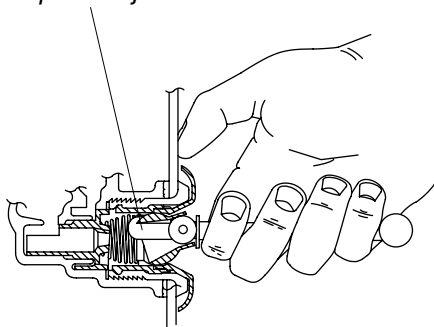
NOTA: La temperatura del agua en la bañera de hidromasaje no debe exceder de 104°F (40°C).

Secuencia de funcionamiento

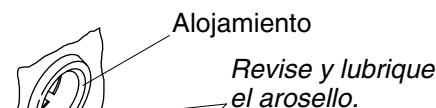
- Presione el accionador de aire para encender los jets de la bañera de hidromasaje.
- Ajuste cada jet para obtener una mezcla óptima de aire/agua. Gire el anillo decorativo hacia la derecha para reducir el flujo de aire, y hacia la izquierda para aumentarlo.
- Si está equipado con un calentador, el calentador se activará automáticamente al encenderse la bomba y se desactivará cuando se apague la bomba. El calentador no se activará si la temperatura del agua excede 104°F (40°C).
- Vuelva a oprimir el accionador de aire por segunda vez para apagar la bañera de hidromasaje.

Extraiga los jets

Inserte el gancho de la herramienta tal como se ilustra y saque el jet del alojamiento. Al realizar este paso el jet debe estar orientado hacia arriba.



Vuelva a instalar los jets



Deslice el arosello en el primer reborde del jet.

Inserte el jet en el alojamiento, empuje y gire el jet levemente hasta que encaje en su lugar.

Procedimiento para resolver problemas

AVISO: Esta sección es sólo para ayuda general. Un representante de servicio autorizado de Kohler o un electricista calificado debe resolver todos los problemas eléctricos. Para obtener servicio cubierto por la garantía, póngase en contacto con el vendedor o el distribuidor mayorista.

Extraiga los jets

NOTA: Se ha incluido una herramienta especial junto a los jets de repuesto, para extraer los jets de la bañera de hidromasaje. Esta herramienta también se incluye con cada kit de guarnición.

- Coloque la boquilla esférica del jet de manera que apunte hacia arriba.

NOTA: La boquilla debe seguir apuntando hacia arriba, de lo contrario la herramienta se resbalará.

- Inserte la herramienta de extracción con el gancho hacia arriba en la abertura del jet y enganche la parte superior en la boquilla.
- Sostenga la herramienta con fuerza y coloque el dedo pulgar contra la pared de la bañera de hidromasaje. Jale la herramienta uniformemente hasta que el montaje del jet salga del orificio. Tenga cuidado de no perder el arosello (O-ring).

Vuelva a instalar los jets

NOTA: Para permitir que el jet gire fácilmente y funcione correctamente, el arosello (O-ring) debe estar: (1) bien colocado, (2) lubricado y (3) en buenas condiciones.

- Instale el arosello (O-ring) en el **primer reborde** del jet.
- Utilice el paquete del tubo de silicona (provisto) para lubricar el arosello con el fin de evitar un funcionamiento ruidoso del jet.
- Inserte con cuidado el jet en el alojamiento, luego empuje levemente y gire el jet hasta que encaje en su lugar. **No fuerce el jet.**
- Verifique que el jet esté instalado correctamente. El jet debe girar sin problemas en ambos sentidos. Retire y vuelva a instalar, si es necesario.

Procedimiento para resolver problemas (cont.)

Síntomas	Causas probables	Acción recomendada
<p>1. La bañera de hidromasaje no se enciende/apaga.</p>	<p>A. La bomba no tiene alimentación eléctrica.</p> <p>B. Retire el panel de acceso y oprima el interruptor de aire, si no escucha un "clic", el tubo del interruptor de aire está flojo o desconectado.</p> <p>C. El tubo del interruptor de aire está pellizcado o doblado.</p> <p>D. El montaje de botones está dañado.</p> <p>E. La bomba tiene alimentación eléctrica y se escucha un "clic" cuando se oprime el interruptor de aire. La bomba no funciona.</p> <p>F. El receptor de la bomba no funciona.</p>	<p>A. Verifique que la bomba esté enchufada y que el GFCI/RCD no se haya disparado. Utilizando un multímetro o conectando en el tomacorrientes un artefacto de 110V que sepa que funcione (foco, radio, etc.), verifique que el tomacorrientes tenga alimentación eléctrica. Repare según sea necesario.</p> <p>B. Revise que el tubo del interruptor de aire esté conectado al extremo de la bomba/receptor y al interruptor de aire. Vuelva a conectar si es necesario.</p> <p>C. Ajuste el tubo para eliminar el área pellizcada/doblada. Si no se puede eliminar el área pellizcada/doblada, o no se ve ninguna sección pellizcada/doblada, perforo el tubo con una tachuela y vuelva a probar el sistema.</p> <p>D. Reemplace el montaje de botones.</p> <p>E. Reemplace la bomba.</p> <p>F. Reemplace el receptor o la bomba.</p>
<p>2. El sistema enciende pero no se queda encendido.</p>	<p>A. El receptor de la bomba no funciona.</p>	<p>A. Reemplace el receptor o la bomba.</p>
<p>3. La bañera de hidromasaje se detiene automáticamente.</p>	<p>A. La bomba se ha sobrecalentado y se han activando los dispositivos de protección.</p> <p>B. El circuito GFCI/RCD se ha disparado.</p>	<p>A. Verifique que no haya obstrucciones en las ventilaciones del motor. Verifique que no haya obstrucciones en la succión. Verifique que no haya obstrucciones en los jets. Elimine la obstrucción y deje enfriar el motor.</p> <p>B. Identifique la causa de la falla y corrija. Verifique que el GFCI/RCD no se haya disparado. Si el problema persiste, comuníquese con un electricista calificado.</p>
<p>4. El motor se enciende, pero no todos los jets funcionan.</p>	<p>A. Los jets están cerrados.</p> <p>B. Los jets están obstruidos o no es posible girar el anillo decorativo.</p> <p>C. Los jets no se han instalado correctamente.</p> <p>D. La bomba no tiene el soporte correcto y presenta cavitación.</p>	<p>A. Gire el anillo decorativo del jet hacia la izquierda para abrir/aumentar el flujo.</p> <p>B. El pegamento puede obstruir la abertura de los jets o evitar que el anillo decorativo gire. Retire el anillo decorativo y elimine el exceso de pegamento.</p> <p>C. Vuelva a instalar el jet; revise que el arosello no esté dañado.</p> <p>D. Repase las instrucciones de instalación y verifique que la bomba esté a una altura adecuada y que las cintas de la bomba (si corresponde) se hayan cortado.</p>
<p>5. Funcionamiento ruidoso de la bomba.</p>	<p>A. No se han cortado las cintas de la bomba (sólo modelos con bloques de soporte).</p>	<p>A. Utilice tijeras de chapa para cortar las cintas de la bomba.</p>

Procedimiento para resolver problemas (cont.)

Síntomas	Causas probables	Acción recomendada
6. El calentador no funciona (sólo unidades con calentador).	A. El calentador no tiene alimentación eléctrica o no está conectado a un tomacorrientes independiente de la bomba. B. La temperatura del agua es mayor que 104°F (40°C).	A. Verifique que el calentador esté conectado a un tomacorrientes independiente de la bomba y que tenga alimentación eléctrica. B. Como precaución de seguridad, el calentador no funcionará cuando la temperatura del agua sea mayor de 104°F (40°C).

USA/Canada: 1-800-4KOHLER

México: 001-877-680-1310

kohler.com

THE BOLD LOOK
OF **KOHLER**®

©2009 Kohler Co.

1010564-2-K