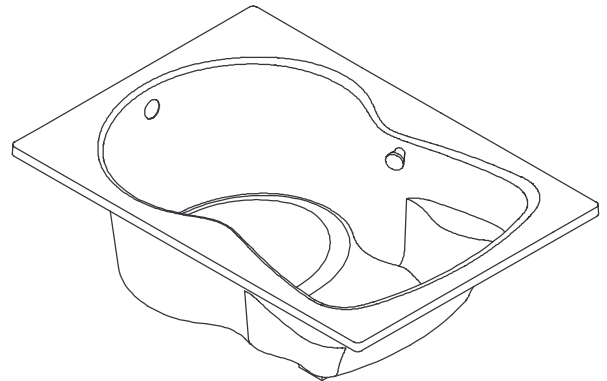


FEATURES

- 60" (152.4cm) x 42" (106.7cm) x 20" (50.8cm)
- Acrylic
- Drop-in or three wall alcove
- With (K-1197, -L/-R) or without (K-1193, -L/-R) Softgrip grip handles
- Optional K-1278 separate apron
- Optional K-1491 removable pillow

K-1193, K-1193-L/-R, K-1197, K-1197-L/-R



CODES/STANDARDS APPLICABLE

Specified model meets or exceeds the following:

- ANSI Z124.1
- IAPMO/UPC

COLORS/FINISHES

- 0 White
- Other Refer to Fixtures Price Book for additional colors

Accessories:

- CP Polished Chrome
- PB Polished Brass
- Other Refer to Price Book for additional finishes

SPECIFIED MODEL:

Model	Description	Colors/Finishes	
K-1193	Bath less Softgrip grip handles, drop-in	<input type="checkbox"/> 0 White	<input type="checkbox"/> Other _____
K-1193-L	Bath less Softgrip grip handles, left drain, integral flange	<input type="checkbox"/> 0 White	<input type="checkbox"/> Other _____
K-1193-R	Bath less Softgrip grip handles, right drain, integral flange	<input type="checkbox"/> 0 White	<input type="checkbox"/> Other _____
K-1197	Bath with Softgrip grip handles, drop-in (shown)	<input type="checkbox"/> 0 White	<input type="checkbox"/> Other _____
K-1197-L	Bath with Softgrip grip handles, left drain, integral flange	<input type="checkbox"/> 0 White	<input type="checkbox"/> Other _____
K-1197-R	Bath with Softgrip grip handles, right drain, integral flange	<input type="checkbox"/> 0 White	<input type="checkbox"/> Other _____

Recommended Accessories			
K-7161-AF	Drain	<input type="checkbox"/> CP	<input type="checkbox"/> PB <input type="checkbox"/> Other _____

Optional Accessories			
K-1278	Separate apron with removable panel for front access	<input type="checkbox"/> 0 White	<input type="checkbox"/> Other _____
K-1491	Pillow	<input type="checkbox"/> 0 White	<input type="checkbox"/> Other _____

PRODUCT SPECIFICATION:

The bath shall be 60" (152.4cm) in length, 42" (106.7cm) in width, and 20" (50.8cm) in height. Bath shall be made of acrylic, drop-in or three wall alcove installation. Bath shall be with (K-1197, -L/-R) or without (K-1193, -L/-R) Softgrip grip handles. Bath shall have optional K-1278 separate apron. Bath shall be Kohler Model K-_____-_____-_____.

SYNCHRONY™

PRODUCT INFORMATION

Fixture*:	basin area	top area	weight
Bathing well	42" (106.7cm) x 25" (63.5cm)	52" (132.1cm) x 34" (86.4cm)	75 lbs. (34.0kg)
	water depth	capacity	
To overflow	14" (35.6cm)	63 gal. (238.5L)	

* Approximate measurements for comparison only.

INSTALLATION NOTES

Install this product according to the installation guide.

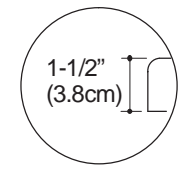
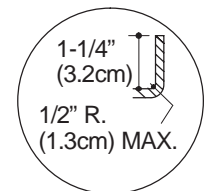
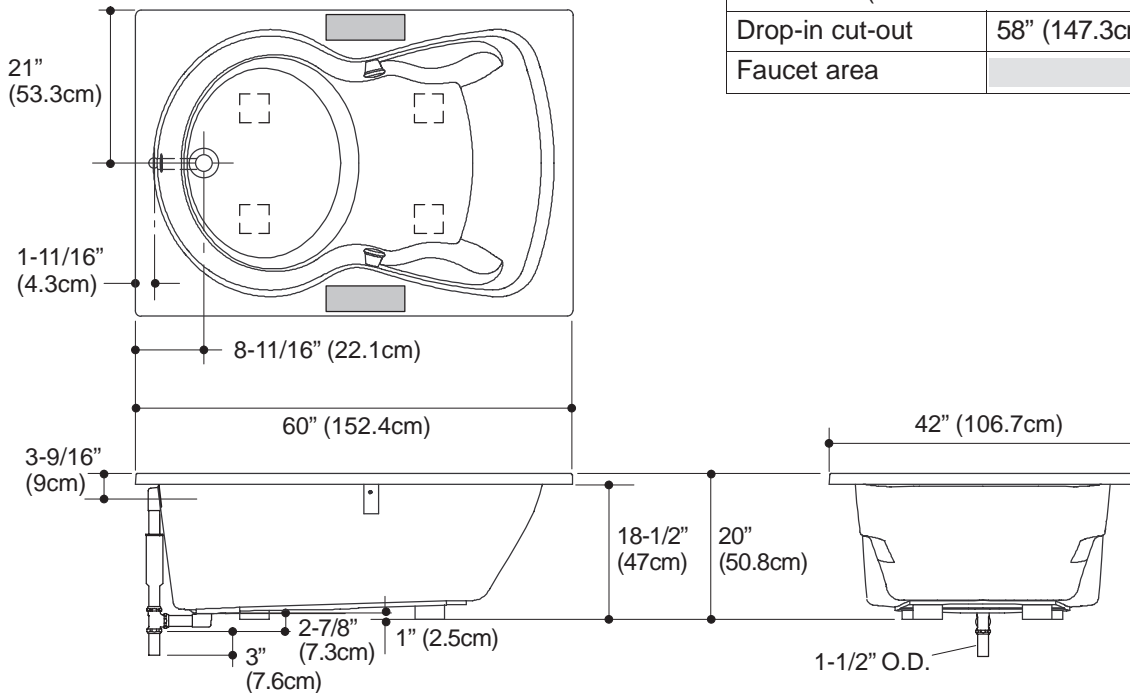
Floor support under bath must provide for a minimum of 80 lbs./square foot (390 Kg./square meter) loading.

If installing a rim-mount faucet, make sure there is no interference with drain overflow before drilling any holes. Consult local and national codes for minimum air gap requirements if installing a spout on the faucet deck.

The apron must be installed before the finish floor and wall materials are installed.

No change in measurements if connected with drain illustrated. (K-7161-AF or K-7161M-AF)

Drop-in cut-out	58" (147.3cm) x 40" (101.6cm)
Faucet area	recommended



PRODUCT DIAGRAM