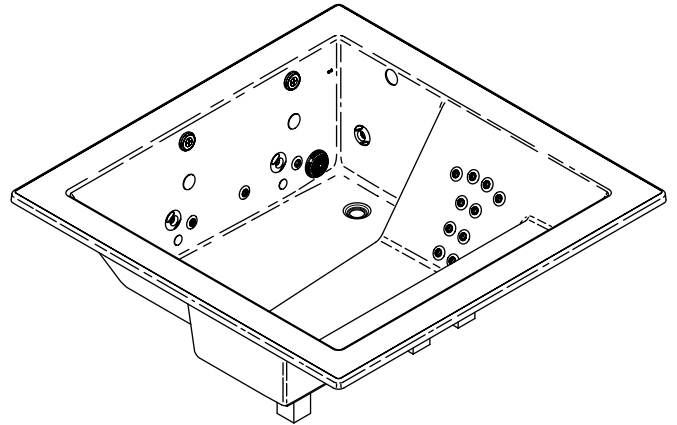


WHIRLPOOL K-1111-VLN

Features

- Acrylic
- For corner installation
- 6 Flexjets™
- 8 effervescence ports
- 4 chromatherapy lights
- Two pillows
- Two 2 hp variable speed pumps with two 1.5 kW heaters
- Two back-lit user controls
- Two remote controls
- 20 color-matched sequencing Bodyssage™ backjets
- 69-1/4" (175.9 cm) x 69-1/4" (175.9 cm) x 24" (61 cm)



Codes/Standards Applicable

Specified model meets or exceeds the following:

- ANSI Z124.1
- Underwriter's Laboratories (UL)
- IAPMO/UPC
- ASME A112.19.7M

Colors/Finishes

- 0: White
- Other: Refer to Price Book for additional colors/finishes

Accessories:

- CP: Polished Chrome
- PB: Polished Brass
- Other: Refer to Price Book for additional colors/finishes
- NA: None applicable

Specified Model

Model	Description	Colors/Finishes		
K-1111-VLN	Whirlpool	<input type="checkbox"/> 0	<input type="checkbox"/> Other_____	
Required Accessory				
K-9696	Trim Kit	<input type="checkbox"/> CP	<input type="checkbox"/> PB	<input type="checkbox"/> Other_____
Recommended Accessory				
K-7167	Drain	<input type="checkbox"/> CP	<input type="checkbox"/> PB	<input type="checkbox"/> Other_____
Optional Accessories				
K-588-NA	Undermount Kit			
K-1601	Footstop	<input type="checkbox"/> 0	<input type="checkbox"/> Other_____	

Product Specification:

The whirlpool with color-matched trim shall be 69-1/4" (175.9 cm) in length, 69-1/4" (175.9 cm) in width, and 24" (61 cm) in height. Whirlpool shall be made of acrylic. Whirlpool shall have two 2 hp variable speed pumps with two 1.5 kW heaters. Whirlpool shall have two back-lit user controls and two remote controls. Whirlpool shall have twenty color-matched sequencing Bodyssage™ backjets, 6 Flexjets™, 8 effervescence ports, and 4 chromatherapy lights. Product shall include two pillows. Whirlpool shall be Kohler Model K-1111-VLN-_____.

CONSONANCE™

Technical Information

Fixture:*	basin area	top area
Bathing well	45" (114.3 cm) x 43" (109.2 cm)	57" (144.8 cm) x 57" (144.8 cm)
	water depth	capacity
To overflow	19-1/2" (49.5 cm)	170 gal. (643.5 L)
Weight	340 lbs. (154.2 kg)	
* Approximate measurements for comparison only.		

Pump: (Qty. 2)	Heater	Voltage	Frequency	Amps
2 hp	1.5 kW	220/240 V	50/60 Hz	15 A

Required Electrical Service (2)

Two dedicated circuits required, each protected with Class A Ground-Fault Circuit-Interrupter (GFCI) or Earth-Leakage Circuit-Breaker (ELCB):	
Pump/control/heater	220/240 V, 20 A, 50/60 Hz
Pump/control/heater	220/240 V, 20 A, 50/60 Hz

Installation Notes

Install this product according to the installation guide.

Two separate 240 V electrical services required; one for each of pump/control/heater.

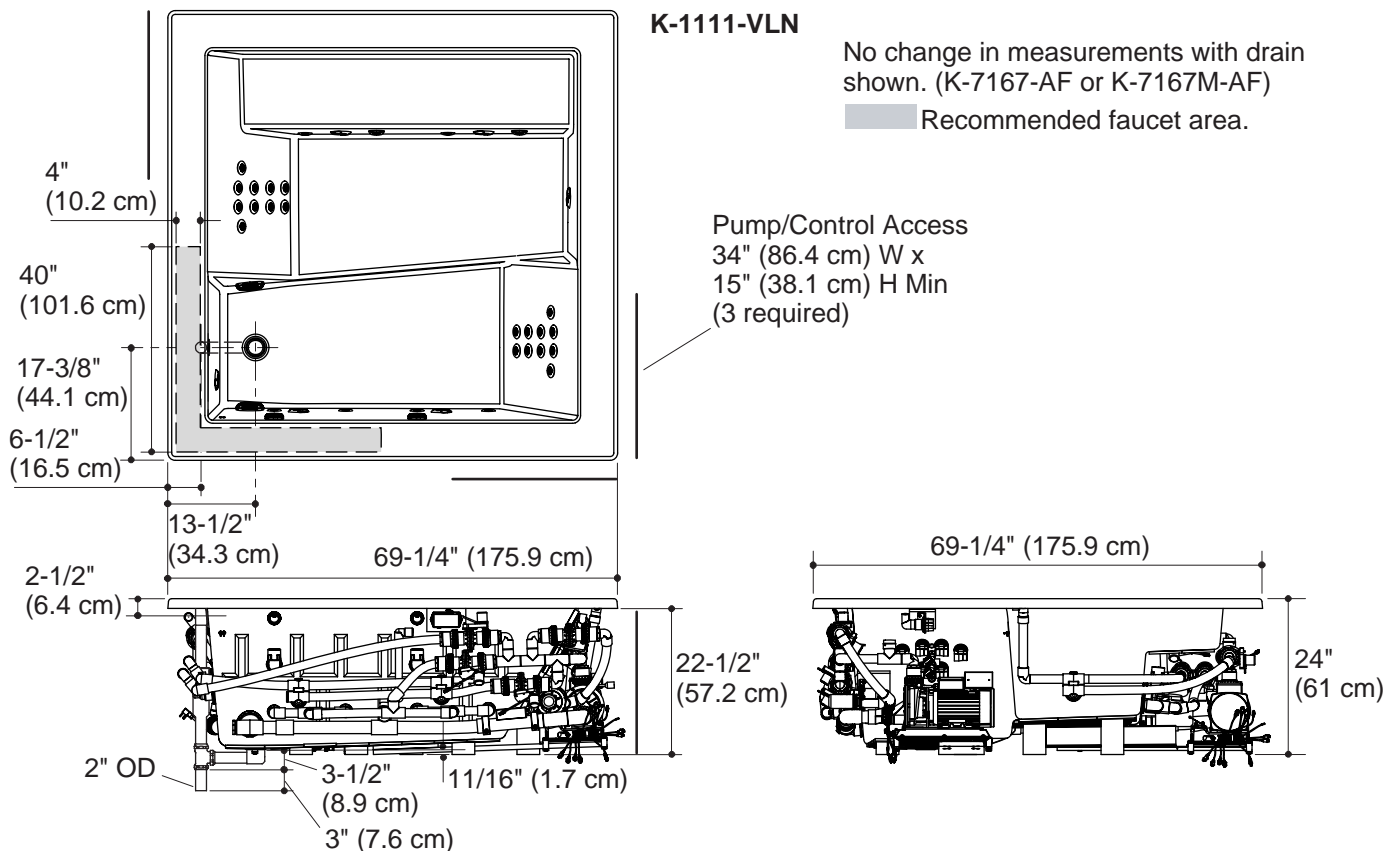
Floor support under whirlpool must provide for a minimum of 2500 lbs. (1134 kg).

Three access panels for each pump/control/heater are required. The minimum dimension should be 34" (86.4 cm) wide by 15" (38.1 cm) high.

The drop-in cut-out dimension should be 68" (172.7 cm) by 68" (172.7 cm). Use the K-588-NA undermount kit for undermount installations.

Hot water supply should be 70% of capacity or greater. Installations will vary.

If installing a rim mount faucet, make sure there is no interference with drain overflow and the circulating system before drilling any holes. Consult local and national codes for minimum air gap requirements if installing a spout on the faucet deck.



Product Diagram