

Features

- Acrylic
- Rectangular shape
- Integral apron with removable access panel
- 1.25 hp pump with air switch and grounding-type plug-in cord
- 6 individually adjustable ProFlex® hydro-massage jets
- Molded lumbar supports and armrests
- In-line heater

Codes/Standards Applicable

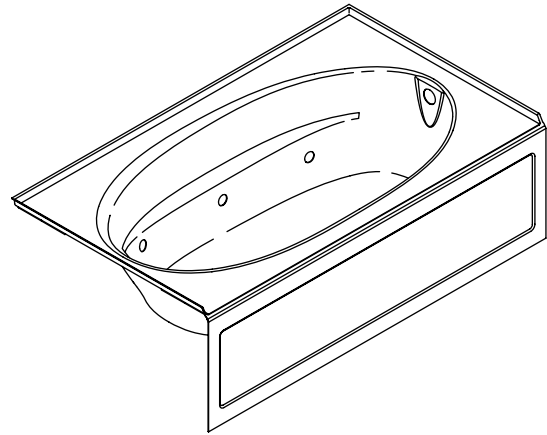
Specified model meets or exceeds the following:

- IAPMO/UPC
- Underwriter's Laboratories (UL)
- ANSI Z124.1
- ASME A112.19.7M

BATH WHIRLPOOL WITH INTEGRAL APRON AND HEATER

K-1114-HL

ALSO K-1114-HR



Colors/Finishes

- 0: White
- Other: Refer to Price Book for additional colors/finishes

Accessories:

- CP: Polished Chrome
- Other: Refer to Price Book for additional colors/finishes

Specified Model

Model	Description	Colors/Finishes	
K-1114-HL	Bath whirlpool with integral apron, left drain (not shown)	<input type="checkbox"/> 0	<input type="checkbox"/> Other_____
K-1114-HR	Bath whirlpool with integral apron, right drain (shown)	<input type="checkbox"/> 0	<input type="checkbox"/> Other_____
Recommended Accessory			
K-11677	Drain OR	<input type="checkbox"/> CP	<input type="checkbox"/> Other_____
K-7166	Drain	<input type="checkbox"/> CP	<input type="checkbox"/> Other_____
Optional Accessories			
K-9696	Jet trim kit (metal finishes)	<input type="checkbox"/> CP	<input type="checkbox"/> Other_____

Product Specification

The rectangular bath whirlpool shall be 72" (182.9 cm) in length, 42" (106.7 cm) in width, and 21" (53.3 cm) in height. Bath shall feature an integral apron with removable access panel. Bath whirlpool shall be made of acrylic. Bath whirlpool shall have 6 individually adjustable ProFlex hydro-massage jets and a 1.25 hp pump with air switch and grounding-type plug-in cord, and in-line heater. Bath whirlpool shall have molded lumbar support and armrests. Bath whirlpool shall be Kohler Model K-1114-____-____.

WINDWARD™

Technical Information

Fixture*:	basin area	top area	weight
Bathing well	55" (139.7 cm) x 23-1/4" (59.1 cm)	64" 162.6 cm) x 32" (81.3 cm)	149 lbs (68 kg)
	water depth	capacity	
To overflow	15" (38.1 cm)	78.5 gal (297 L)	

* Approximate measurements for comparison only.

Pump:	Hp	V	Hz	A
1-speed	1.25	120	60	7.5
Heater:	kW	V	Hz	A
	1.5	120	60	12.5

Minimum access panel pump/control:
20" (50.8 cm) W x 15" (38.1 cm) H required

Required Electrical Service (2 required)

Two dedicated circuits required, both protected with a Class A Ground-Fault Circuit-Interrupter (GFCI):	
Pump/control	120 V, 15 A, 60 Hz
Heater	120 V, 15 A, 60 Hz
Locate the outlets behind the whirlpool and within 24" (61 cm) of the pump and, if supplied, heater.	

Installation Notes

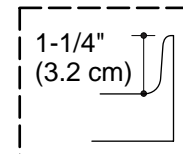
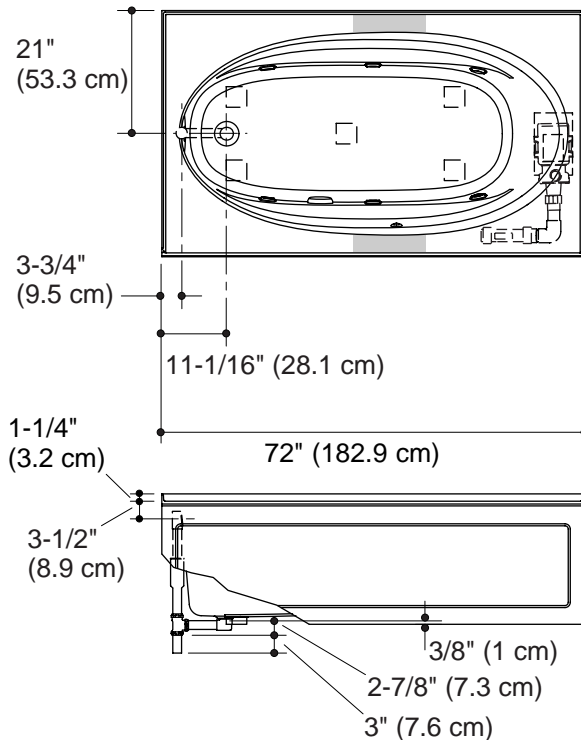
Install this product according to the installation guide.

Floor support under the whirlpool must provide for a minimum of 80 lbs/square foot (390 kg/square meter) loading.

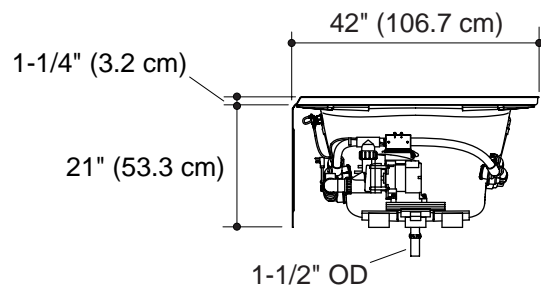
If installing a rim-mount faucet, make sure there is no interference with the drain overflow and circulating system before drilling any holes. Consult local and national codes for minimum air gap requirements if installing a spout on the faucet deck.

No change in measurements if connected with drain illustrated. (K-11677 or K-11677M)

 Recommended faucet area



Tile Flange Detail



Product Diagram

WINDWARD™ BATH WHIRLPOOL WITH INTEGRAL APRON AND HEATER

Page 2 of 2
1047225-4-B

THE BOLD LOOK
OF **KOHLER**