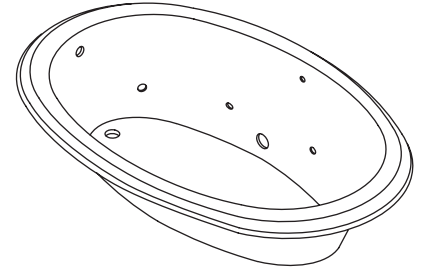


PROFLEX™ 6040 OVAL

ACRYLIC BATH WHIRLPOOL K-1146

Features

- Acrylic
- Oval shape
- Drop-in
- 6 individually adjustable ProFlex™ hydro-massage jets
- 1-1/4 HP pump with air switch and cord with plug
- Molded lumbar supports and armrests
- UL listed
- Optional K-9696 whirlpool trim kit in various finishes
- Optional K-1639 timer kit
- 60" (152.4 cm) x 40" (101.6 cm) x 17-5/8" (44.8 cm)



Codes/Standards Applicable

Specified model meets or exceeds the following:

- ASME A112.19.7
- ANSI Z124.1
- IAPMO/UPC
- Underwriter's Laboratories (UL)
- Listed in State of Massachusetts

Colors/Finishes

- 0: White
- Other: Refer to Price Book for additional colors/finishes

Accessories:

- CP: Polished Chrome
- PB: Polished Brass
- Other: Refer to Price Book for additional colors/finishes
- NA: Not applicable

Specified Model

| Model | Description | Colors/Finishes | | |
|-----------------------|-------------------------------|----------------------------------|-------------------------------------|-------------------------------------|
| K-1146 | Whirlpool, drop-in (shown) | <input type="checkbox"/> 0 White | <input type="checkbox"/> Other_____ | |
| Recommended Accessory | | | | |
| K-11677 | Drain | <input type="checkbox"/> CP | | |
| Optional Accessories | | | | |
| K-9696 | Jet trim kit (Metal finishes) | <input type="checkbox"/> CP | <input type="checkbox"/> PB | <input type="checkbox"/> Other_____ |
| K-1639 | Timer Kit | <input type="checkbox"/> NA | | |

Product Specification:

The oval shaped bath whirlpool shall be 60" (152.4 cm) in length, 40" (101.6 cm) in width, and 17-5/8" (44.8 cm) in height. Drop-in bath whirlpool shall be made of acrylic. Bath whirlpool shall have 6 individually adjustable ProFlex hydro-massage jets, 1-1/4 HP pump with air switch and cord with plug. Bath whirlpool shall have molded lumbar supports and armrests. Bath whirlpool shall be UL listed. Bath whirlpool shall have optional K-9696 trim kit. Bath whirlpool shall have optional K-1639 timer kit. Bath whirlpool shall be Kohler Model K-1146-_____.

PROFLEX™ 6040 OVAL

Technical Information

| Fixture:* | basin area | top area | weight |
|---|--------------------------------|--------------------------------|-------------------|
| Bathing well | 46" (116.8 cm) x 19" (48.3 cm) | 55" (139.7 cm) x 29" (73.7 cm) | 56 lbs. (25.4 kg) |
| To overflow | 14" (35.6 cm) | 54 gal. (204.4 L) | |
| * Approximate measurements for comparison only. | | | |

| Pump: | HP | V | Hz | A |
|---------|-------|-----|----|-----|
| 1-speed | 1-1/4 | 120 | 60 | 7.5 |

| Included Components: | |
|----------------------|----------|
| Cut-out template | 114859-7 |

Required Electrical Service

| | |
|---|--------------------|
| Dedicated circuit required, protected with Class A Ground-Fault Circuit-Interrupter (GFCI): | |
| Pump/control | 120 V, 15 A, 60 Hz |
| Locate the outlet behind the whirlpool and within 24" (61 cm) of the pump. | |

Installation Notes

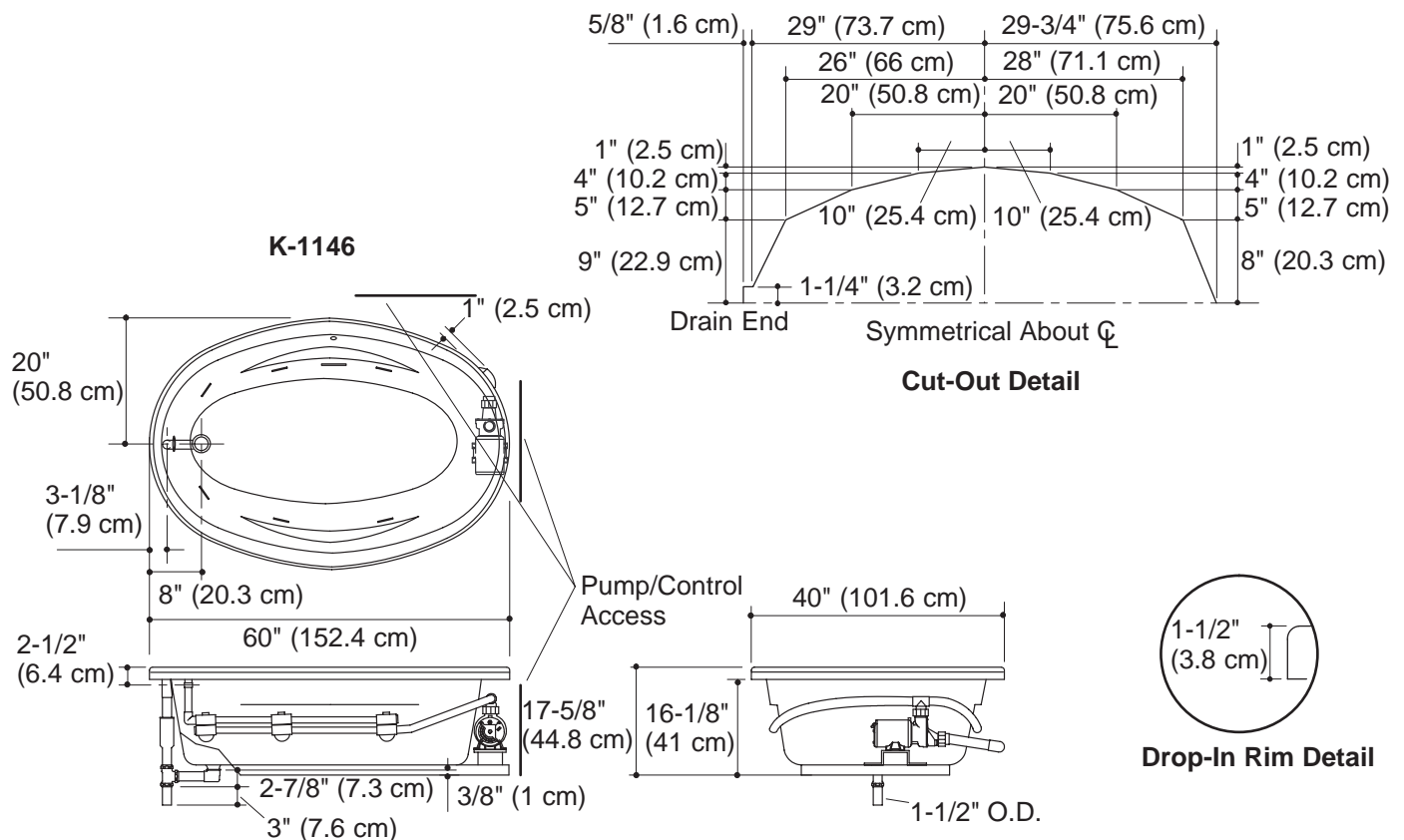
Install this product according to the installation guide.

Floor support under whirlpool must provide for a minimum of 80 lbs./square foot (390 kg/square meter) loading.

The suction line extends 1" (2.5 cm) beyond the edge of the rim. The pump base extends 1-1/8" (2.9 cm) beyond the edge of the rim. Modify the framing as needed.

No change in measurements is required if the unit is connected with the K-11677 or K-11677M drain as illustrated.

A minimum access panel is required as illustrated. This should be 20" (50.8 cm) wide and 15" (38.1 cm) high. Locate the access panel at the pump location



Product Diagram