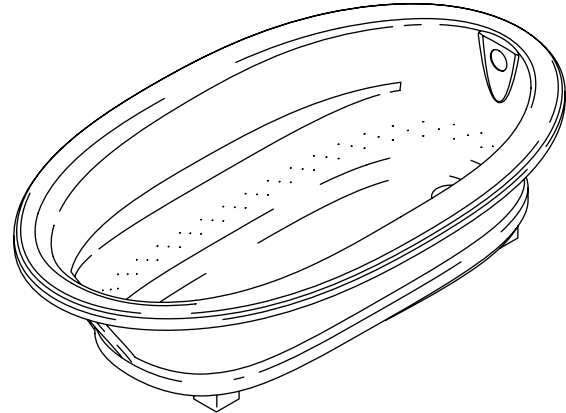


BUBBLEMASSAGE™ BATH K-1164-G

Features

- Acrylic
- Oval shape
- Drop-in
- 120 BubbleMassage™ airjets
- Blower motor with 300 W heater and electronic back-lit user control
- Blower motor is supplied with a grounding-type plug-in cord
- Molded lumbar supports and armrests
- 72" (182.9 cm) x 42" (106.7 cm) x 21" (53.3 cm)



Codes/Standards Applicable

Specified model meets or exceeds the following:

- ANSI Z124.1.2
- IAPMO IGC 171
- UL 1795

Colors/Finishes

- 0: White
- Other: Refer to Price Book for additional colors/finishes

Accessories

- CP: Polished Chrome
- PB: Vibrant® Polished Brass
- NA: None applicable

Specified Model

Model	Description	Colors/Finishes	
K-1164-G	Bubblemassage bath	<input type="checkbox"/> 0	<input type="checkbox"/> Other _____
Recommended Accessories			
K-11677	Swiftflo™ adjustable trip lever drain	<input type="checkbox"/> CP	<input type="checkbox"/> PB
Optional Accessories			
K-577	Undermount kit	<input type="checkbox"/> NA	

Product Specification

The acrylic drop-in bath with airjets shall be 72" (182.9 cm) in length, 42" (106.7 cm) in width, and 21" (53.3 cm) in height. Product shall have a blower motor with 300 W heater and an electronic back-lit user control. Blower motor shall have a grounding-type plug-in cord. Product shall have 120 BubbleMassage airjets and molded lumbar supports and armrests. Product shall feature an oval shape. Bath shall be Kohler Model K-1164-G-_____.

SUNWARD®

Technical Information

Fixture*:	
Bathing well;	
Basin area, bottom	55-1/4" (140.3 cm) x 23-1/2" (59.7 cm)
Basin area, top	64-1/2" (163.8 cm) x 32" (81.3 cm)
Weight	112 lbs (50.9 kg)
To overflow:	
Water depth	15" (38.1 cm)
Capacity	75 gal (284.1 L)
* Approximate measurements for comparison only.	

Included components:	
Cut-out template	1042557-7

Blower motor	Heater	V	Hz	A
	300 W	120	60	5

Minimum access panel blower motor:	
20" (50.8 cm) W x 15" (38.1 cm) H	required

Required Electrical Service

Dedicated circuit required, protected with a Class A Ground-Fault Circuit-Interrupter (GFCI):	
Pump/control	120 V, 5 A, 60 Hz
Locate the outlet behind the bath and within 24" (61 cm) of the blower.	

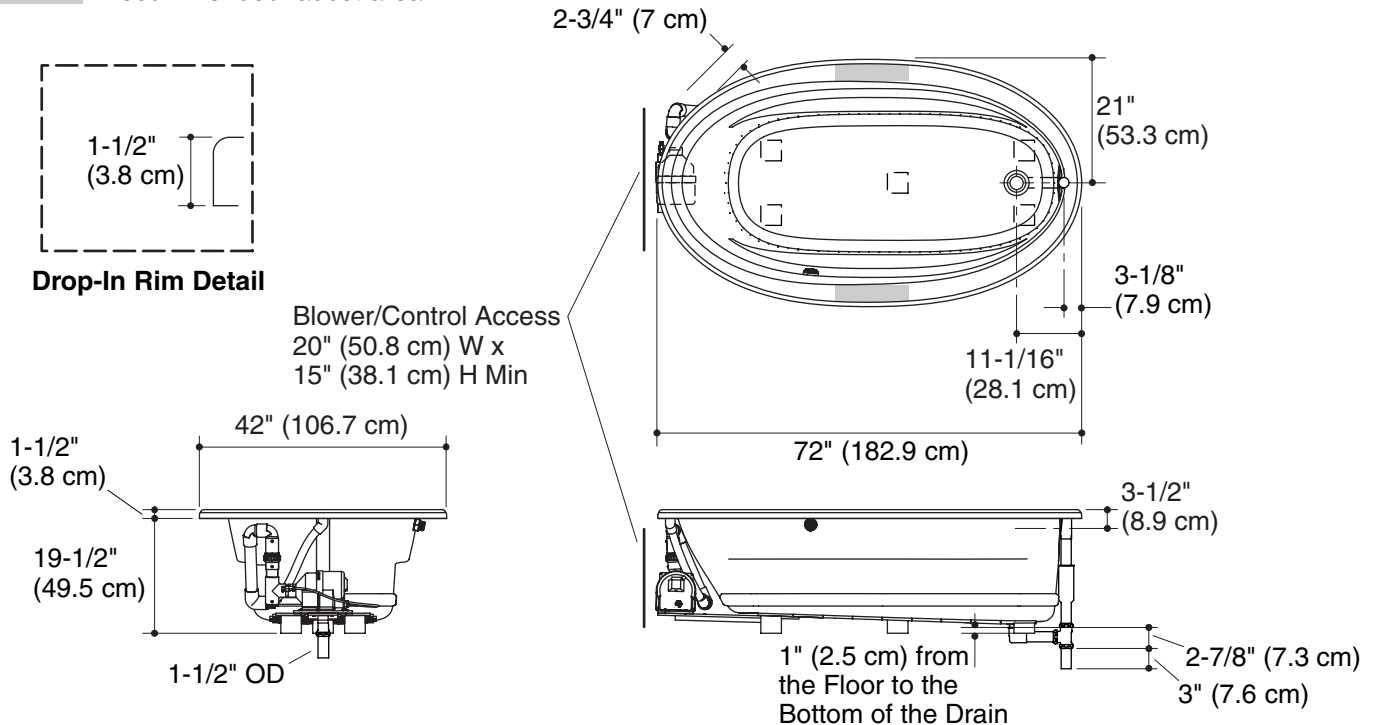
Installation Notes

Install this product according to the installation guide.

Floor support under bath must provide for a minimum of 37 lbs/square foot (178 kg/square meter) loading.

No change in measurements if connected with drain illustrated. (K-11677 or K-11677M)

Recommended faucet area



Product Diagram