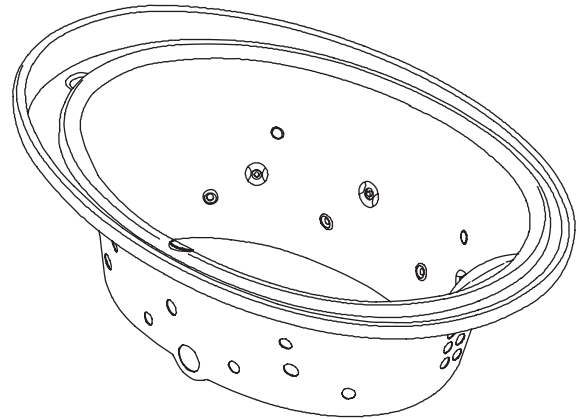


BATH WHIRLPOOL WITH SPA/MASSAGE PACKAGE K-1110-V

Features

- Acrylic
- Variable speed pump with 1.5 kW heater, back-lit user keypad and remote control
- 6 Flexjets™
- Ten color-matched sequencing Bodyssage™ backjets
- Two pulsating neckjets with pillow
- 8 effervescent ports
- 4 chromatherapy lights
- Overflows into horizontal overflow drain for maximum bathing depth
- Coordinates with the Purist® Suite
- Deep bathing well 19-1/4" (48.9 cm)
- 72" (182.9 cm) x 46" (116.8 cm) x 23-3/16" (58.9 cm)



Codes/Standards Applicable

Specified model meets or exceeds the following:

- ANSI Z124.1.2
- ASME A112.19.7M
- UL 1795

Colors/Finishes

- 0: White
- Other: Refer to Price Book for additional colors/finishes

Accessories

- 0: White
- CP: Polished Chrome
- Other: Refer to Price Book for additional colors/finishes

Specified Model

Model	Description	Colors/Finishes	
K-1110-V	Bath whirlpool with Spa/Massage Package	<input type="checkbox"/> 0	<input type="checkbox"/> Other_____
Required Accessories			
K-7273	Clearflo horizontal overflow bath drain	<input type="checkbox"/> CP	<input type="checkbox"/> Other_____
Optional Accessories			
K-1601	Footstop	<input type="checkbox"/> 0	<input type="checkbox"/> Other_____

Product Specification

The acrylic bath whirlpool shall be 72" (182.9 cm) in length, 46" (116.8 cm) in width, and 23-3/16" (58.9 cm) in height. Product shall have a variable speed pump with 1.5 kW heater, back-lit user keypad, and remote control. Product shall feature 6 Flexjets, 8 effervescence ports, 4 chromatherapy lights, ten color-matched sequencing Bodyssage backjets, and two pulsating neckjets with pillow. Product shall overflow into a horizontal overflow drain for maximum bathing depth. Product shall have a 19-1/4" (48.9 cm) deep bathing well. Product shall coordinate with Purist Suite. Bath whirlpool shall be Kohler Model K-1110-V-_____.

PURIST®

Technical Information

Fixture:*	
Bathing well:	
Basin area, bottom	45" (114.3 cm) x 25-1/2" (64.8 cm)
Basin area, top	63" (160 cm) x 31-1/2" (80 cm)
Weight	160 lbs (72.6 kg)
To overflow:	
Water depth to rim	19-1/4" (48.9 cm)
Capacity	96 gal (363.4 L)
* Approximate measurements for comparison only.	

Included components:	
Cut-out template	1016369-7

Pump	Heater	V	Hz	A
	1.5 kW	240	50/60	15

Required Electrical Service

Dedicated circuit required, protected with Class A Ground-Fault Circuit-Interrupter (GFCI) or Residual Current Device (RCD):	
Pump/control	220-240 V, 20 A, 50/60 Hz

Installation Notes

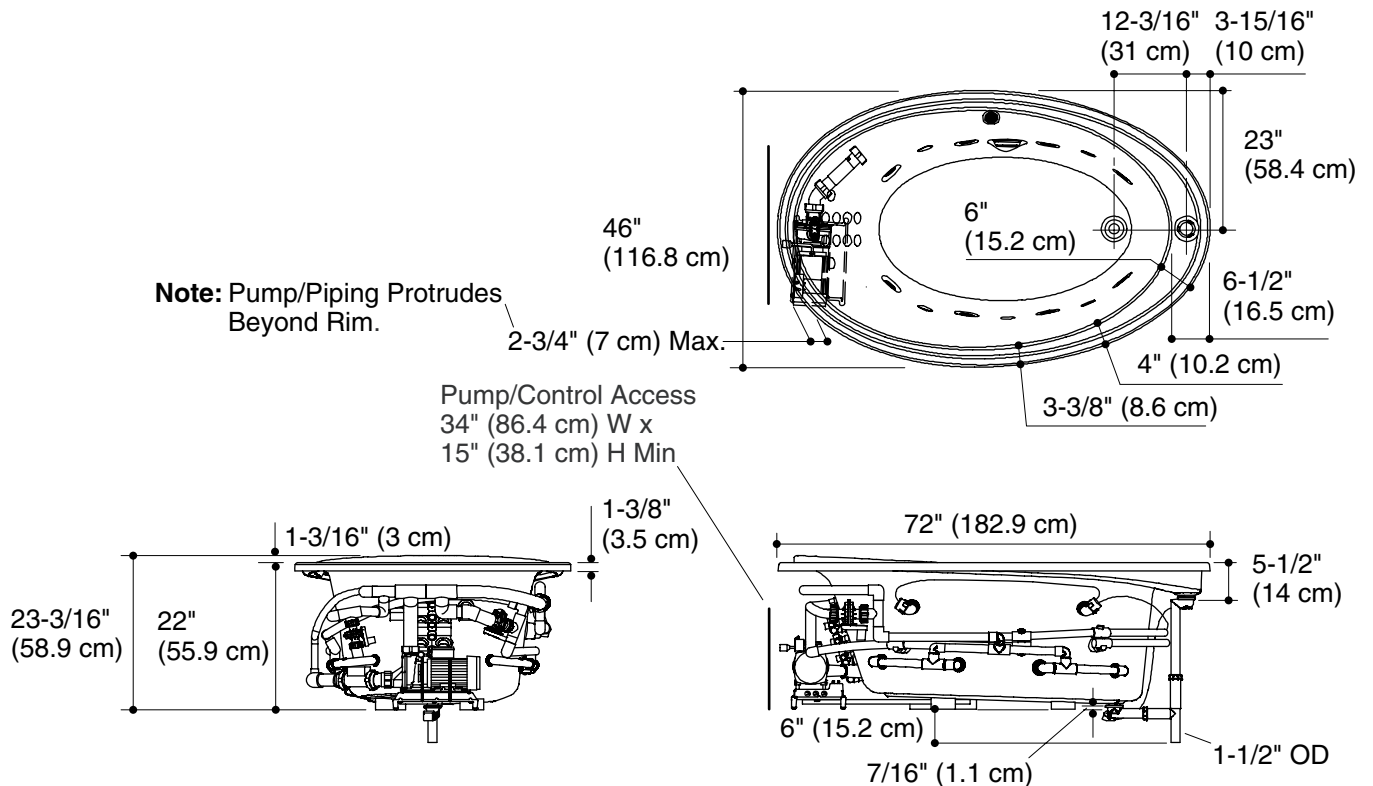
Install this product according to the installation guide.

Pump/piping protrudes beyond rim (see below).

Floor support under whirlpool must provide a minimum of 43 lbs/square foot (210 kg/square meter) loading.

Hot water supply should be 70% of capacity or greater. Installations will vary.

No change in measurements with drain illustrated. (K-7273)



Product Diagram